

PRODUKTKATALOG

OPPDRETTSTUTSTYR • FISKEREDSKAP • SELSTADTAU • FLÅTESTASJON • INDUSTRI & OFFSHORE

www.selstad.no

Leverandør til maritim næring

SELSTAD



LEVERANDØR TIL MARITIM NÆRING

Selstad AS er en internasjonal leverandør av kompetanse og utstyr til maritime næringer, og blant våre hovedprioriteter setter vi kvalitet, god service og innovasjon. Med over 60 år i drift, kan vi levere kvalitetsprodukter som er basert på vår lange erfaring og gode kunnskap innen samtlige av våre fagområder. Selstads forretningsområder er oppdrettsutstyr, fiskeredskaper, tauproduksjon, sikkerhetsutstyr og utstyr til industri og offshore, og vår spisskompetanse ligger spesielt innen oppdrettsutstyr og fiskeredskaper. Vi har hele veien fokus på kvalitet og service, og jobber alltid for å kunne levere solide og bærekraftige produkter. Innovasjon står også sentralt hos oss i Selstad, og vi jobber alltid mot å finne de beste løsningene for våre kunder. Gjennom vår dyptgående kompetanse, gode markedskontakt og vårt velutbygde og effektive distribusjonsnett, jobber vi for å skape lønnsomhet og fremdrift i den maritime næringen. Våre avdelinger og datterselskaper er strategisk plasserte for å kunne være til stede og stå klare til å dekke våre kunders behov. For å kunne tilby optimale produkter og tjenester har vi også tilknyttede selskaper i India, Canada, Island og Sør-Afrika, og samarbeidspartnere i Russland, Frankrike, Holland og Skottland.



MÅLØY HOVEDKONTOR

Moldøen
PB 163, 6701 Måløy
T: +47 57 85 25 00

AVD. ANDENES

Hamnegsta 69
8480 Andenes
T: +47 76 14 71 84

AVD. HJELLSKJÆRET

Verftsgata 9
8300 Svolvær
T: +47 76 07 17 75

AVD. SOLUND

6927 Ytrøygrend
T: +47 57 78 78 00

AVD. TROMSØ

Terminalgata 85
9019 Tromsø
T: +47 77 60 22 00

AVD. LNT

Gunnar Bergs vei 26
PB 16, 8301 Svolvær
T: +47 76 07 14 99

AVD. FRØYA

Frøya Næringspark, Nettet
7270 Dyrvik
T: +47 917 95 842

SELSTAD SOTRA AS

Valavegen 99
5355 Knarrevik
T: +47 930 71 123

AVD. SENJAHOPEN

9386 Senjahopen
T: +47 930 11 765

AVD. SVOLVÆR

Avisgata 1
PB 16, 8301 Svolvær
T: +47 76 06 89 80

AVD. ÅLESUND

Kjøpmannsgata 39
6005 Ålesund
T: +47 70 11 85 80

SELSTAD NORDTRAWL AS

Notkaien, Postboks 109
9990 Skagen, Danmark
T: +45 984 42 444



INNHOOLD

Sjakler	3
Kroker	31
Taljer, blokker og vinsjer	63
Kjetting og kjettinglås	81
Wire, socket og talurit	97
Andre jernvarer	135
Verktøy	175
Tau	189
Oppdrift	219
Nett	233
Oppdrettsutstyr	247
Fiskeredskap og utstyr	261
Redningsutstyr	295
Arbeidsklær og verneutstyr	305
Service og tjenester	317
Index	322



SJAKLER

H-SJAKLER S. 4

D-SJAKLER S. 10

KENTER SJAKKEL S. 19

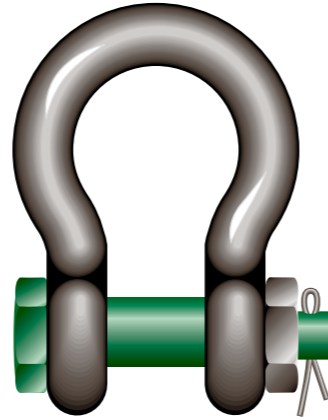
FORTØYNINGSSJAKLER S. 20

DIVERSE SJAKLER S. 22

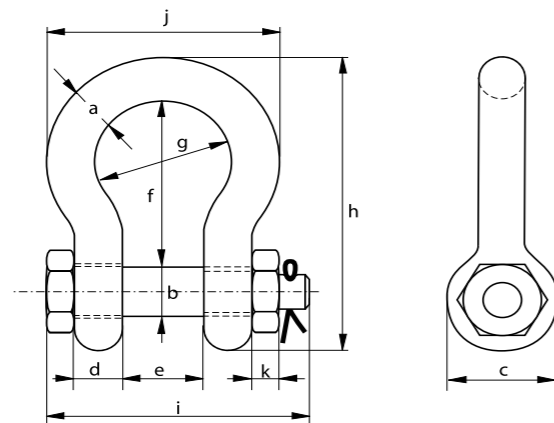
**GREENPIN SJAKKEL, BOLT OG MUTTER**

Greenpin shackle, bow with safety bolt

- Material: bow and pin high tensile steel, Grade 6, quenched and tempered
- Safety Factor: MBL equals 6 x WLL
- Standard: EN 13889 and meets performance requirements of US Fed. Spec. RR-C-271 Type IVA Class 3, Grade A
- Finish: hot dipped galvanized
- Temperature Range : -20°C up to +200°C

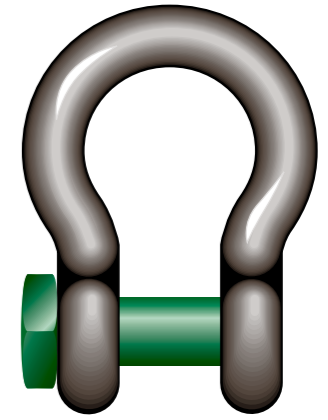


VARE NR	DIM SIZE	WLL											VEKT
PART NO	TOMMER INCH	6 : 1 T	A MM	B MM	C MM	E MM	F MM	G MM	H MM	I MM	J MM	K MM	WEIGHT KG
7525HGP05	1/4"	0.5	7	8	16.5	12	29	20	48.5	42	34	4	0.06
7525HGP09	5/16"	0.75	9	10	20	13.5	32	22	56	50	40	5	0.11
7525HGP11	7/16"	1.5	11	13	26.5	19	43	29	74	67	51	11	0.22
7525HGP13	1/2"	2	13.5	16	34	22	51	32	89	82	58	13	0.42
7525HGP16	5/8"	3.25	16	19	40	27	64	43	110	98	75	17	0.74
7525HGP19	3/4"	4.75	19	22	46	31	76	51	129	114	89	19	1.18
7525HGP22	7/8"	6.5	22	25	52	36	83	58	144	130	102	22	1.77
7525HGP25	1"	8.5	25	28	59	43	95	68	164	150	118	25	2.58
7525HGP44	1 1/8"	9.5	28	32	66	47	108	75	185	166	131	27	3.66
7525HGP32	1 1/4"	12	32	35	72	51	115	83	201	178	147	30	4.91
7525HGP38	1 3/8"	13.5	35	38	80	57	133	92	227	197	162	33	6.54
7525HGP46	1 1/2"	17	38	42	88	60	146	99	249	202	175	19	8.19
7525HGP48	1 3/4"	25	45	50	103	74	178	126	300	249	216	23	14.22
7525HGP55	2"	35	50	57	111	83	197	138	331	269	238	26	19.85
7525HGP59	2 1/4"	42.5	57	65	130	95	222	160	377	301	274	29	28.33
7525HGP60	2 1/2"	55	65	70	145	105	260	180	433	330	310	32	39.59
7524HGP86	3"	85	75	83	162	127	329	190	527	380	340	39	62

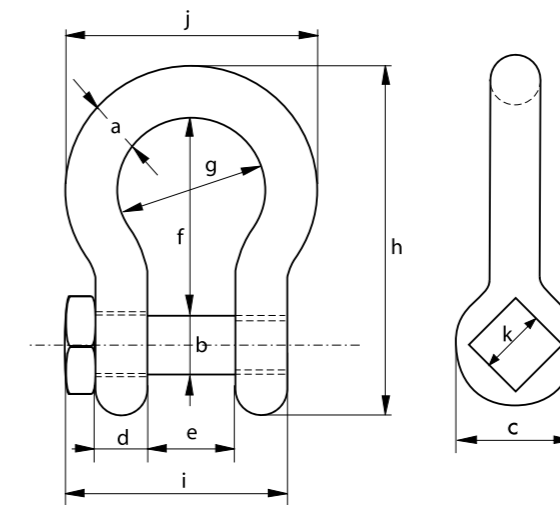
**GREENPIN SJAKKEL, FIRKANT**

Greenpin shackle, bow with square headed screw pin

- Material: bow and pin high tensile steel, Grade 6, quenched and tempered
- Safety Factor: MBL equals 6 x WLL
- Standard: EN 13889 and meets performance requirements of US Fed. Spec. RR-C-271, Grade A
- Finish: hot dipped galvanized
- Certification: at no extra charges this product can be supplied with a works certificate, 3.1 material certificate, manufacturer test certificate and/or EC Declaration of Conformity

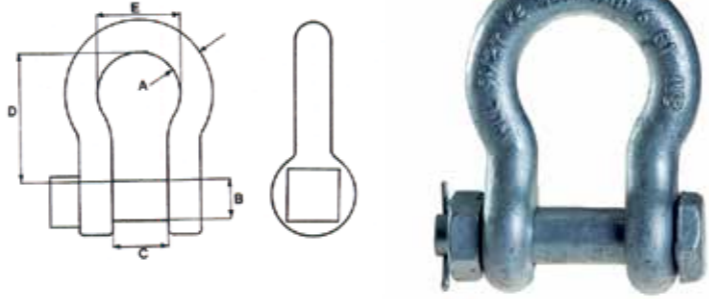


VARE NR	DIM SIZE	WLL											VEKT	
PART NO	TOMMER INCH	6 : 1 T	A MM	B MM	C MM	D MM	E MM	F MM	G MM	H MM	I MM	J MM	K MM	WEIGHT KG
7525HGF12	1/2"	2	13.5	16	34	13	22	51	32	89	57.5	58	22	0.34
7525HGF15	5/8"	3.25	16	19	40	16	27	64	43	110	71	75	27	0.63
7525HGF19	3/4"	4.75	19	22	46	19	31	76	51	129	82	89	32	1
7525HGF22	7/8"	6.5	22	25	52	22	36	83	58	144	93	102	32	1.44
7525HGF25	1"	8.5	25	28	59	25	43	95	68	164	108	118	36	2.21
7525HGF27	1 1/8"	9.5	28	32	66	28	47	108	75	185	120	131	41	3.18
7525HGF32	1 1/4"	12	32	35	72	32	51	115	83	201	137	147	50	4.32
7525HGF38	1 3/8"	13.5	35	38	80	35	57	133	92	227	149	162	50	5.67
7525HGF44	1 1/2"	17	38	42	88	38	60	146	99	249	164	175	60	7.36
7525HGF48	1 3/4"	25	45	50	103	45	74	178	126	300	192	216	60	12.38



**H-SJAKKEL, SELSTAD****H-shackle, Selstad**

Alloy stål 40Cr
Alloy steel 40Cr

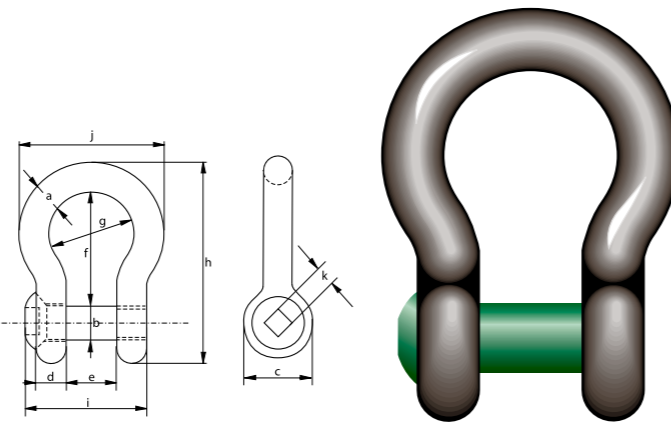


VARE NR PART NO	WLL TONN	DIMENSJON SIZE	A MM	B MM	C MM	D MM	E MM
7525GC015	1.5	7/16"	12	13	17	42	29
7525GC02	2	1/2"	13	16	21	47	33
7525GC0325	3.25	5/8"	16	19	26	64	43
7525GC0475	4.75	3/4"	19	22	31	76	51
7525GC065	6.5	7/8"	22	25	36	83	58
7525GC085	8.5	1"	25	28	43	95	68
7525GC095	9.5	1-1/8"	28	32	47	108	75
7525GC12	12	1-1/4"	32	35	51	115	83

H-SJAKKEL FORSENKNINGS BOLT GP

Green pin® sunken hole shackles
Bow shackles with square sunken hole screw pin

- Material: bow and pin high tensile steel, Grade 6, quenched and tempered
- Safety Factor: MBL equals 6 x WLL
- Standard: meets performance requirements of US Fed. Spec. RR-C-271, Grade A
- Finish: hot dipped galvanized



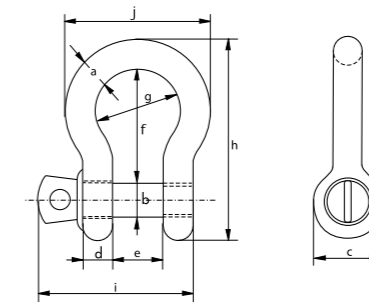
WLL T	A MM	B MM	C MM	D MM	E MM	F MM	G MM	H MM	I MM	J MM	WEIGHT KG
2	13.5	16	34	13	22	51	32	89	51	58	0.31
3.25	16	19	40	16	27	64	43	110	63	75	0.56
4.75	19	22	46	19	31	76	51	129	74	89	0.98
6.5	22	25	52	22	36	83	58	144	85	102	1.46
8.5	25	28	59	25	43	95	68	164	99	118	2.18
9.5	28	32	66	28	47	108	75	185	110	131	3.06
12	32	35	72	32	51	115	83	201	122	147	4.24
13.5	35	38	80	35	57	133	92	227	135	162	5.59
17	38	42	88	38	60	146	99	249	145	175	7.37

H-SJAKKEL BOLT/MUTTER STANDARD GP**Green pin® standard shackles Bow shackles with screw collar pin**

- Material: bow and pin high tensile steel, Grade 6, quenched and tempered
- Safety Factor: MBL equals 6 x WLL
- Standard: EN 13889 and meets performance requirements of US Fed. Spec. RR-C-271 Type IVA Class 2, Grade A
- Finish: hot dipped galvanized
- Temperature Range: -20°C up to +200°C
- Certification: at no extra charges this product can be supplied with a works certificate, material certificate, manufacturer test certificate, EC Declaration of Conformity and all shackles starting from 2 t can be supplied with DNV 2.7-1 certificate.



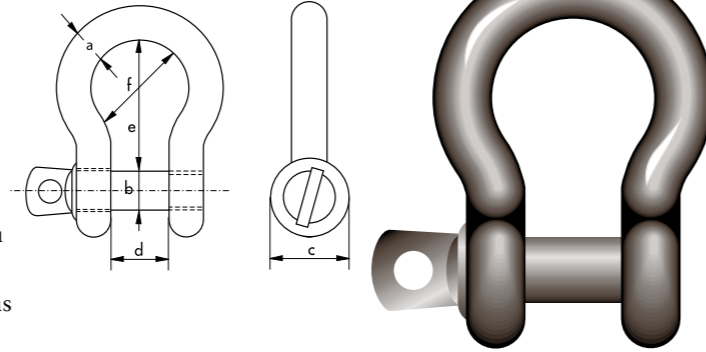
WLL T	A MM	B MM	C MM	D MM	E MM	F MM	G MM	H MM	I MM	J MM	WEIGHT KG
0.33	5	6	12	5	9.5	22	16	36	29.5	26	0.02
0.5	7	8	16.5	7	12	29	20	48.5	38	34	0.05
0.75	9	10	20	9	13.5	32	22	56	46.5	40	0.1
1	10	11	22.5	10	17	36.5	26	63.5	54	46	0.14
1.5	11	13	26.5	11	19	43	29	74	59.5	51	0.19
2	13.5	16	34	13	22	51	32	89	73	58	0.36
3.25	16	19	40	16	27	64	43	110	89	75	0.63
4.75	19	22	46	19	31	76	51	129	103	89	1.01
6.5	22	25	52	22	36	83	58	144	119	102	1.5
8.5	25	28	59	25	43	95	68	164	137	118	2.21
9.5	28	32	66	28	47	108	75	185	153	131	3.16
12	32	35	72	32	51	115	83	201	170	147	4.31
13.5	35	38	80	35	57	133	92	227	186	162	5.55
17	38	42	88	38	60	146	99	249	203	175	7.43
25	45	50	103	45	74	178	126	300	243	216	12.84
35	50	57	111	50	83	197	138	331	272	238	18.15
42.5	57	65	130	57	95	222	160	377	310	274	26.29
55	65	70	145	65	105	260	180	433	344	310	37.6



**H-SJAKKEL RUSTFRI AISI 316 SKRU-BOLT**

Shackles bow shackles with screw pin

- Material: AISI 316
- Safety factor: MBL equals 6 x WLL
- Standard: generally to DIN 82103
- Finish: polished
- Note: marked with WLL, CE and manu
facturer identification
symbol (VBS), except for 4 mm as
it is too small

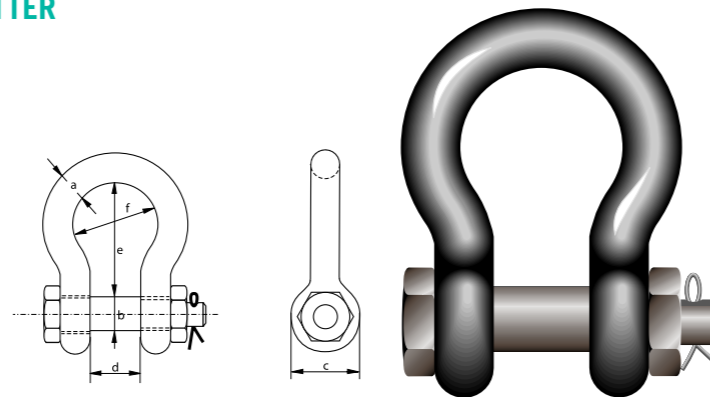


WLL T	A MM	B MM	C MM	D MM	E MM	F MM	KG
-	4	4	8	8	16	12	1.2
0.12	5	5	10	10	20	15	1.8
0.15	6	6	12	12	24	18	2.8
0.3	8	8	16	16	32	24	6.4
0.4	10	10	20	20	40	30	15
0.6	12	12	24	24	48	36	22
1	16	16	32	32	64	48	55
1.5	20	20	40	40	80	60	97
2	22	22	44	44	88	66	146
3	25	25	50	50	100	75	211
3.5	28	28	54	56	116	86	285

H-SJAKKEL RUSTFRI AISI 316 BOLT/MUTTER

Shackles bow shackles with safety bolt

- Material: AISI 316
- Safety factor: MBL equals 6 x WLL
- Finish: polished
- Note: marked with WLL, CE and
manufacturer identification
symbol (VBS)

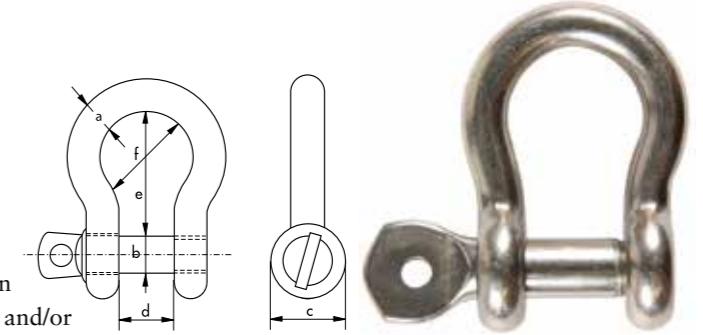


WLL T	A MM	B MM	C MM	D MM	E MM	F MM	WEIGHT KG/100
0.3	8	8	16	16	32	24	7.2
0.4	10	10	19	20	40	30	13.4
0.6	12	12	24	25	49	36	23
1	16	16	31	32	64	48	56.6
1.2	19	19	38	38	80	60	95.2
3	25	25	49	50	100	75	218

**H-SJAKKEL RUSTFRI AISI 316 SKRU-BOLT**

Stainless steel bow shackle with screw pin

- Material: AISI 316
- Safety factor: MBL equals 5 x WLL
- Finish: polished
- Certification: at no extra charge this product can
be supplied with a works certificate and/or
EC Declaration of Conformity
- Note: marked with WLL and CE

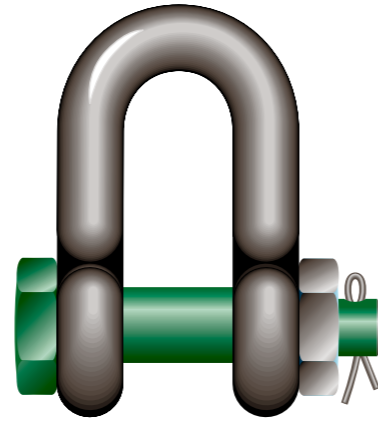


TYPE	WLL T	A MM	B MM	C MM	D MM	E MM	F MM	G MM	H MM	WEIGHT KG
MLV0.4I	0.4	8	8	16	16	32	25	56	41	0.07
MLV0.6I	0.6	10	10	19	20	40	28	67	48	0.12
MLV0.9I	0.9	12	12	24	25	48	36	79	59	0.21
MLV1.5I	1.5	13	16	31	24	52	35	87	60	0.33
MLV2.5I	2.5	16	20	38	28	64	42	108	71	0.62
MLV3I	3	19	22	44	32	72	50	125	87	0.99
MLV4I	4	22	25	50	37	74	60	145	101	1.46
MLV6I	6	25	30	57	40	94	67	157	115	2.17

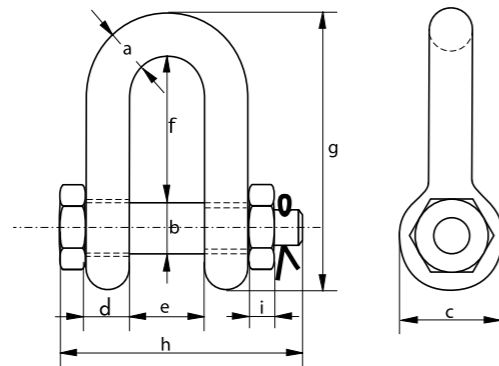
**GREENPIN D-SJAKKEL, BOLT OG MUTTER**

Greenpin D-shackle, with safety bolt

- Material: bow and pin high tensile steel, Grade 6, quenched and tempered
- Safety Factor: MBL equals 6 x WLL
- Standard: EN 13889 and meets performance requirements of US Fed. Spec. RR-C-271 Type IVB Class 3, Grade A
- Finish: hot dipped galvanized
- Temperature Range: -20 °C up to +200 °C
- Certification: at no extra charges this product can be supplied with a works certificate, 3.1 material certificate, manufacturer test certificate, EC Declaration of Conformity and all shackles starting from 2 t can be supplied with DNV 2.7-1 certificate.

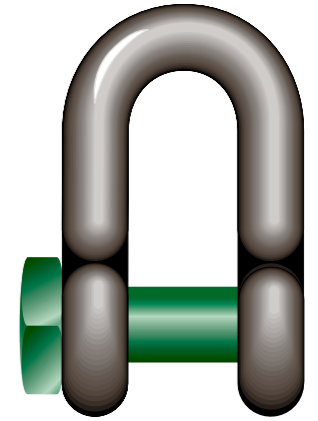


VARE NR	DIM	WLL										VEKT
PART NO	SIZE	6 : 1	A	B	C	D	E	F	G	H	I	WEIGHT
	TOMMER	T	MM	MM	MM	MM	MM	MM	MM	MM	MM	KG
752SDGP13	1/2"	2	13.5	16	34	13	22	43	81	82	13	0.39
752SDGP15	5/8"	3.25	16	19	40	16	27	51	97	88	17	0.67
752SDGP19	3/4"	4.75	19	22	46	19	31	59	112	114	19	1.08
752SDGP22	7/8"	6.5	22	25	52	22	36	73	134	130	22	1.66
752SDGP32	1 1/4"	12	32	35	72	32	51	94	180	178	30	4.51
752SDGP48	1 3/4"	25	45	50	103	45	74	149	271	249	23	12.88
752SDGP55	2"	35	50	57	111	50	83	171	305	269	26	17.35
752SDGP60	2 1/2"	55	65	70	145	65	105	203	376	330	32	35.33

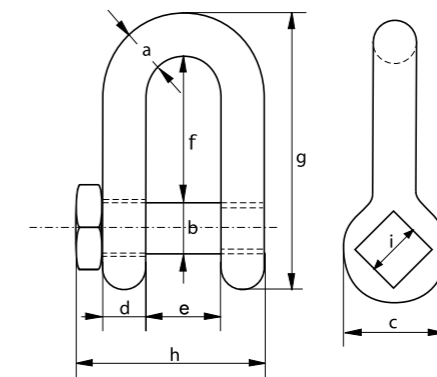
**GREENPIN D-SJAKKEL, FIRKANT**

Greenpin D-shackle, with square headed pin

- Material: bow and pin high tensile steel, Grade 6, quenched and tempered
- Safety Factor: MBL equals 6 x WLL
- Standard: EN 13889 and meets performance requirements of US Fed. Spec. RR-C-271, Grade A
- Finish: hot dipped galvanized
- Certification: at no extra charges this product can be supplied with a works certificate, 3.1 material certificate, manufacturer test certificate and/or EC Declaration of Conformity

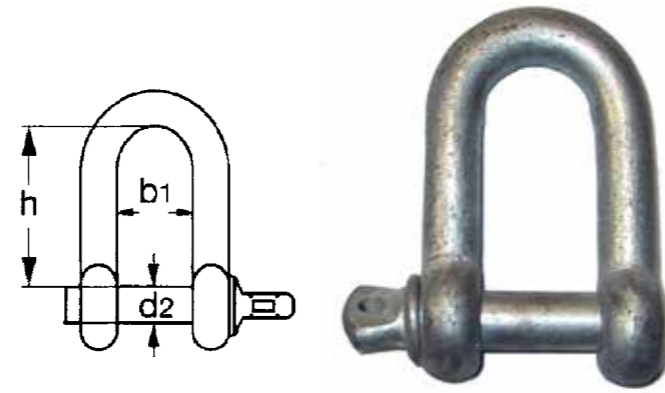


VARE NR	DIM	WLL										VEKT
PART NO	SIZE	6 : 1	A	B	C	D	E	F	G	H	I	WEIGHT
	TOMMER	T	MM	MM	MM	MM	MM	MM	MM	MM	MM	KG
752SDGF12	1/2"	2	13.5	16	34	13	22	43	81	57.5	22	0.32
752SDGF15	5/8"	3.25	16	19	40	16	27	51	97	71	27	0.58
752SDGF18	3/4"	4.75	19	22	46	19	31	59	112	82	32	0.92
752SDGF22	7/8"	6.5	22	25	52	22	36	73	134	93	32	1.33
752SDGF25	1"	8.5	25	28	59	25	43	85	154	108	36	2.03
752SDGF27	1 1/8"	9.5	28	32	66	28	47	90	167	120	41	2.88
752SDGF32	1 1/4"	12	32	35	72	32	51	94	180	137	50	3.96
752SDGF38	1 3/8"	13.5	35	38	80	35	57	115	209	149	50	5.24
752SDGF44	1 1/2"	17	38	42	88	38	60	127	230	164	60	6.8
752SHGP48	1 3/4"	25	45	50	103	45	74	149	271	192	60	11.22



**D-SJAKKEL GALVANISERT MED ØYE**

D-shackle, galvanized, screw collar pin

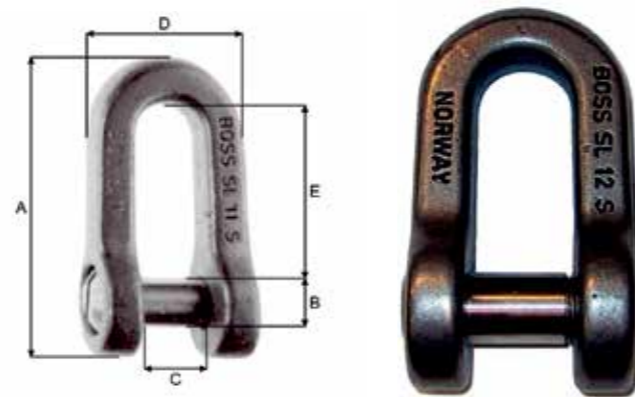


VARE NR PART NO	DIMENSJON TOMMER SIZE INCH	BRUDDLAST BREAKING LOAD KG	d2 MM	BØYLE BOW DIAMETER MM	h MM	b1 MM
7525DGO06	1/4 "	400	5.5	5.5	25	13
7525DGO08	5/16 "	800	7.5	7.5	31	16
7525DGO10	3/8 "	1280	9.5	9.5	37	19
7525DGO11	7/16 "	1600	10.5	10.5	42	22
7525DGO13	1/2 "	2080	11.5	11.5	48	25
7525DGO14	9/16 "	2600	13.5	13.5	53	28
7525DGO16	5/8 "	3200	15.5	15.5	62	32
7525DGO19	3/4 "	4400	19.0	19.0	73	38
7525DGO22	7/8 "	6000	21.5	21.5	80	44
7525DGO25	1 "	8400	24.0	24.0	95	50
7525DGO32	1 1/4 "	13 900	31.5	31.5	120	64

D-SJAKKEL, BOSS SL

D-shackle, Boss SL

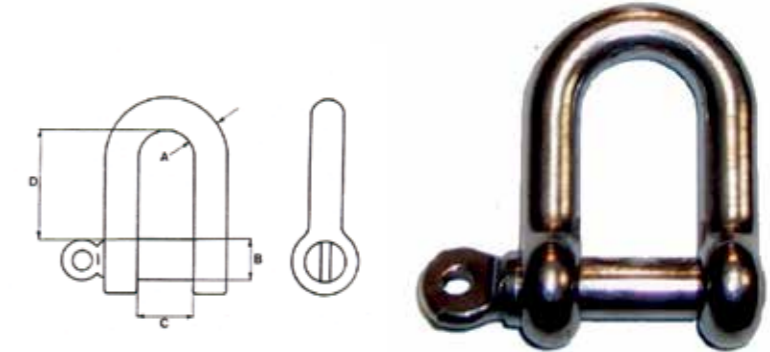
Rustfritt og syrefast stål
Glatt, blank overflate
Acid proof stainless steel
Barrel polished



VARE NR PART NO	DIMENSJON TYPE	WLL 5 : 1 TON	BRUDDLAST BREAKLOAD TONN	A MM	B MM	C MM	D MM	E MM	VEKT WEIGHT KG
7525BOSS03	D SL11	3	15	120	20	27	61	69	0.8
7525BOSS06	D SL12	6	30	134	24	34	71	73	1.5
7525BOSS10	D SL14	10	50	161	33	40	88	88	2.6

**D-SJAKKEL, RUSTFRIE MED ØYE**

D-shackle, screw collar pin, stainless steel



VARE NR PART NO	DIMENSJON SIZE MM	SWL 6 : 1 KILO	A MM	B MM	C MM	D MM	VEKT WEIGHT KG/100
7525RF06	6	175	6	6	12	21	4
7525RF08	8	300	8	8	16	28	7
7525RF10	10	580	9.5	10	20	35	11
7525RF12	12	700	12	12	24	42	25
7525RF16	16	1325	16	16	32	58	40

D-SJAKKEL, ANKER

D-Shackle, anchor



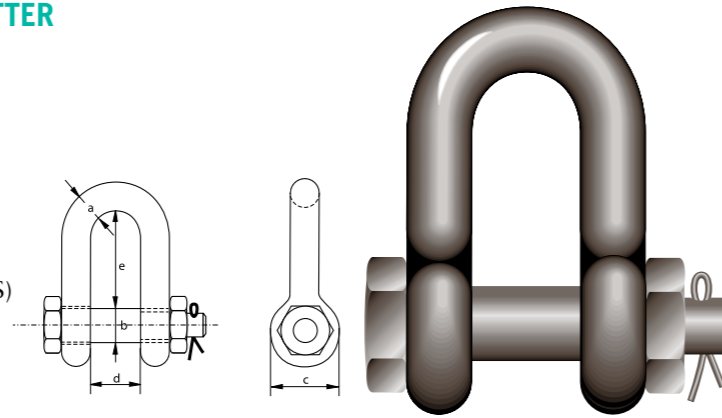
VARE NR PART NO	DIMENSJON SIZE
7525AS205	20.5 MM
7525AS220	22 MM
7525AS240	24 MM
7525AS260	26 MM
7525AS280	28 MM
7525AS300	30 MM
7525AS320	32 MM
7525AS340	34 MM
7525AS360	36 MM
7525AS380	38 MM
7525AS400	40 MM



D-SJAKKEL RUSTFRI AISI 316 BOLT/MUTTER

D-shackles with safety bolt

- Material: AISI 316
- Safety factor: MBL equals 6 x WLL
- Finish: polished
- Note: marked with WLL, CE and manufacturer identification symbol (VBS)



WLL T	A MM	B MM	C MM	D MM	E MM	WEIGHT KG/100
0.3	8	8	16	16	32	7.2
0.4	10	10	19	20	40	13.2
0.6	12	12	24	25	48	22.5
1	16	16	31	32	64	56
1.5	19	19	38	38	76	95.2
3	25	25	49	50	95	205



D-SJAKKEL FORSENKNINGS BOLT GP

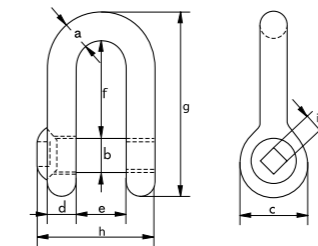
Green pin® sunken hole shackles

D-shackles with square sunken hole screw pin

- Material: bow and pin high tensile steel, Grade 6, quenched and tempered
- Safety Factor: MBL equals 6 x WLL
- Standard: meets performance requirements of US Fed. Spec. RR-C-271, Grade A
- Finish: hot dipped galvanized
- Certification: at no extra charges this product can be supplied with a works certificate, material certificate, manufacturer test certificate and/or EC Declaration of Conformity

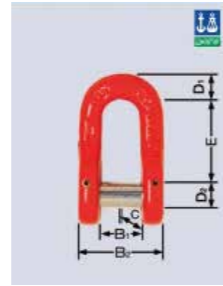


WLL T	A MM	B MM	C MM	D MM	E MM	F MM	G MM	H MM	WEIGHT KG
2	13.5	16	34	13	22	43	81	51	0.34
3.25	16	19	40	16	27	51	97	63	0.6
4.75	19	22	46	19	31	59	112	74	0.98
6.5	22	25	52	22	36	73	134	85	1.26
8.5	25	28	59	25	43	85	154	99	2.14
9.5	28	32	66	28	47	90	167	110	3.05
12	32	35	72	32	51	94	180	122	3.56
13.5	35	38	80	35	57	115	209	135	5.17
17	38	42	88	38	60	127	230	145	6.84



**D-SJAKKEL THIELE SPESIAL ETTER DIN 82101 FORSENKINGS BOLT**

Thiele D-shackle special
Generally to DIN 82101 TWN 0870



VARE NR	TRADE SIZE	ART-NO	SIZE	NOMINAL	WLL	DIMENSIONS						WEIGHT
PART NO			MM	DIN	T MM	E MM	D1 MM	D2 MM	C MM	B1 MM	B2 MM	APP. (KGS)
-	10 - 8	F30311	10	1	3.15	49	15	16	32	21	47	0.35
-	13 - 8	F30321	13	1,6	5.30	61	19	20	40	27	61	0.74
-	16 - 8	F30331	16	2,5	8.00	73	23	24	48	33	75	1.30
-	18/20 - 8	F30341	18/20	4	12.50	91	29	30	60	42	96	2.60
-	22 - 8	F30351	22	5	15.00	111	33	36	72	47	107	4.00
-	26 - 8	F30361	26	6	21.20	120	37	39	78	53	121	5.70
-	28 - 8	F30371	28	8	25.00	140	41	45	90	60	136	10.00
-	32 - 8	F30381	32	10	31.50	147	45	48	96	66	150	10.50
-	36 - 8	F30391	36	12	40.00	158	50	52	104	73	167	13.90
-	40 - 8	F30401	40	16	50.00	185	55	60	120	81	185	20.50
-	45 - 8	F30411	45	20	63.00	211	61	68	136	90	206	26.60

D-SJAKKEL SKRU/BOLT THIELE

Thiele D-shackle type C
TWN 0871

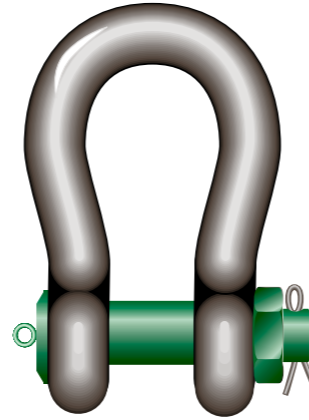


VARE NR	TRADE SIZE	ART-NO	SIZE	NOMINAL	WLL	DIMENSIONS						WEIGHT
PART NO			MM	DIN	T MM	E MM	D1 MM	D2 MM	C MM	B1 MM	B2 MM	APP. (KGS)
7525TWN68	6 - 8	Z04147*	6	0,4	1.12	30	8	10	20	14	30	0.10
7525TWN88	8 - 8	Z04145	8	0,6	2.00	36	10	12	24	17	37	0.20
-	10 - 8	F30310	10	1	3.15	49	15	16	32	21	47	0.45
7525TWN138	13 - 8	F30320	13	1,6	5.30	61	19	20	40	27	61	0.84
7525TWN168	16 - 8	F30330	16	2,5	8.00	73	23	24	48	33	75	1.40
7525TWN18208	18/20 - 8	F30340	18/20	4	12.50	91	29	30	60	42	96	3.10
7525TWN228	22 - 8	F30350	22	5	15.00	111	33	36	72	47	107	4.50
7525TWN268	26 - 8	F30360	26	6	21.20	120	37	39	78	53	121	6.30
-	28 - 8	F30370	28	8	25.00	140	41	45	90	60	136	10.10
-	32 - 8	F30380	32	10	31.50	147	45	48	96	66	150	12.30
-	36 - 8	F30390	36	12	40.00	158	50	52	104	73	167	15.60
-	40 - 8	F30400	40	16	50.00	185	55	60	120	81	185	22.20
-	45 - 8	F30410	45	20	63.00	211	61	68	136	90	206	26.30

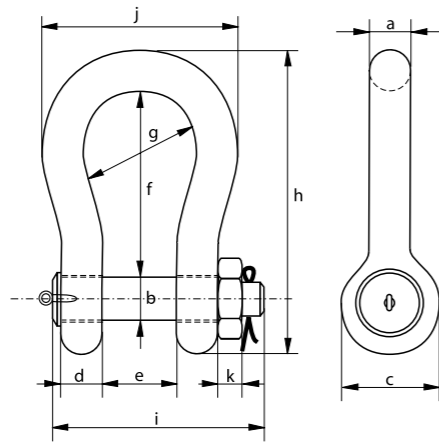
**D-SJAKKEL BOLT/MUTTER HEAVY DUTY GP**

Green pin® heavy duty D-shackle with safety bolt

- Material: bow and pin alloy steel, Grade 8 quenched and tempered
- Safety Factor: MBL equals 5 x WLL
- Finish: shackle bow painted silver, pin painted green (120 tons shackle is hot dipped galvanized)
- Certification: at no extra charges this product can be supplied with a works certificate, material certificate, manufacturer test certificate, EC Declaration of Conformity and all shackles starting from 150 tons are supplied with a Lloyd's Register of Shipping Certificate on proof load.

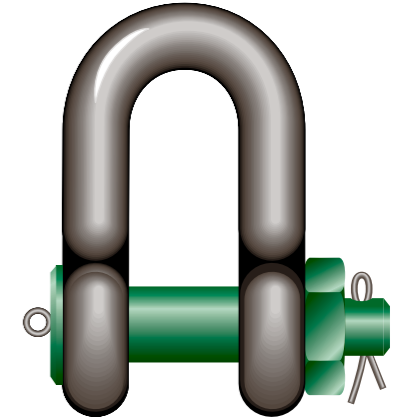


WLL T	A MM	B MM	C MM	D MM	E MM	F MM	G MM	H MM	I MM	J MM	KG
120	95	95	208	91	147	400	238	647	440	428	110
150	105	108	238	102	169	410	275	688	490	485	160
200	120	130	279	113	179	513	290	838	520	530	235
250	130	140	299	118	205	554	305	904	560	565	285
300	140	150	325	123	205	618	305	996	575	585	340
400	170	175	376	164	231	668	325	1114	690	665	560
500	180	185	398	164	256	718	350	1190	720	710	685
600	200	205	444	189	282	718	375	1243	810	775	880
700	210	215	454	204	308	718	400	1263	870	820	980
800	210	220	464	204	308	718	400	1270	870	820	1100
900	220	230	485	215	328	718	420	1296	920	860	1280
1000	240	240	515	215	349	718	420	1336	940	900	1460
1250	260	270	585	230	369	768	450	1456	1025	970	1990
1500	280	290	625	230	369	818	450	1556	1025	1010	2400

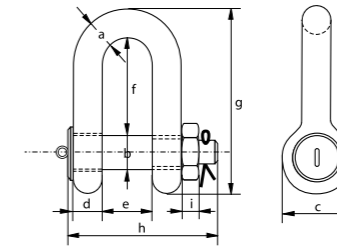
**D-SJAKKEL BOLT/MUTTER HEAVY DUTY GP**

Green pin® heavy duty D-shackle with safety bolt

- Material: bow and pin alloy steel, Grade 8, quenched and tempered
- Safety Factor: MBL equals 5 x WLL
- Finish: hot dipped galvanized
- Certification: at no extra charges this product can be supplied with a works certificate, material certificate, manufacturer test certificate and/or EC Declaration of Conformity.



WLL T	A MM	B MM	C MM	D MM	E MM	F MM	G MM	H MM	WEIGHT KG
120	95	95	208	95	147	274	521	440	110

**KENTER SJAKKEL**

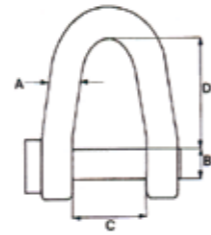
Kenter shackle



VARE NR PART NO	DIMENSJON SIZE MM
7525KS160	16.0
7525KS175	17.5
7525KS190	19.0
7525KS205	20.5
7525KS220	22.0
7525KS240	24.0
7525KS260	26.0
7525KS280	28.0
7525KS300	30.0
7525KS320	32.0
7525KS340	34.0
7525KS360	36.0

**V-SJAKKEL, FIRKANT**

V-shackle, square head pin



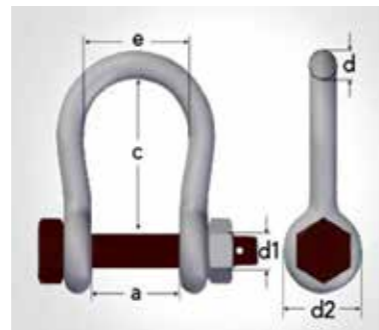
VARE NR PART NO	DIMENSJON SIZE	SWL 5 : 1 TON	A MM	B MM	C MM	D MM
7525VBF32	1 1/4"	3.2	32	32	76	110

FORTØYNINGS SJAKKEL

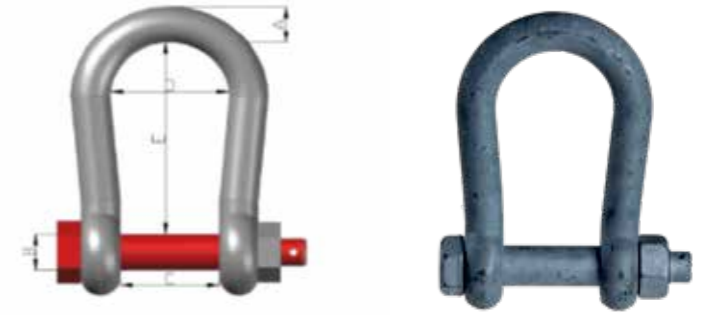
Mooring shackle

For fiskeri og oppdrett
For fishing and aquacultureMaterial: High Tensile Steel. Quenched and Tempered, Grade 6
Finish: All parts hot dip galvanized + brown colour marking

VARE NR PART NO	DIMENSJON SIZE	MBL TONNES	A MM	C MM	E MM	D2 MM	D1 MM	WEIGHT KGS
7525MBL28	19 - 3/4"	28	44	100	58	47	22	1.40
7525MBL40	22 - 7/8"	40	52	125	68	50	25	2.06
7525MBL60	28 - 1.1/8"	60	62	150	89	58	28	3.78
7525MBL90	32 - 1.1/4"	90	82	170	98	72	32	5.82
7525MBL150	45 - 1.3/4"	150	126	248	140	105	50	18.00

**FORTØYNINGS SJAKKEL, SELSTAD**

Mooring shackle Selstad

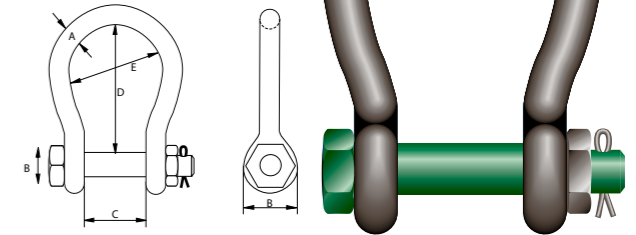
Alloy stål 40Cr
Alloy steel 40Cr

VARE NR PART NO	MBL TONN	A MM	B MM	C MM	D MM	E MM	VEKT WEIGHT
7525MC28	28	19	22	44	58	100	1.38
7525MC40	40	22	25	52	68	125	2.06
7525MC60	60	28	28	62	89	150	3.74
7525MC90	90	32	32	82	98	170	5.40

FORTØYNINGS SJAKKEL BOLT/MUTTER GP FOR BRUK VED EKSTREME KLIMATISKE FORHOLD

Green Pin® Wide mouth bow shackles with safety bolt

- Material: bow and pin alloy steel, Grade 8, quenched and tempered
- Safety Factor: MBL equals 6 x WLL
- Finish: hot dipped galvanized
- Temperature Range: -20 °C up to +200 °C
- Certification: at no extra charges this product can be supplied with a works certificate, material certificate, manufacturer test certificate and/or EC Declaration of Conformity



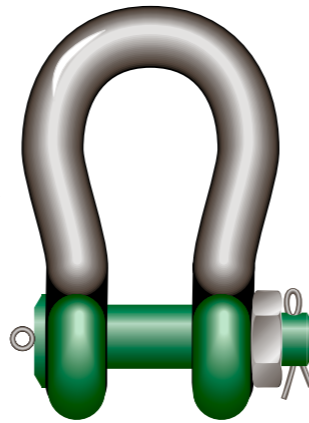
VARE NR PART NO	WLL T	A MM	B MM	C MM	D MM	E MM	F MM	G MM	H MM	I MM	J MM	WEIGHT KG
-	4.75	22	25	52	22	63	112	88	173	157	132	2.08
-	6.5	25	28	59	25	75	135	105	204	182	155	3.14
-	8.5	28	32	66	28	82	148	115	225	201	171	4.36
7525MWM09	9.5	32	35	72	32	90	162	126	248	217	190	5.95
7525MWM12	12	35	38	79	35	100	180	140	274	240	210	7.87
7525MWM16	16	38	42	88	38	106	216	159	319	248	235	12.5
7525MWM25	25	45	50	103	45	127	248	175	370	296	265	18
7525MWM30	30	50	57	118	50	146	273	207	411	338	307	25
7525MWM55	55	65	70	145	65	165	314	213	487	389	343	48
7525MWM75	75	75	83	166	75	184	330	254	530	432	404	70



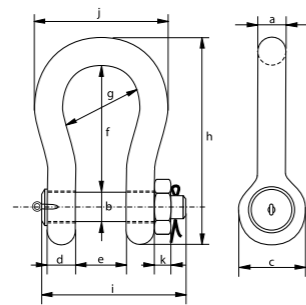
POLAR SJAKKEL BOLT/MUTTER GP

Green pin® heavy duty polar shackles
Bow shackles with safety bolt, for use under extreme climatic conditions

- Material: bow and pin alloy steel, Grade 8, quenched and tempered
- Safety Factor: MBL equals 5 x WLL
- Finish: shackle bow painted silver, pin painted green (120 tons shackle is hot dipped galvanized)
- Temperature Range: -40 °C up to +200 °C
- Certification: Can be supplied with a works certificate, material certificate, manufacturer test certificate and/or EC Declaration of Conformity.



WLL T	A MM	B MM	C MM	D MM	E MM	F MM	G MM	H MM	I MM	J MM	WEIGHT KG
120	95	95	208	91	147	399	238	646	440	428	110
150	105	108	238	102	169	410	275	688	490	485	160
200	120	130	279	112	179	512	290	837	520	530	235
250	130	140	299	118	205	554	305	904	560	565	285
300	140	150	325	123	205	618	305	996	575	585	340
400	170	175	376	164	231	668	325	1114	690	665	560
500	180	185	398	164	256	718	350	1190	720	710	685
600	200	205	444	189	282	718	375	1243	810	775	880
700	210	215	454	204	308	718	400	1263	870	820	980
800	210	220	464	204	308	718	400	1270	870	820	1100
900	220	230	485	215	328	718	420	1296	920	860	1280
1000	240	240	515	215	349	718	420	1336	940	900	1460
1250	260	270	585	230	369	768	450	1456	1025	970	1990
1500	280	290	625	230	369	818	450	1556	1025	1010	2400



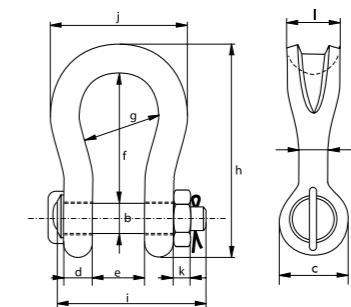
SLING SJAKKEL BOLT/MUTTER GP

Green pin® sling shackles
Bow shackles with safety bolt

- Material: bow and pin alloy steel, Grade 8, quenched and tempered
- Safety Factor: MBL equals 5 x WLL
- Finish: shackle bow painted silver, pin painted green
- Temperature Range: -20 °C up to +200 °C
- Certification: at no extra charges this product can be supplied with a works certificate, material certificate, manufacturer test certificate, EC declaration of Conformity and all shackles from 75 t are supplied with a Lloyd's Register of Shipping Certificate on proof load. An MPI and/or US inspection certificate can be supplied on request.



WLL T	A MM	B MM	C MM	D MM	E MM	F MM	G MM	H MM	I MM	J MM	L MM	WEIGHT KG
18	35	35	69	30	52	147	102	239	165	180	64	7
30	40	42	90	35	69	165	126	279	207	200	79	13
40	55	51	109	45	84	199	140	331	252	235	97	21
55	60	57	115	55	90	240	160	389	294	270	100	30
75	68	70	125	54	110	290	185	473	327	317	120	48
125	85	80	154	85	137	366	220	583	426	390	150	92
150	94	95	179	89	147	391	253	645	435	434	170	140
200	110	105	199	100	158	481	280	759	470	482	205	205
250	126	120	227	110	179	542	300	859	519	530	240	264
300	135	134	245	122	195	601	350	947	575	620	265	360
400	160	160	293	145	231	576	370	985	675	690	320	580
500	170	180	328	160	263	681	450	1131	748	790	339	780
600	190	200	348	170	289	741	490	1234	809	865	370	980
700	200	215	392	190	315	751	540	1284	879	901	400	1360
800	218	230	420	200	342	851	554	1426	942	947	420	1430
900	242	255	466	220	368	851	580	1488	1023	1023	440	1650
1000	260	270	490	240	399	851	614	1532	1103	1107	460	2120
1250	285	300	510	260	452	931	650	1666	1227	1182	530	3700
1500	285	320	550	280	483	950	680	1710	1300	1253	560	4000

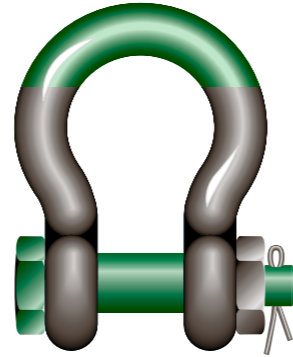




SUPER SJAKKEL BOLT/MUTTER GP

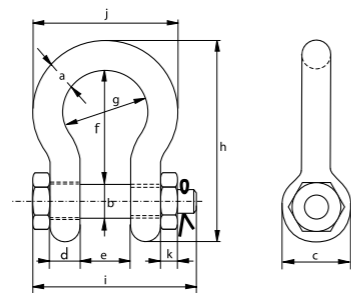
Green pin® super shackles
Bow shackles with safety bolt

- Material: bow and pin alloy steel, Grade 8, quenched and tempered
- Safety Factor: MBL equals 5 x WLL
- Standard: meets performance requirements of US Fed. Spec. RR-C-271 Type IVA Class 3, Grade B
- Finish: hot dipped galvanized (175 ton shackle is painted)
- Temperature Range: -20 °C up to +200 °C
- Certification: at no extra charges this product can be supplied with a works certificate, material certificate, manufacturer test certificate, EC Declaration of Conformity and all shackles starting from 150 tons are supplied with a Lloyd's Register of Shipping Certificate on proof load.



WLL	A	B	C	D	E	F	G	H	I	J	K	WEIGHT
T	MM	MM	MM	MM	MM	MM	MM	MM	MM	MM	MM	KG
3.3	13.5	16	34	13	22	51	32	89	82	58	13	0.44
5	16	19	40	16	27	64	43	110	98	75	17	0.79
7	19	22	46	19	31	76	51	129	114	89	19	1.26
9.5	22	25	52	22	36	83	58	144	130	102	22	1.88
12.5	25	28	59	25	43	95	68	164	150	118	25	2.78
15	28	32	66	28	47	108	75	185	166	131	27	3.87
18	32	35	72	32	51	115	83	201	178	147	30	5.26
21	35	38	80	35	57	133	92	227	197	162	33	6.94
30	38	42	88	38	60	146	99	249	202	175	19	8.79
40	45	50	103	45	74	178	126	300	249	216	23	15
55	57	57	117	57	83	197	138	341	286	252	26	22
85	70	70	143	70	105	260	180	437	344	320	32	42
120	83	83	162	83	127	329	190	535	403	356	40	70
150*	95	95	208	91	147	400	238	647	511	428	50	112
175*	105	108	238	102	169	410	275	688	561	485	60	160

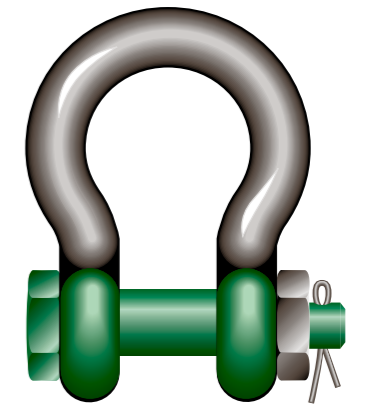
* = round headed bolt



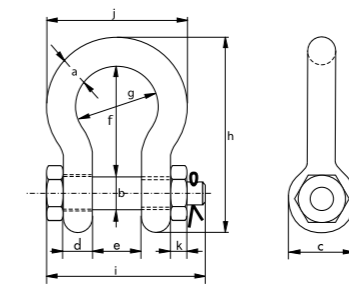
POLAR SJAKKEL BOLT/MUTTER GP FOR BRUK VED EKSTREME KLIMATISKE FORHOLD

Green pin® polar shackles
Bow shackles with safety bolt, for use under extreme climatic conditions

- Material: bow and pin alloy steel, Grade 8, quenched and tempered
- Safety Factor: MBL equals 8 x WLL
- Standard: EN 13889 and meets performance requirements of US Fed. Spec. RR-C-271 Type IVA Class 3, Grade B
- Finish: hot dipped galvanized
- Temperature Range: -40 °C up to +200 °C
- Certification: Can be supplied with many different certificate, DNV 2.7-1 certificate.



WLL	A	B	C	D	E	F	G	H	I	J	K	WEIGHT
T	MM	MM	MM	MM	MM	MM	MM	MM	MM	MM	MM	KG
2	13.5	16	34	13	22	51	32	89	82	58	13	0.42
3.25	16	19	40	16	27	64	43	110	98	75	17	0.74
4.75	19	22	46	19	31	76	51	129	114	89	19	1.18
6.5	22	25	52	22	36	83	58	144	130	102	22	1.77
8.5	25	28	59	25	43	95	68	164	150	118	25	2.58
9.5	28	32	66	28	47	108	75	185	166	131	27	3.66
12	32	35	72	32	51	115	83	201	178	147	30	4.91
13.5	35	38	80	35	57	133	92	227	197	162	33	6.54
17	38	42	88	38	60	146	99	249	202	175	19	8.19
25	45	50	103	45	74	178	126	300	249	216	23	14.22
35	50	57	116	50	83	197	138	334	269	238	26	19.85
42.5	57	65	130	57	95	222	160	377	301	274	29	28.33
55	65	70	145	65	105	260	180	433	330	310	32	39.59
85	75	83	162	73	127	329	190	527	380	340	40	62

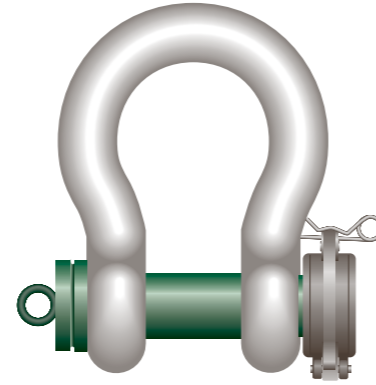




ROV POLAR SJAKKEL GP MED LÅSEKLAMMER

Green pin® rov release polar shackles
With locking clamp

- Material: bow and pin alloy steel, Grade 8, quenched and tempered
- Safety Factor: MBL equals 8x WLL for shackles with WLL 17 t and 25 t, MBL equals 6x WLL for shackles with WLL 55 t and 85 t
- Finish: body white painted, pin green painted
- Temperature Range: -40°C up to +200°C
- Certificates: at no extra charges this product can be supplied with a works certificate, material certificate, manufacturer test certificate and/or EC Declaration of Conformity.



WLL T	A MM	B MM	C MM	D MM	E MM	F MM	G MM	H MM	I MM	J MM	WEIGHT KG
17	38	42	88	38	60	146	99	250	217	175	8.19
25	45	50	103	45	74	178	126	300	250	216	14.22
55	65	70	145	65	105	260	180	433	330	310	39.59
85	75	83	162	73	127	329	190	527	380	340	62

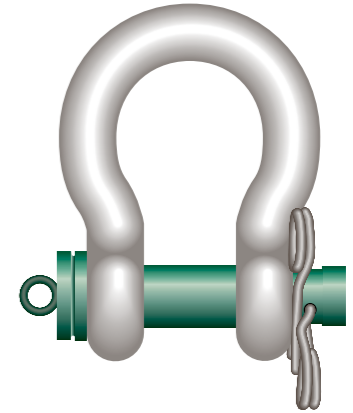
7525GPB22ROVRLLC



ROV SJAKKEL GP MED LÅSESPLINT

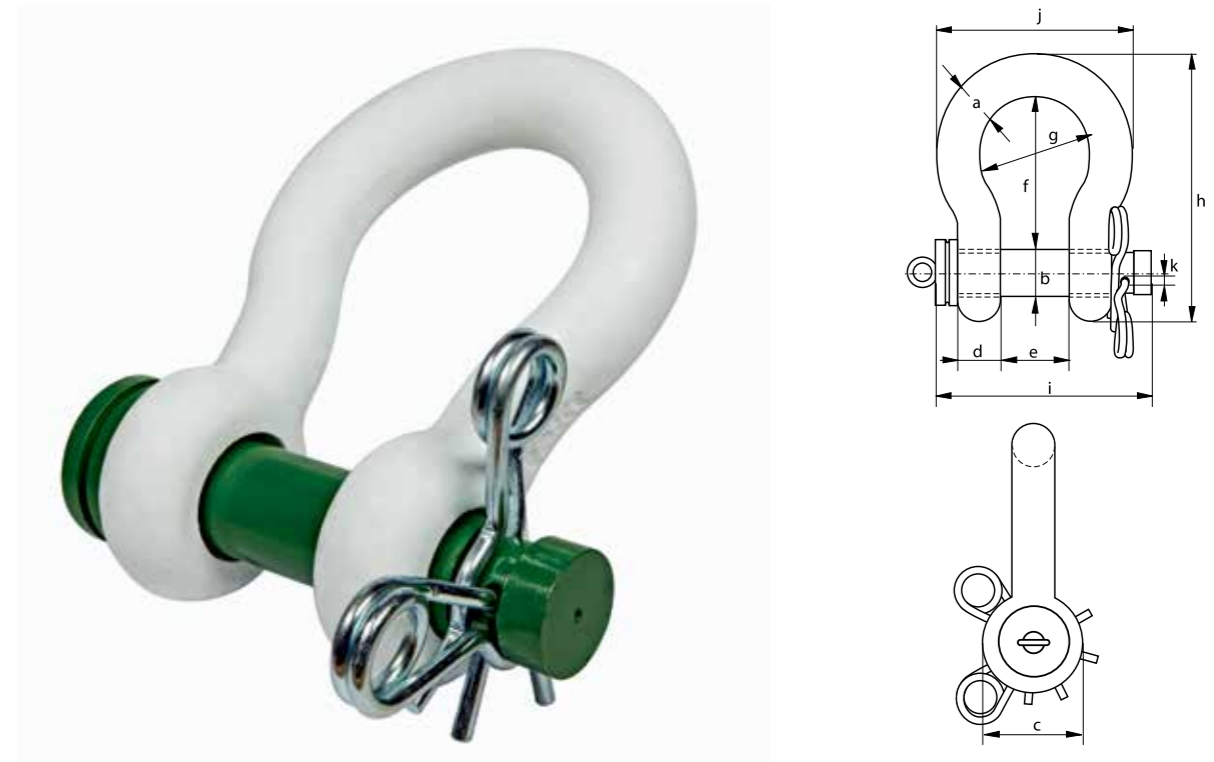
Green pin® rov release polar shackles
With spring pins

- Material: bow and pin alloy steel, Grade 8, quenched and tempered
- Finish: body white painted, pin green painted
- Temperature Range: -40°C up to +200°C
- Certificates: at no extra charges this product can be supplied with a works certificate, material certificate, manufacturer test certificate and/or EC Declaration of Conformity.
- Note: for in-line use only it is up to the user to attach the safety pins with wire ropes etc. and attaching loops or monkey's fists. Van Beest supplies the shackle body, the shackle pin and 2 spring pins.



WLL T	A MM	B MM	C MM	D MM	E MM	F MM	G MM	H MM	I MM	J MM	WEIGHT KG
17	38	42	88	38	60	146	99	249	202	175	8.19
25	45	50	103	45	74	178	126	300	249	216	14.22
55	65	70	145	65	105	260	180	433	330	310	39.59
85	75	83	162	73	127	329	190	527	380	340	62

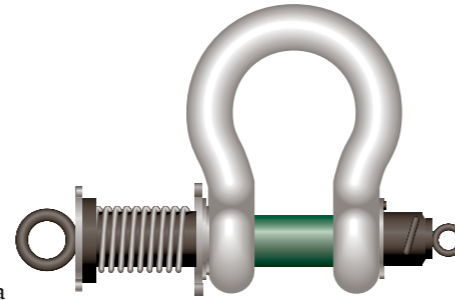
7525GPB22ROVRL



**ROV POLAR SJAKKEL GP FJØRBELASTET SIKRING**

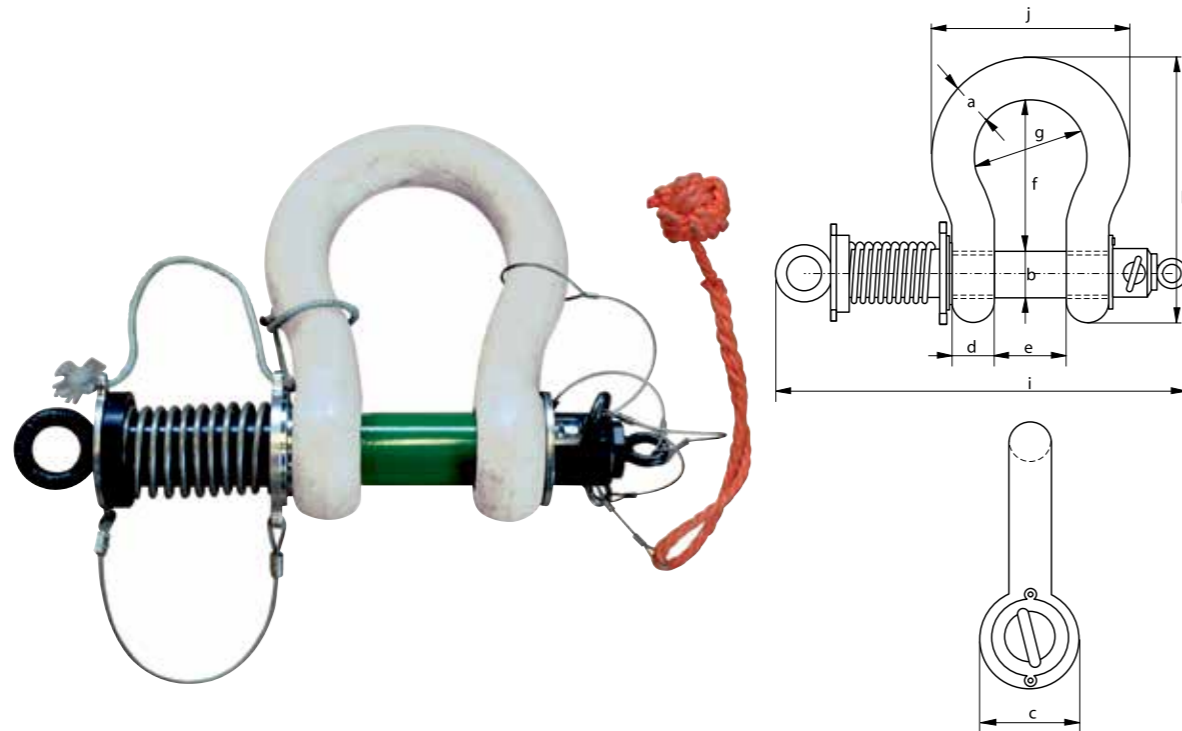
Green pin® rov spring release polar shackles
Spring loaded

- Material: bow and pin alloy steel, Grade 8, quenched and tempered
- Finish: body white painted, pin green painted
- Temperature Range : -40°C up to +200°C
- Certificates: at no extra charges this product can be supplied with a works certificate, material certificate, manufacturer test certificate and/or EC Declaration of Conformity.



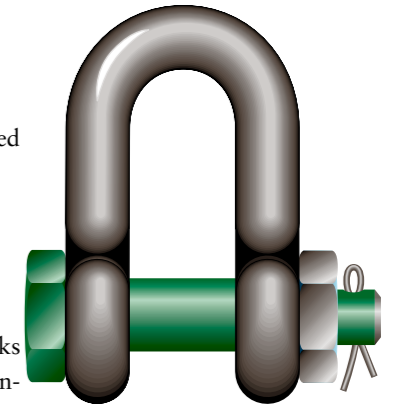
WLL T	A MM	B MM	C MM	D MM	E MM	F MM	G MM	H MM	I MM	J MM	WEIGHT KG
12	32	35	72	32	51	115	83	201	262	147	6
13.5	35	38	80	35	57	133	92	227	275	162	7
17	38	42	88	38	60	146	99	249	330	175	14
25	45	50	103	45	74	178	126	300	352	216	16
35	50	57	116	50	83	197	138	334	373	238	21
42.5	57	65	130	57	95	222	160	377	442	274	32

7525GPB38ROVSRL

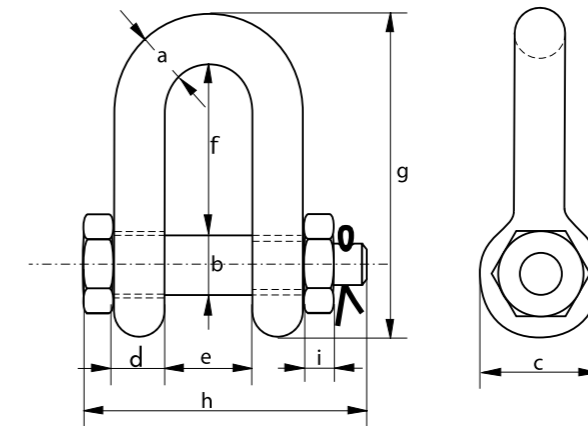
**D-SJAKKEL BOLT/MUTTER STANDARD GP**

Green pin® standard D-shackle with safety bolt

- Material: bow and pin high tensile steel, Grade 6, quenched and tempered
- Safety Factor: MBL equals 6 x WLL
- Standard: EN 13889 and meets performance requirements of US Fe Spec. RR-C-271 Type IVB Class 3, Grade A
- Finish: hot dipped galvanized
- Temperature Range: -20 °C up to +200 °C
- Certification: at no extra charges this product can be supplied with a works certificate, material certificate, manufacturer test certificate, EC Declaration of Conformity and all shackles starting from 2 t can be supplied with DNV 2.7-1 certificate.



WLL T	A MM	B MM	C MM	D MM	E MM	F MM	G MM	H MM	KG
2	13.5	16	34	13	22	43	81	82	0.39
3.25	16	19	40	16	27	51	97	98	0.67
4.75	19	22	46	19	31	59	112	114	1.08
6.5	22	25	52	22	36	73	134	130	1.66
8.5	25	28	59	25	43	85	154	150	2.46
9.5	28	32	66	28	47	90	167	166	3.4
12	32	35	72	32	51	94	180	178	4.51
13.5	35	38	80	35	57	115	209	197	6.1
17	38	42	88	38	60	127	230	202	7.63
25	45	50	103	45	74	149	271	249	13.25
35	50	57	111	50	83	171	305	269	18.53
42.5	57	65	130	57	95	190	345	301	25.94
55	65	70	145	65	105	203	376	330	35.33
85	75	83	162	73	127	229	427	380	52.97



The background of the page is a close-up photograph of numerous red-painted metal shackles and hardware. The shackles are arranged in a dense, overlapping pattern. Some of the shackles have embossed text, including 'CECA MILLITON' and 'GRAD'. The metal hardware, such as pins and bolts, is visible at various points where the shackles are connected. The lighting is bright, highlighting the glossy finish of the red paint and the metallic sheen of the hardware.

KROKER

SLEPEKROKER S. 32

SIKKERHETSKROKER S. 33

LASTEKROKER S. 41

INNKORTINGSKROKER S. 43

G-KROKER S. 46

SMETTLØKKE S. 48

FLATLØKKE S. 50

KELLYØYER S. 51

CARABINKROKER S. 52

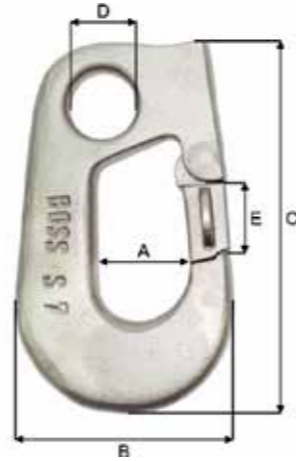
P-LEDD S. 53

SLIPKROK / HAKE S. 55

DIVERSE S. 57

**BOSS S KROK**

Boss S hook



VARE NR PART NO	TYPE	WIL 5:1 TON	BRUDD LAST BREAKING LOAD TON	A MM	B MM	C MM	D MM	E MM	VEKT WEIGHT KG
7518SKS5	BOSS S5	1.00	5	27	66	111	23	19	0.50
7518SKS6	BOSS S6	1.25	6	38	77	132	27	25	0.60
7518SKS7	BOSS S7	2.25	12	37	90	153	27	29	1.20

BOSS KROK DUO SAFE

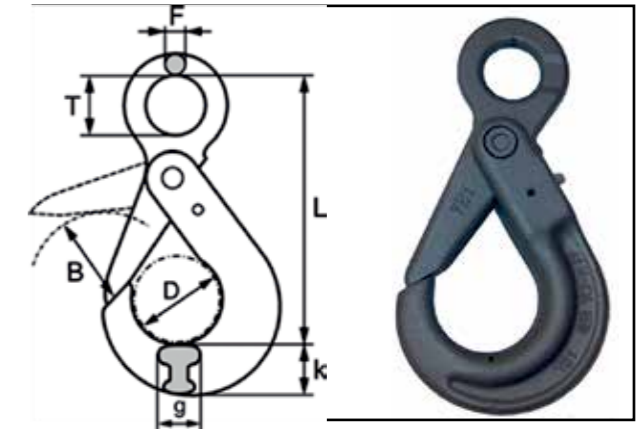
Boss tow hook duo safe



VARE NR PART NO	TYPE	SWL 3:1 Tonn	D MM	E MM	G MM	VEKT WEIGHT KG
7529DS2S	BOSS DUO SAFE 2 5	3.0	30	95	190	-

**SIKKERHETSKROK KWB**

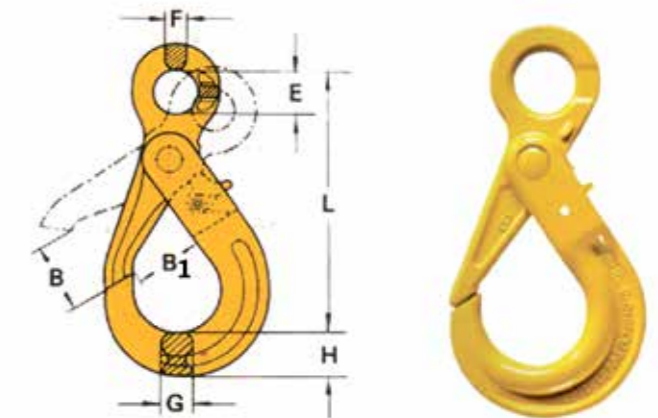
Safety hook, KWB

Antirust/Galvnisert
Anticorrosive/Galvanized

VARE NR PART NO	TYPE	WLL TON	B MM	D MM	F MM	L MM	T MM	G MM	K MM	VEKT WEIGHT KG
7518BK08R	BS-7/8-8	2	37	45	10	133	30	19	27	0.8
7518BK10G	BS-10-8	3.15	45	56	12	167	36	25	33	1.6
7518BK13G	BS-13-8	5.3	50	71	16	200	47	33	42	3.2
7518BK16G	BS-16-8	8	64	88	20	251	60	35	46	6.1
7518BK19G	BS-18/20-8	12.5	80	100	21	274	64	52	55	7.6

SIKKERHETSKROK BK

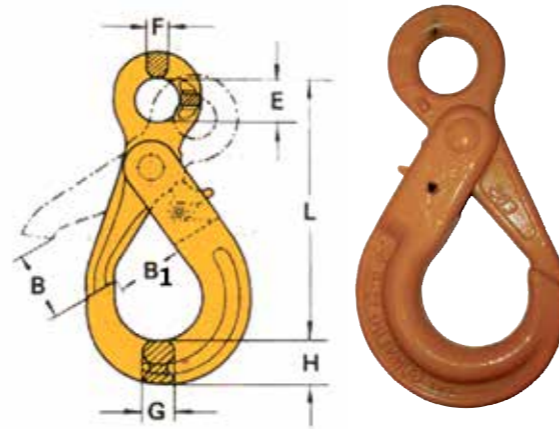
Safety hook, BK



VARE NR PART NO	TYPE	WLL TON	L MM	E MM	B MM	F MM	G MM	H MM	VEKT WEIGHT KG
7518BK05	BK 5/6-8	1.5	109	22	29	10	15	21	0.50
7518BK07	BK 7/8-8	2.0	138	28	37	11	17	26	0.90
7518BK10	BK 10-8	3.2	168	34	45	13	21	31	1.50
7518BK13	BK 13-8	5.4	207	45	55	16	30	40	3.00
7518BK16	BK 16-8	8.0	254	56	62	20	37	50	5.50
7518BK18	BK 18/22-8	15.5	320	70	80	24	47	65	11.20
7518BK26	BK 26-8	22.0	345	80	100	25	50	69	14.60
7518BK32	BK 32-8	32.0	400	90	120	27	62	86	23.80

**SIKKERHETSKROK, SELSTAD**

Safety hook, Selstad

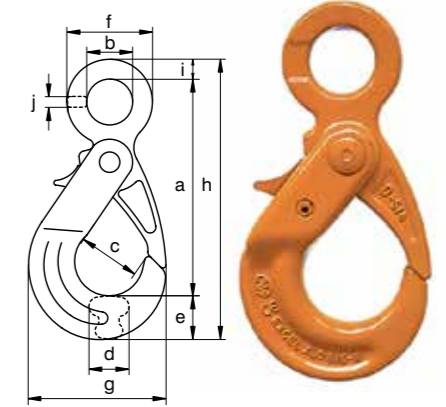


VARENR PART NO	TYPE	WLL 4 : 1 TON	BRUDDLAST BREAKING LOAD TON	L MM	E MM	B MM	F MM	H MM	VEKT WEIGHT KG
7518SE06	6-8	1.12	4.48	110.5	22	28	10	19.5	0.5
7518SE07	7/8-8	2	8	136	25	34	12	24	0.8
7518SE10	10-8	3.15	12.6	171	32	44	15	28.5	1.55
7518SE13	13-8	5.3	21.2	208.5	40.5	52	19.5	40	3.2
7518SE16	16-8	8	32	257.5	56	60	22	50.5	5.74
7518SE18	18/20-8	12.5	50	275	64.5	81	27	55	8.5
7518SE22	22-8	15	60	320	70	82	30	67	13
7518SE26	26-8	21.2	84.8	363	80	110	34	75	18
7518SE32	32-8	31.5	126	472	105	168	45	97	44.5

**SIKKERHETSKROK EXCEL EN1677-3 GRADE 8**

Excel® eye self locking hook en1677-3, grade 8

- Material: alloy steel, grade 8, quenched and tempered
- Safety factor: MBL equals 4 x WLL
- Standard: EN 1677-3
- Finish: painted yellow (J) or red (R)
- Certification: at no extra charge this product can be supplied with a works certificate, a 3.1 certificate and/or EC Declaration of Conformity.
- Note: from 12.8 t without flat part

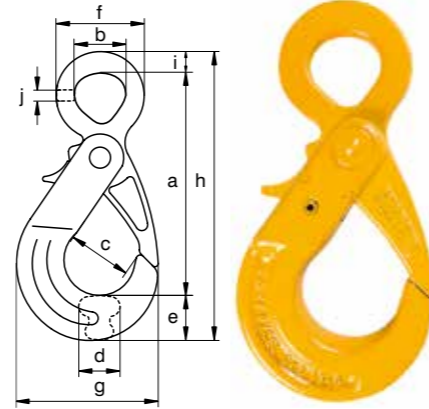


TYPE	WLL T	CHAIN INCH	KJETTING MM	A MM	B MM	C MM	D MM	E MM	F MM	G MM	H MM	I MM	J MM	KG
XLO0J OR R	1.12	3/16- 7/32	5-6	111	24	32	16	26	47	77	147	11	7	0.51
XLO1J OR R	2	1/4- 5/16	7-8	134	29	43	23	29	57	92	176	14	7	0.91
XLO2J OR R	3.2	3/8	10	168	35	47	32	35	69	111	219	17	10	1.79
XLO3J OR R	5.4	1/2	13	199	46	61	37	45	87	142	264	20	13	3.36
XLO4J OR R	8.2	5/8	16	247	59	74	43	56	111	185	328	26	16	7
XLO5J OR R	12.8	3/4	18-20	282	69	88	51	63	126	207	374	28	20	9.22

**SIKKERHETSKROK EXCEL GRADE 8**

Excel® eye self locking hook, grade 8

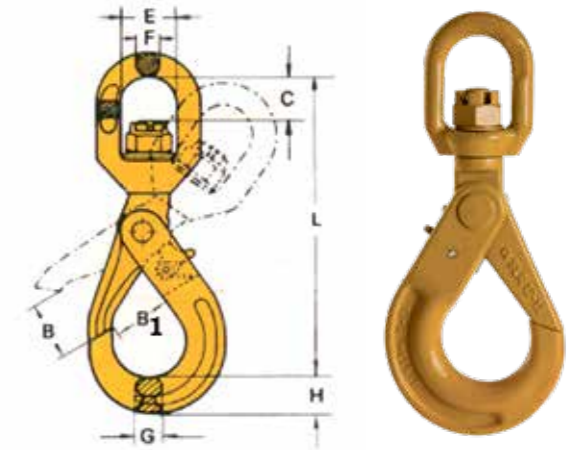
- Material: alloy steel, grade 8, quenched and tempered
- Safety factor: MBL equals 4 x WLL
- Finish: painted yellow (J) or red (R)
- Certification: at no extra charge this product can be supplied with a works certificate and/or EC Declaration of Conformity.



TYPE	WLL T	CHAIN INCH	KJETTING MM	A MM	B MM	C MM	D MM	E MM	F MM	G MM	H MM	I MM	J MM	KG
GKO1J OR R	2	1/4-5/16	7-8	113	24	32	17	25	48	77	151	13	9	0.53
GKO2J OR R	3.2	3/8	10	134	30	43	24	29	59	92	180	17	10	0.94
GKO3J OR R	5.4	1/2	13	170	39	47	32	34	75	111	225	20	12	1.86
GKO4J OR R	8.2	5/8	16	207	49	61	37	46	93	142	273	22	15	3.49
GKO5J OR R	12.8	3/4	18-20	257	60	74	43	57	117	185	341	28	21	7.33
GKO6J OR R	15.5	7/8	22	290	71	88	52	62	133	207	383	31	21	9.91

**SIKKERHETSKROK MED SVIVEL, SELSTAD**

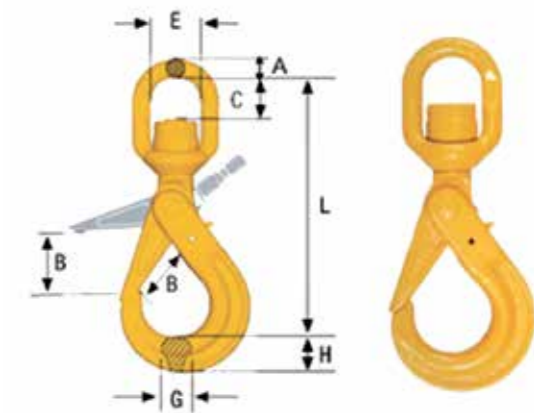
Swivel self locking hook, Selstad



VARE NR PART NO	TYPE	WLL 4 : 1 TON	BRUDDLAST BREAKING LOAD TON	E MM	C MM	F MM	L MM	B MM	B1 MM	VEKT WEIGHT KG
7518SES06	6-8	1.12	4.48	32.5	22	11.25	170	34	29	0.71
7518SES07	7/8-8	2	8	35.5	26	12.5	210	46	34	1.10
7518SES10	10-8	3.15	12.6	42	34	15	247	56	44	2.00
7518SES13	13-8	5.3	21.2	50	38.5	16	302	69	52	4.00
7518SES16	16-8	8	32	61	55	21.5	383	86	60	7.30
7518SES18	18/20-8	12.5	50	72	61	26	418	100	83	11.60

SIKKERHETSKROK MED SVIVEL, BKL

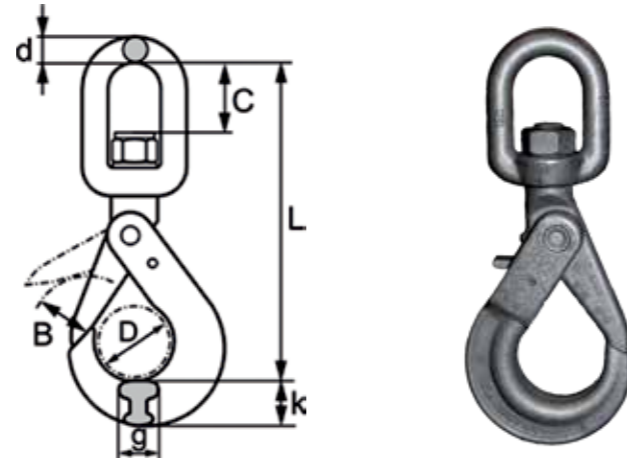
Swivel safety hook, BKL



VARE NR PART NO	WLL 4 : 1 TON	L MM	B MM	C MM	E MM	A MM	G MM	H MM	VEKT WEIGHT KG
7518BKL05	1.50	149	29	23	33	11	15	21	0.67
7518BKL07	2.50	183	37	27	38	12	17	26	1.14
7518BKL10	4.00	218	45	37	44	15	21	30	1.96
7518BKL13	6.70	282	55	49	48	19	30	40	3.80
7518BKL16	10.00	341	62	65	61	25	37	50	7.10

**SIKKERHETSKROK MED SVIVEL, KWB**

Swivel safety hook KWB

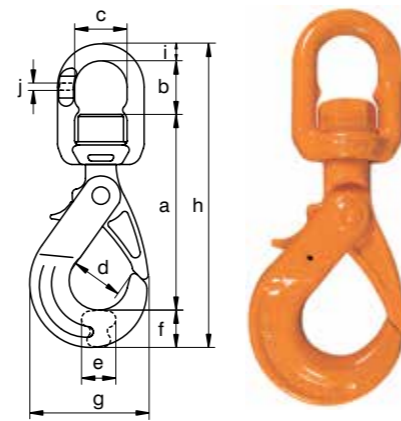
Antirust/Galvanisert
Anticorrosive/Galvanized

VARE NR PART NO	TYPE TYPE	WLL TON	B MM	C MM	D MM	L MM	d MM	g MM	k MM	VEKT WEIGHT KG
7518BKL07G	BS-7/8-8	2	38	30	45	178	12	18	27	1
7518BKL10G	BS-10-8	3.15	44	35	55	208	14	25	33	2
7518BKL13G	BS-13-8	5.4	50	45	68	252	18	34	44	3.8
7518BKL16G	BS-16-8	8	66	60	85	322	20	35	46	7

SVIVEL SIKKERHETSKROK EXCEL EN1677-3 GRADE 8

Excel® swivel self locking hook en1677-3, grade 8

- Material: alloy steel, grade 8, quenched and tempered
- Safety factor: MBL equals 4 x WLL
- Standard: EN 1677-3
- Finish: painted yellow (J) or red (R)
- Certification: at no extra charge this product can be supplied with a works certificate, a 3.1 certificate and/or EC Declaration of Conformity.
- Note: equipped with needle roller thrust bearing

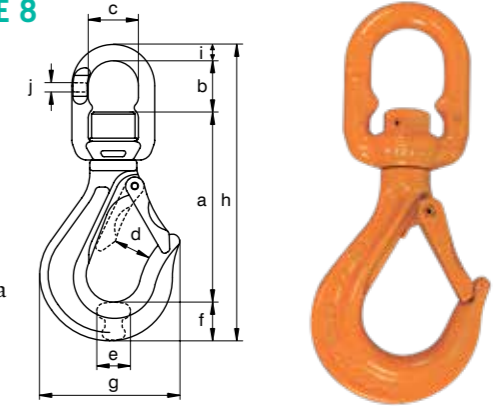


TYPE	WLL T	CHAIN INCH	KJETTING MM	A MM	B MM	C MM	D MM	E MM	F MM	G MM	H MM	I MM	KG
XLE0J OR R	1.12	3/16-7/32	5-6	122	32	31	32	16	26	77	192	6	0.78
XLE1J OR R	2	1/4-5/16	7-8	148	39	36	43	23	29	92	231	8	1.39
XLE2J OR R	3.2	3/8	10	183	46	47	47	32	35	111	282	11	2.56
XLE3J OR R	5.4	1/2	13	214	57	56	61	37	45	142	336	14	4.56
XLE4J OR R	8.2	5/8	16	269	65	72	74	39	56	185	416	17	9.5
XLE5J OR R	12.8	3/4	18-20	303	87	81	88	51	63	207	480	22	12.7

SLING SIKKERHETSKROK SVIVEL EXCEL EN1677-2 GRADE 8

Excel® swivel sling hook en1677-2, grade 8

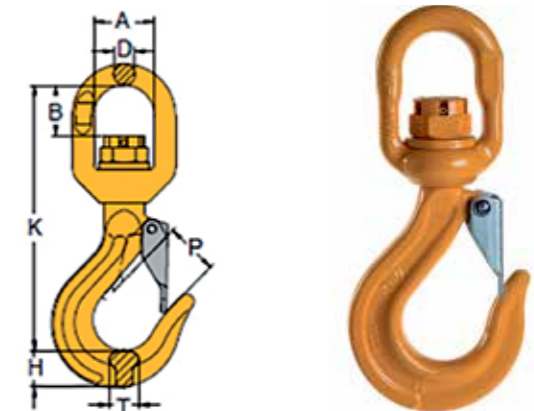
- Material: alloy steel, grade 8, quenched and tempered
- Safety factor: MBL equals 4 x WLL
- Standard: EN 1677-2
- Finish: painted yellow (J) or red (R)
- Certification: at no extra charge this product can be supplied with a works certificate, a 3.1 certificate and/or EC Declaration of Conformity.
- Note: equipped with needle roller thrust bearing.



TYPE	WLL T	CHAIN INCH	KJETTING MM	A MM	B MM	C MM	D MM	E MM	F MM	G MM	H MM	I MM	KG
CSE5/6J OR R	1.12	3/16-7/32	5-6	99	33	29	25	16	20	73	166	7	0.4
CSE7/8J OR R	2	1/4-5/16	7-8	123	33	31	29	20	22	85	190	7	0.77
CSE10J OR R	3.2	3/8	10	148	41	36	30	24	30	104	231	9	1.41
CSE13J OR R	5.4	1/2	13	185	45	47	36	31	39	133	288	12	2.53
CSE16J OR R	8.2	5/8	16	215	57	56	43	34	49	168	342	15	4.91
CSE18/20J OR R	12.8	3/4	18-20	264	66	72	79	43	50	190	406	17	7.75

LASTEKROK M/SVIVEL, YSW

Eye Swivel Hook, YSW

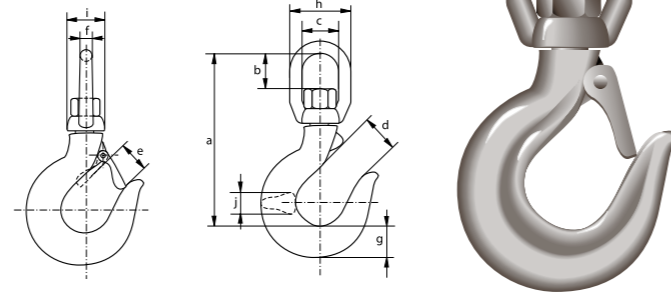


VARE NR PART NO	TYPE TYPE	WLL 4 : 1 TON	K MM	P MM	B MM	A MM	D MM	T MM	H MM	VEKT WEIGHT KG
7518YSW10	10	3.15	189	36	37	41	16	23	29	1.5
7518YSW13	13	5.30	233	42	40	46	20	28	35	3.0
7518YSW16	16	8.00	280	50	50	60	22	35	44	5.1
7518YSW18	18-20	12.50	356	56	82	74	25	49	65	9.4

**KROK MED SVIVEL GRADE 8 MED SIKKERHETSLÅS GP**

Green pin® swivel hooks, grade 8 with safety latch

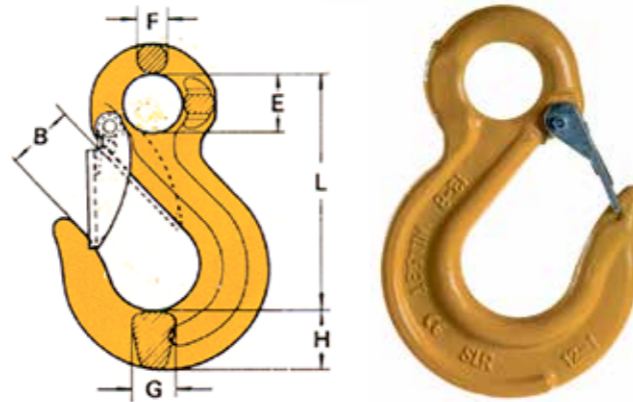
- Material: alloy steel, Grade 8
- Safety factor: MBL equals 4 x WLL
- Finish: painted red
- Certification: test certificates can be supplied upon request



WLL T	A MM	B MM	C MM	D MM	E MM	F MM	G MM	H MM	I MM	WEIGHT KG
1.25	118	28	31	24	20	11	19	52	30	0.45
1.6	145	35	40	26	22	14	23	68	37	0.9
2.5	167	43	47	32	27	17	27	81	43	1.3
3.2	180	47	47	34	30	17	31	81	43	1.6
5.4	217	54	64	44	37	21	37	106	64	3.8
8	276	69	78	55	49	26	49	130	77	6.9
11.5	310	69	82	61	53	22	60	136	82	10.6
16	352	84	92	65	58	24	67	154	92	16
22	434	107	115	85	78	29	80	191	108	27
31.5	512	117	132	90	87	34	94	222	132	60

LASTEKROK, SELSTAD

Eye sling hook with latch, Selstad

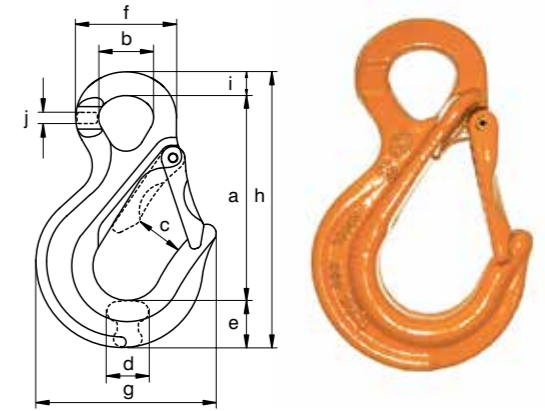


VARE NR PART NO	TYPE TYPE	WLL 4 : 1 TON	BRUDDLAST BREAKING LOAD TON	F MM	B MM	E MM	L+H+F MM	VEKT WEIGHT KG
7518SEL06	6-8	1.12	4.48	9	24	20	108	0.3
7518SEL08	7/8-8	2	8	11	30	25	133	0.4
7518SEL10	10-8	3.15	12.6	15	34	38	167	0.9
7518SEL13	13-8	5.3	21.2	19	39	43	213	1.7
7518SEL16	16-8	8	32	23	46	50	255	3.2

**ØYE-SLING KROK EXCEL EN1677-2 GRADE 8**

Excel® eye sling hook en1677-2, grade 8

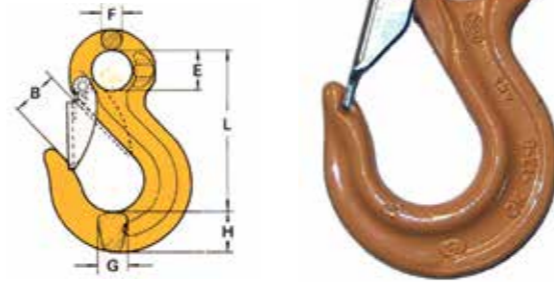
- Material: alloy steel, grade 8, quenched and tempered
- Safety factor: MBL equals 4 x WLL
- Standard: EN 1677-2
- Finish: painted yellow (J) or red (R)
- Certification: at no extra charge this product can be supplied with a works certificate, a 3.1 certificate and/or EC Declaration of Conformity.
- Note: from 8.2 t without flat part



TYPE	WLL T	CHAIN INCH	KJETTING MM	A MM	B MM	C MM	G MM	H MM	I MM	J MM	WEIGHT KG
CSO5/6J OR R	1.12	3/16-7/32	5-6	86	23	27	73	115	10	7	0.30
CSO7/8J OR R	2	1/4-5/16	7-8	102	26	27	87	137	13	8	0.56
CSO10J OR R	3.2	3/8	10	121	35	28	106	165	16	11	1.02
CSO13J OR R	5.4	1/2	13	155	41	33	136	208	19	14	1.79
CSO16J OR R	8.2	5/8	16	185	48	46	159	252	22	17	2.89
CSO18/20J OR R	12.8	3/4	18-20	272	60	62	236	365	27	22	9.1
CSO22J OR R	15.5	7/8	22	271	71	65	227	361	31	23	8.37
CSO26J OR R	21.6	1	26	251	48	73	236	363	32	32	10.4
CSO32J OR R	32.8	1 1/4	32	292	58	87	286	435	39	39	20.5

**LASTEKROK OKN**

Cargo hook, OKN

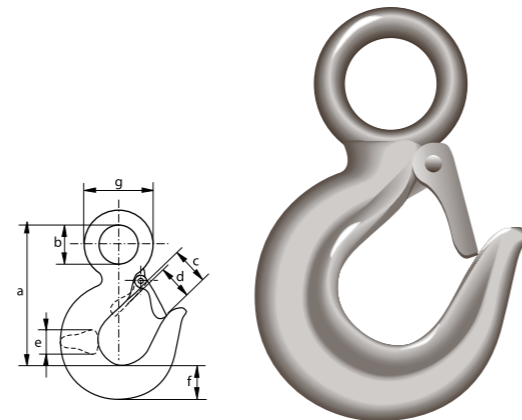


VAREN PART NO.	TYPE TYPE	VEKT PR STK WEIGHT/PC KG	MAX LAST MAX LOAD TONN	L MM	B MM	E MM	F MM	G MM	H MM
7518OKN05	OKN 5/6-8	0.24	1.1	80	24	20	9	15	19
7518OKN07	OKN 7/8-8	0.44	2.0	98	27	25	11	18	22
7518OKN10	OKN 10-8	0.84	3.2	122	34	32	14	23	28
7518OKN13	OKN 13-8	1.70	5.4	152	42	40	18	30	35
7518OKN16	OKN 16-8	3.20	8.0	184	49	50	22	32	44
7518OKN18	OKN 18/20-8	5.10	12.5	218	59	60	26	42	45

KROK MED STORT ØYE MED SIKKERHETSLÅS GP

Green pin® large eye hooks, grade 8 with safety latch

- Material: alloy steel, Grade 8
- Safety factor: MBL equals 4 x WLL
- Standard: generally to EN 1677-2
- Finish: painted red
- Certification: test certificates can be supplied upon request

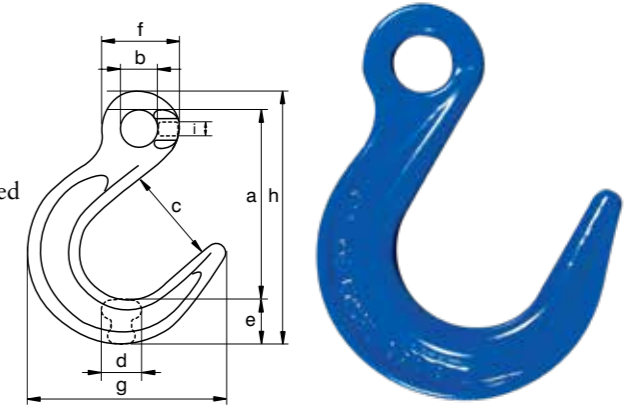


WLL T	A MM	B MM	C MM	D MM	E MM	F MM	G MM	KG
1.25	81	19	24	20	16	19	37	0.26
1.6	91	22	26	22	18	22	45	0.57
2.5	105	27	32	27	20	27	52	0.81
3.2	124	32	34	30	24	31	62	1.27
5.4	147	39	44	37	31	36	74	1.68
8	190	50	55	48	37	48	96	3.6
11.5	230	64	64	53	47	60	123	7
16	254	70	70	60	58	69	139	10.7
22	316	89	91	77	63	81	169	16.7

**LASTEKROK ØYE EXCEL GRADE 10**

Excel® eye foundry hook, grade 10

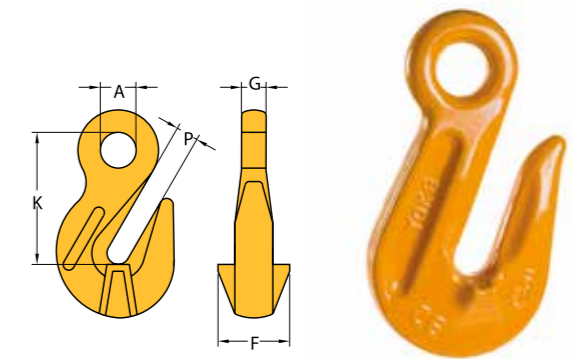
- Material: alloy steel, grade 10, quenched and tempered
- Safety factor: MBL equals 4 x WLL
- Finish: painted blue
- Certification: at no extra charge this product can be supplied with a works certificate, a 3.1 certificate and/or EC Declaration of Conformity



TYPE	WLL T	FOR CHAIN INCH	FOR KJETTING MM	A MM	B MM	C MM	D MM	E MM	F MM	G MM	H MM	I MM	KG
UCFO6	1.4	7/32	6	93	18	47	17	22	38	97	125	7	0.33
UCFO8	2.5	5/16	8	124	24	63	22	30	51	129	166	9	0.78
UCFO10	4	3/8	10	157	33	79	28	36	66	160	208	11	1.5
UCFO13	6.7	1/2	13	190	44	93	36	46	85	198	256	14	3

YOKE INNKORTINGSKROK

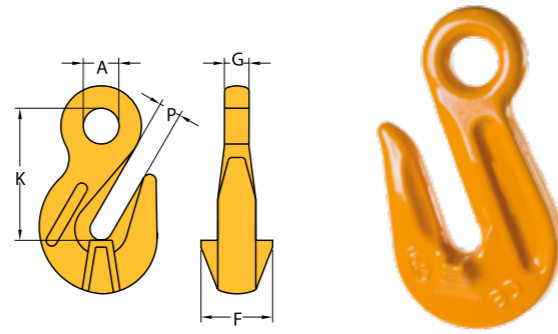
Yoke Eye Grab Hook



VARE NR PART NO	TYPE TYPE	WLL 4 . 1 TON	BRUDDLAST BREAKING LOAD TON	P MM	A MM	G MM	K MM	F MM	VEKT WEIGHT KG
7518YH07	7/8-8	2	8	10	17	9	60	30	0.30
7518YH10	10-8	3.15	12.6	13	20	13	84	41	0.60
7518YH13	13-8	5.3	21.2	16	26	15	102	52	1.40
7518YH16	16-8	8	32	20	30	20	114	57	2.30
7518YH18	18/20-8	12.5	50	23	36	24	132	73	4.60

**INNKORTINGSKROK, SELSTAD**

Eye grab hook, Selstad

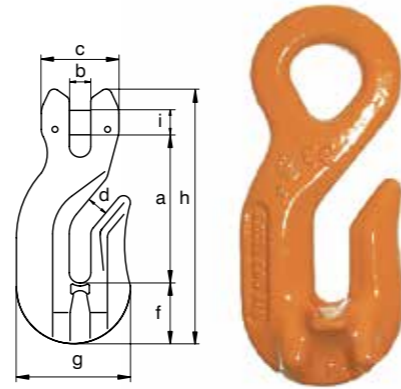


VARE NR PART NO	TYPE TYPE	WLL 4 : 1 TON	BRUDDLAST BREAKING LOAD TON	P MM	A MM	G MM	K MM	F MM	VEKT WEIGHT KG
7518SEI06	6-8	1.12	4.48	8	13.5	8	51	-	0.25
7518SEI08	7/8-8	2	8	10.8	17	9	60.5	-	0.40
7518SEI10	10-8	3.15	12.6	13	20	13	79.5	-	0.60
7518SEI13	13-8	5.3	21.2	16.5	26	15	99.7	-	1.20
7518SEI16	16-8	8	32	19.2	30	20	104	-	2.70
7518SEI18	18/20-8	12.5	50	24	37	24	140	-	4.60

INNKORTINGSKROK EXCEL EN1677-1 GRADE 8

Excel® eye grab hook en1677-1, grade 8

- Material: alloy steel, grade 8, quenched and tempered
- Safety factor: MBL equals 4 x WLL
- Standard: EN 1677-1
- Finish: painted yellow (J) or red (R)
- Certification: at no extra charge this product can be supplied with a works certificate, a 3.1 certificate and/or EC Declaration of Conformity

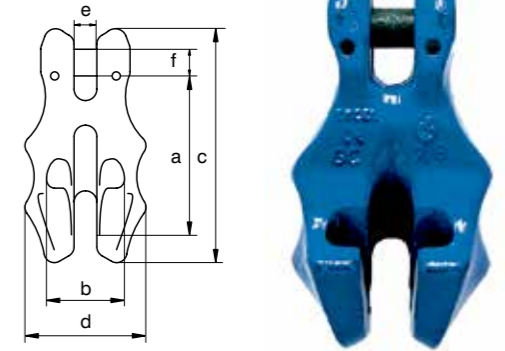


TYPE	WLL T	CHAIN INCH	KJETTING MM	A MM	B MM	C MM	D MM	E MM	F MM	G MM	H MM	I MM	KG
CRO7/8J OR R	2	1/4-5/16	7-8	52	20	20	10	33	23	46	108	8	0.31
CRO10J OR R	3.2	3/8	10	53	29	29	12	41	28	58	123	10	0.53
CRO13J OR R	5.4	1/2	13	89	43	39	15	56	40	78	192	18	1.63
CRO16J OR R	8.2	5/8	16	103	44	41	18	66	43	96	211	20	2.49
CRO20J OR R	12.8	3/4	20	130	37	37	22	75	48	128	241	26	4.3
CRO22J OR R	15.5	7/8	22	120	44	44	25	77	57	132	247	26	4.75
CRO26J OR R	21.6	1	26	158	46	46	30	100	82	177	320	32	10
CRO32J OR R	32.8	1 1/4	32	210	57	57	38	91	88	215	395	39	19.7

INNKORTINGS KROK EXCEL GRADE 80

Excel® shortening clutch, grade 10

- Material: alloy steel, grade 10, quenched and tempered
- Safety factor: MBL equals 4 x WLL
- Finish: painted blue
- Certification: at no extra charge this product can be supplied with a works certificate, a 3.1 certificate and/or EC Declaration of Conformity

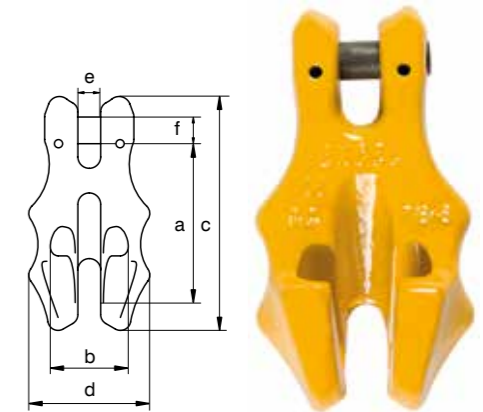


TYPE	WLL T	CHAIN INCH	KJETTING MM	A MM	B MM	C MM	D MM	E MM	F MM	KG
UGC6	1.4	7/32	6	54	22	75	42	7	8	0.22
UGC8	2.5	5/16	8	69	30	94	50	8	10	0.41
UGC10	4	3/8	10	79	37	116	63	11	13	0.82
UGC13	6.7	1/2	13	105	48	149	79	14	16	1.67
UGC16	10	5/8	16	129	60	185	100	17	20	3.1

INNKORTINGSKROK EXCEL GRADE 8

Excel® shortening clutch, grade 8

- Material: alloy steel, grade 8, quenched and tempered
- Safety factor: MBL equals 4 x WLL
- Standard: EN 1677-1
- Finish: painted yellow (J) or red (R)
- Certification: at no extra charge this product can be supplied with a works certificate, a 3.1 certificate and/or EC Declaration of Conformity



TYPE	WLL T	CHAIN INCH	KJETTING MM	A MM	B MM	C MM	D MM	E MM	F MM	KG
GC6J OR R	1.12	7/32	6	54	22	75	42	7	8	0.22
GC7/8J OR R	2	1/4 - 5/16	7-8	69	30	94	50	8	9	0.41
GC10J OR R	3.2	3/8	10	79	37	116	63	11	13	0.82
GC13J OR R	5.4	1/2	13	105	48	149	79	14	16	1.67
GC16J OR R	8.2	5/8	16	129	60	185	100	17	20	3.1
GC18/20J OR R	12.8	3/4	18-20	140	75	205	111	22	24	4.02



**G-KROK, BOSS**

G-Hook, Boss



VARE NR PART NO	WLL 5 : 1 TON	BRUDDLAST BREAKING LOAD TON	A MM	B MM	D MM	TYKKELSE THICKNESS MM	VEKT WEIGHT KG
75182003G	3	15	122	76	23	25	0.90
75182006G	6	30	178	104	35	33	2.70

G-KROK, VIKING

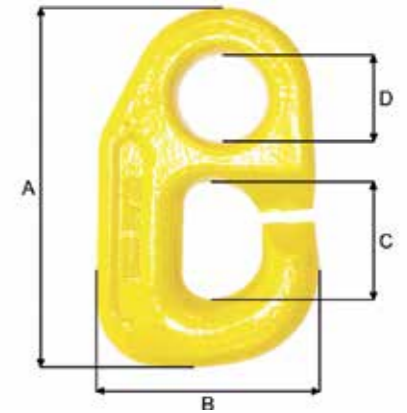
G-Hook, Viking

Høy strekkfasthet
High tensile steel

VARE NR PART NO	WLL 5 : 1 TON	A MM	B MM	C MM	C1 MM	D MM	TYKKELSE THICKNESS MM	VEKT WEIGHT KG
7519EVG03	3	115	70	30	30	17	20	0.65
7519EVG05	5	132	82	38	38	17	26	1.20
7519EVG08	8	153	97	42	42	18	30	1.90
7519EVG10	10	180	115	40	30	18	35	3.30
7519EVG15	15	215	136	50	40	18	45	6.05
7519EVG20	20	240	155	60	50	27	50	8.40

**SMETTLØKKE, DV VIKING**

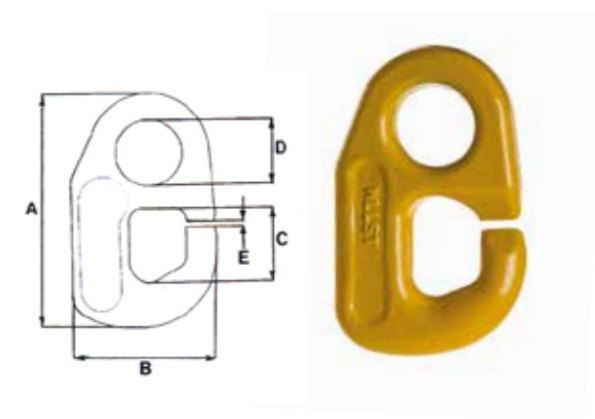
G-Hook Viking, DV

Høy strekkfasthet
High tensile steel

VARE NR PART NO	WLL 5 : 1 TON	A MM	B MM	C MM	D MM	VEKT WEIGHT KG
752128	3.0	115	70	29	30	0.7
752129	5.0	130	80	34	36	1.1
752130	8.0	145	90	41	42	1.6

SMETTLØKKE DV, SELSTAD

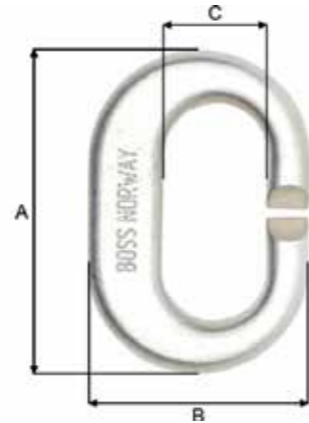
Split link, DV, Selstad

Høy strekkfasthet
High tensile steel

VARE NR PART NO	WLL 5 : 1 TON	BRUDDLAST BREAKING LOAD TON	A MM	B MM	C MM	D MM	E MM	VEKT WEIGHT KG
7521SEDV03	3	15	119	72	41	30	3	0.73
7521SEDV05	5	25	137	84.5	42	35	3	1.2

**SMETTLØKKE BOSS DL 18 - 22**

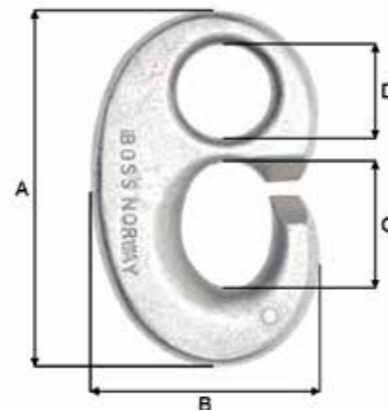
Boss split link, DL 18 - 22

Rustfritt syrefast stål
Acid proof stainless steel

VARE NR PART NO	TYPE TYPE	WLL 5 : 1 TONN	A MM	B MM	C MM	VEKT WEIGHT KG
752118	DL18	0.2	78	45	18	0.17
752119	DL19	0.4	79	50	24	0.27
752120	DL20	0.5	82	55	24	0.30
752121	DL21	1.4	108	63	25	0.70
752122	DL22	1.3	106	68	33	0.60

SMETTLØKKE, BOSS DL 26 - 28

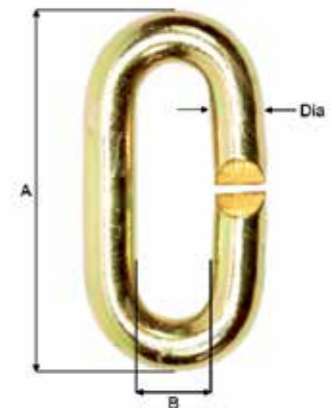
Boss split link, DL 26 - 28

Rustfritt syrefast stål
Acid proof stainless steel

VARE NR PART NO	TYPE TYPE	WLL 5 : 1 TONN	A MM	B MM	C MM	D MM	VEKT WEIGHT KG
752126	DL 26	2.4	150	95	38	28	1.65
752127	DL 27	5.0	212	132	58	31	3.60

**SMETTLØKKE, CHROM**

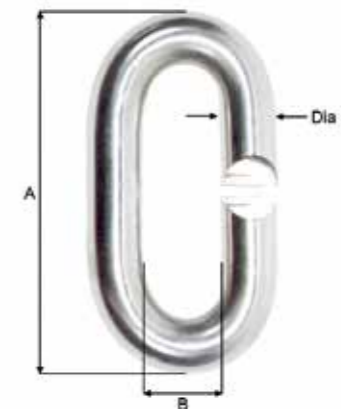
Split link, chrom

Chrom stål
Chrome steel

VARE NR PART NO	WLL 5 : 1 TONN	STØRRELSE SIZE Ø	A MM	B MM	VEKT WEIGHT KG
7520CR14	0.50	14 MM	60.00	18.00	0.20
7520CR16	0.70	16 MM	72.00	21.00	0.33
7520CR19	1.40	19 MM	80.00	23.00	0.55
7520CR22	1.80	22 MM	88.00	27.00	0.75

SMETTLØKKE, RUSTFRI

Split link, stainless steel

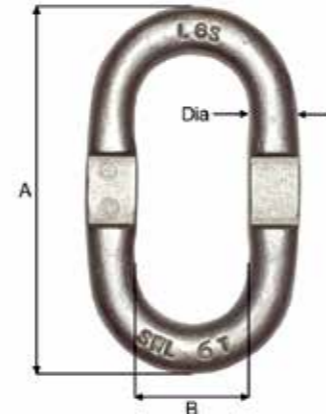


VARE NR PART NO	WLL 5 : 1 TONN	STØRRELSE SIZE Ø	A MM	B MM	VEKT WEIGHT KG
752010	0.20	10 MM	50	16	0.085
752012	0.30	13 MM	55	18	0.165
752016	0.40	16 MM	72	21	0.330
752019	0.50	19 MM	80	24	0.500
752022	0.60	22 MM	88	27	0.750

**BOSS, F LØKKE**

Boss, F link

Rustfritt syrefast stål
Glatt overflate
Acid proof stainless steel
Barrel polished



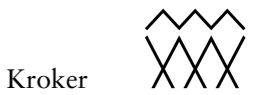
VARE NR PART NO	TYPE TYPE	WLL 5 : 1 TONN	BRUDDLAST BREAKING LOAD TONN	STØRRELSE SIZE Ø MM	A MM	B MM	VEKT WEIGHT KG
75182003F	L3S	3	15	16	98	38	0.80
75182006F	L6S	6	30	22	125	51	1.50

FLATLØKKE, EVM

Master link, EVM

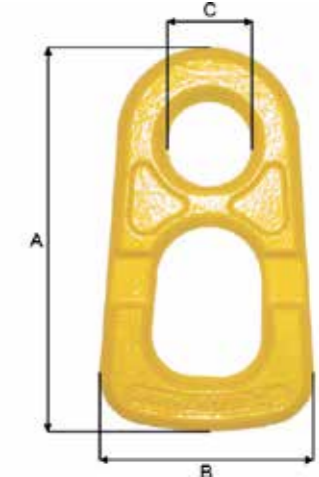


VARE NR PART NO	WLL 5 : 1 TON	STØRRELSE SIZE Ø MM	A MM	B MM	RECESSED LINK MM	VEKT WEIGHT KG
751825EVM100	10	21	97	36	14	0.8
751825EVM120	12	25	118	48	16	1.7
751825EVM150	15	30	165	75	17	2.8
751825EVM200	20	34	180	85	25	4.2

**KELLYØYE, VIKING EVR 08/10**

Kelly's eye Viking, EVR 08-10

Høy strekkfasthet
High tensile steel

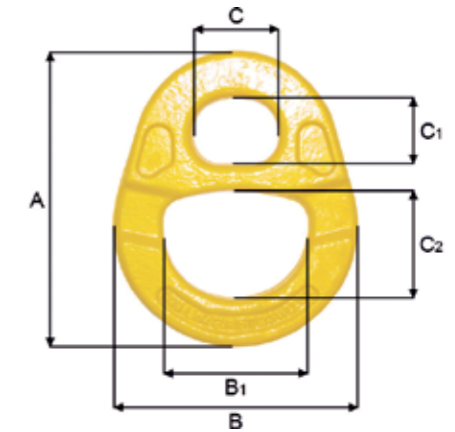


VARE NR PART NO	WLL 5 : 1 TONN	TYKKELSE THICKNESS MM	A MM	B MM	C MM	RECESSED LINK MM	VEKT WEIGHT KG
7519EVR08	8	22	175	97	38	15	1.4
7519EVR10	10	25	205	140	40	17	2.5
7519EVR15	15	-	-	-	-	-	-
7519EVR20	20	-	-	-	-	-	-

KELLYØYE VIKING, EVR 15/20

Kelly's eye Viking, EVR 15-20

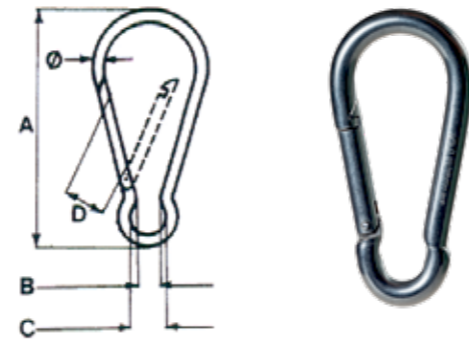
Høy strekkfasthet
High tensile steel



VARE NR PART NO	WLL 5 : 1 TONN	TYKKELSE THICKNESS MM	A MM	B MM	B1 MM	C MM	C1 MM	C2 MM	RECESSED LINK MM	VEKT WEIGHT KG
7519EVR15	15	25	185	150	90	52	40	65	17	2.2
7519EVR20	20	41	225	185	125	80	45	106	25	5.1

**CARABINKROK, GALVANISERT**

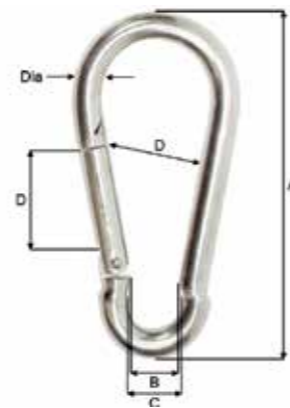
Carabine hook, galvanized



VARE NR PART NO	DIMENSJON SIZE Ø MM	WLL 5 : 1 TON	A MM	B MM	C MM	D MM	VEKT WEIGHT KG/100
750807GA	7	0.18	70	7	10	9	4.40
750809GA	9	0.24	90	9	12	11	9.00
750810GA	10	0.25	100	9	12	11	9.20
750811GA	11	0.35	120	11	15	12	13.00
750812GA	12	0.45	140	12	16	17	18.60

CARABINKROK, RUSTFRI

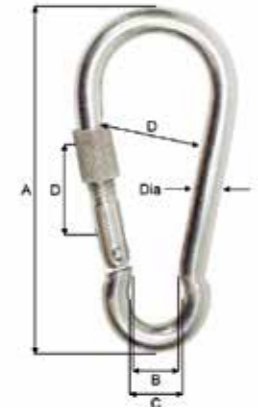
Carabine hook, stainless steel



VARE NR PART NO	DIMENSJON SIZE Ø MM	WLL 5 : 1 TON	A MM	B MM	C MM	D MM	VEKT WEIGHT KG/100
750805SS	5	0.10	50	6	10	8	1.90
750806SS	6	0.12	60	8	11	9	2.80
750807SS	7	0.18	70	8	13	9	4.40
750808SS	8	0.23	80	8	13	9	6.60
750810SS	10	0.35	100	10	16	12	13.00
750811SS	11	0.45	120	11	18	16	19.00
750812SS	12	0.57	140	13	20	19	25.60

**CARABINKROK, RUSTFRI MED LÅS**

Carabine hook, stainless steel w/lock



VARE NR PART NO	DIMENSJON SIZE Ø MM	WLL 5 : 1 TON	A MM	B MM	C MM	D MM	VEKT WEIGHT KG/100
750806SSL	6	0.30	60	7	9	8	2.90
750808SSL	8	0.70	80	9	13	8	7.20
750810SSL	10	1.10	100	12	16	10	13.20
750811SSL	11	1.30	120	13	19	15	19.10

P - LEDD, GALVANISERT

Quick link, galvanized



VAREN PART NO	DIMENSJON SIZE Ø MM	WLL 5 : 1 TONN	A MM	B MM	C MM	VEKT WEIGHT KG/100
7515PG03	3	0.13	29	10	4.5	1.2
7515PG04	4	0.18	31	11	5.5	2.1
7515PG05	5	0.28	39	13	6.5	3.5
7515PG06	6	0.40	59	14	15.0	4.2
7515PG08	8	0.70	58	17	13.0	7.7
*7515PG08L	8	0.65	72	17	18.0	9.3
7515PG10	10	1.00	85	20	20.0	16.0
7515PG12	12	1.25	100	23	23.0	27.0
7515PG14	14	2.00	115	27	27.0	42.0
7515PG16	16	2.50	129	30	30.0	62.5
7515PG18	18	3.00	143	33	33.0	88.0
7515PG20	20	3.60	159	36	37.0	122.0

*=LANG / LONG

**P - LEDD, RUSTFRI**

Quick link, stainless steel



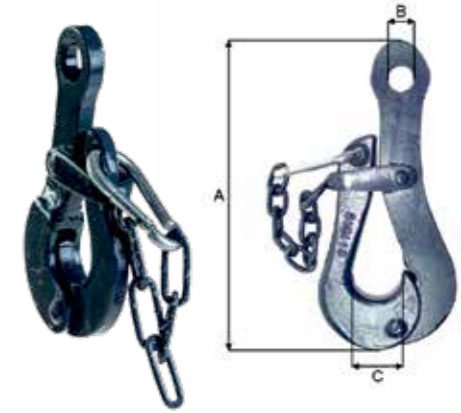
VARENR PART NO	DIMENSJON SIZE Ø MM	WLL 5 . 1 TONN	A MM	B MM	åpning Opening MM	VEKT WEIGHT kg/100
7515PR04	4	0.28	31	11	5.0	1.2
7515PR05	5	0.45	39	13	6.5	2.1
7515PR06	6	0.65	45	14	7.5	3.5
7515PR06L*	6	0.58	59	14	15	4.2
7515PR08	8	1.10	58	17	17.5	7.7
7515PR08L*	8	0.98	72	17	18	9.3
7515PR10	10	1.60	85	20	20	16
7515PR10L*	10	1.40	80	22	18.5	16
7515PR12	12	2.20	100	23	23	27
7515PR12L*	12	2.00	102	25	23.5	27
7515PR14	14	3.10	115	27	27	42
7515PR14L*	14	2.90	114	28	23.5	42
7515PR16	16	4.00	150	38	28	75
7515PR19	19	5.50	175	43	32	120
7515PR22	22	7.00	210	60	36	190
7515PR16P*	16	2.30	144	63	29	80

*=LANG / LONG
P*=PÆRE FOR

**SLIPPKROK**

Slip hook

Blåmalt
Blue painted



VARE NR PART NO	DIM TOMMER SIZE INCH	WLL 5 . 1 TON	A MM	B MM	C MM	VEKT WEIGHT KG
7518BS06	6"	1	165	18	32	0.84
7518BS10	10"	1.5	254	19	48	2.05
7518BS12	12"	2.8	320	27	49	3.85
7518BS14	14"	4.8	350	27	50	5.75
7518BS15	15"	7	385	36	40	9.6
7518BS16	16"	11	385	36	64	17.80
7518BS16H	16"	14	400	42x46	65	19.50

SLIPPHAKE

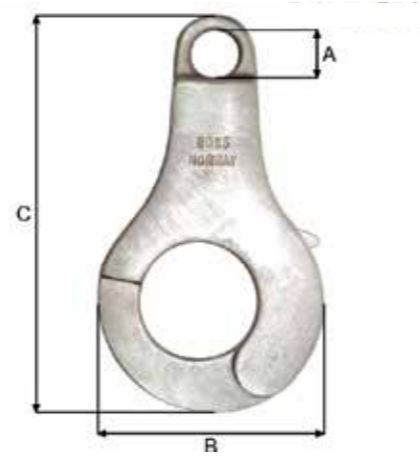
Slip hook



VARE NR PART NO	DIMENSJON SIZE TOMMER INCH
80036	1/2"

**UTLØSERKROK, BOSS**

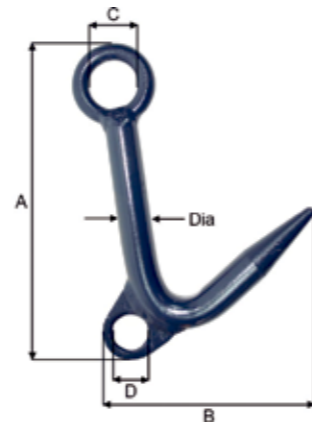
Quick release hook, Boss

Glatt overflate
Barrel polished

VARE NR PART NO	WLL TON	BRUDDLAST BREAKING LOAD TONN	A MM	B MM	C MM	D MM	E MM	VEKT WEIGHT KG
7518TOW10	1.00	5.00	80	160	283	31	6	4.00
7518TOW15	9.60	48.00	75	200	340	68	7	15.80

YO-YO KROK

Yo-yo hook

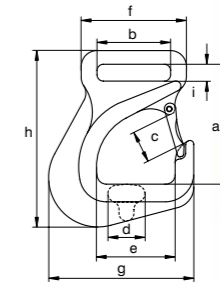
Blå malt
Blue painted

VARE NR PART NO	TYPE TYPE	SWL TON	DIAMETER SIZE Ø MM	A MM	B MM	C MM	D MM	VEKT WEIGHT KG
7518JO10	BG48	3.0	30	280	170	40	30	2.20
7518JO20	BG48L	5.0	40	300	185	40	30	3.90

**BÅND-STROPP KROK EXCEL, GRADE 8**

Excel® flat web sling hook, grade 8

- Material: alloy steel, grade 8, quenched and tempered
- Safety factor: MBL equals 4 x WLL
- Finish: painted yellow
- Certification: at no extra charge this product can be supplied with a works certificate, a 3.1 certificate and/or EC Declaration of Conformity.

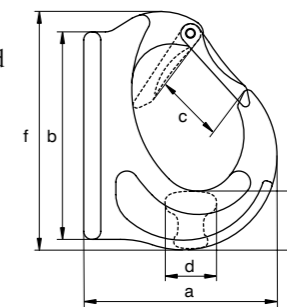


TYPE	WLL T	A MM	B MM	C MM	D MM	E MM	F MM	G MM	H MM	I MM	WEIGHT KG
CST75J	3	132	79	34	40	75	113	148	199	25	2.63

GRAVEMASKIN KROK EXCEL, GRADE 8

Excel® excavator hook, grade 8

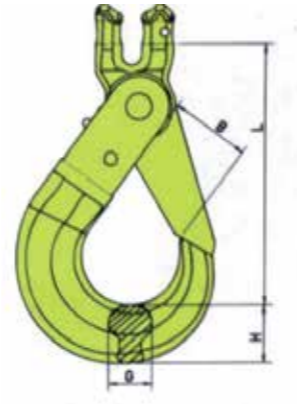
- Material: alloy steel, grade 8, quenched and tempered
- Safety factor: MBL equals 4 x WLL
- Finish: painted yellow (J)
- Certification: at no extra charge this product can be supplied with a works certificate, a 3.1 certificate and/or EC Declaration of Conformity.
- Note: respect welding instructions



TYPE	WLL T	A MM	B MM	C MM	D MM	E MM	F MM	G MM	WEIGHT KG
GH0.75J	0.75	59	71	22	14	21	82	20	0.24
GH1J	1	72	78	25	19	28	108	26	0.52
GH2J	2	92	85	33	20	28	114	34	0.7
GH3J	3	105	104	33	26	32	129	34	1.15
GH4J	4	121	130	38	27	37	148	38	1.66
GH5J	5	138	150	43	28	46	167	44	2.36
GH8J	8	145	148	43	42	53	173	51	3.32
GH10J	10	178	197	60	47	61	225	67	6.44
GH15J	15	185	226	65	62	70	251	80	9.7

**SIKKERHETSKROK, BKG GRABIQ**

Safety hook, BKG Grabiq

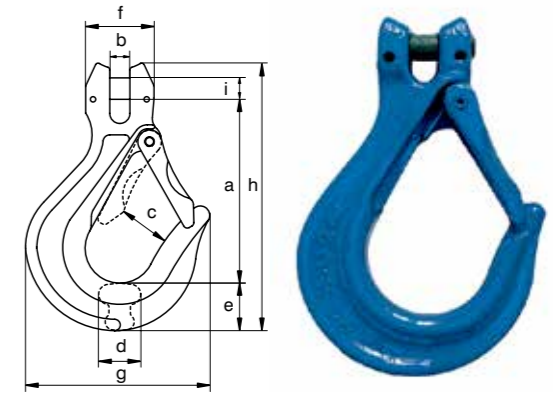


VARE NR PART NO	TYPE TYPE	WLL TONN	L MM	B MM	G MM	H MM	VEKT WEIGHT KG
7518BKG06	BKG 6-10 +	1.5	91	29	15	21	0.5
7518BKG08	BKG 8-10 +	2.5	121	37	17	26	0.9
7518BKG108	BKG 10-10+	4.0	144	45	21	31	1.5
7518BKG138	BKG 13-10+	6.7	180	55	30	40	3.0
7518BKG168	BKG 16-10+	10.0	219	62	37	50	5.5

GAFFEL SLING KROK EXCEL, GRADE 10

Excel® clevis sling hook, grade 10

- Material: alloy steel, grade 10, quenched and tempered
- Safety factor: MBL equals 4 x WLL
- Finish: painted blue
- Certification: at no extra charge this product can be supplied with a works certificate, a 3.1 certificate and/or EC Declaration of Conformity

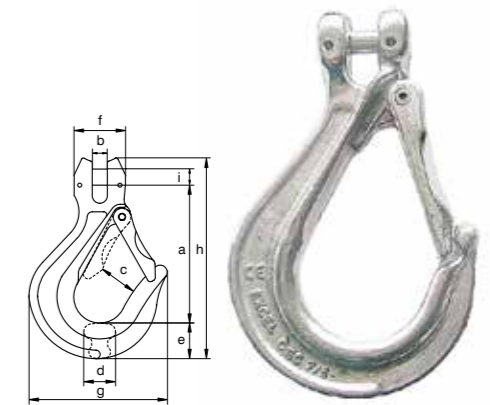


TYPE	WLL T	CHAIN INCH	KJETTING MM	A MM	B MM	C MM	D MM	E MM	F MM	G MM	H MM	I MM	KG
UCSC6	1.4	7/32	6	76	7	27	15	19	28	73	108	8	0.29
UCSC8	2.5	5/16	8	95	9	30	20	22	32	85	133	10	0.54
UCSC10	4	3/8	10	113	11	33	24	28	42	106	164	13	1.11
UCSC13	6.7	1/2	13	138	15	35	32	40	54	133	208	16	2.12
UCSC16	10	5/8	16	161	18	43	40	44	67	165	240	20	3.78

GAFFEL SLING KROK, RUSTFRI GP

Excel® stainless steel, clevis sling hook

- Material: AISI 316L
- Safety factor: MBL equals 4 x WLL
- Finish: polished
- Certification: at no extra charge this product can be supplied with a works certificate, a 3.1 certificate and/or EC Declaration of Conformity



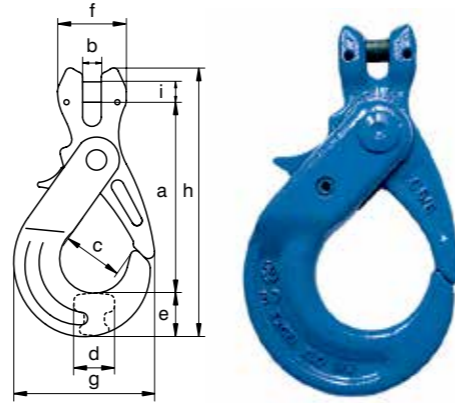
TYPE	WLL T	CHAIN INCH	KJETTING MM	A MM	B MM	C MM	D MM	E MM	F MM	G MM	H MM	I MM	KG
CSC5I	0.5	3/16	5	76	7	25	15	19	27	73	108	6	0.29
CSC6I	0.7	7/32	6	76	7	25	15	19	27	73	108	8	0.29
CSC7/8I	1.2	1/4-5/16	7-8	95	9	28	20	22	32	85	133	9	0.55
CSC10I	1.6	3/8	10	113	11	28	24	28	41	106	164	13	0.97
CSC13I	2.7	1/2	13	138	15	38	32	40	52	133	208	16	1.86



**GAFFEL SIKKERHETSKROK EXCEL, GRAD 10**

Excel@ clevis self locking hook, grade 10

- Material: alloy steel, grade 10, quenched and tempered
- Safety factor: MBL equals 4 x WLL
- Finish: painted blue
- Certification: at no extra charge this product can be supplied with a works certificate, a 3.1 certificate and/or EC Declaration of Conformity

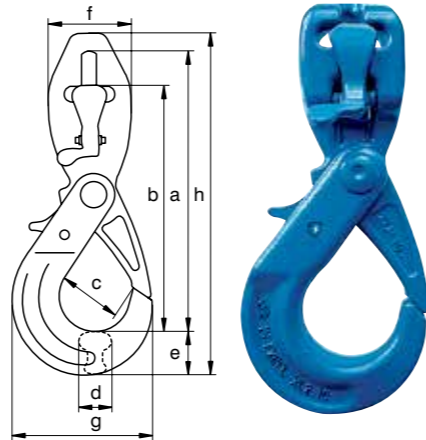


TYPE	WLL T	CHAIN INCH	KJETTING MM	A MM	B MM	C MM	D MM	E MM	F MM	G MM	H MM	I MM	KG
UXLC0	1.4	7/32	6	92	7	32	16	26	28	77	131	8	0.49
UXLC1	2.5	5/16	8	116	9	43	23	29	32	92	161	10	0.91
UXLC2	4	3/8	10	143	11	47	32	35	42	111	200	13	1.77
UXLC3	6.7	1/2	13	167	14	61	37	45	54	142	242	16	3.33
UXLC4	10	5/8	16	201	18	74	43	54	68	185	293	20	6.75

INNKORTING-SIKKERHETSKROK EXCEL, GRAD 10

Excel@ shortening self locking hook, grade 10

- Material: alloy steel, grade 10, quenched and tempered
- Safety factor: MBL equals 4 x WLL
- Finish: painted blue
- Certification: at no extra charge this product can be supplied with a works certificate, a 3.1 certificate and/or EC Declaration of Conformity
- Note: supplied with chain stopper UAXLR

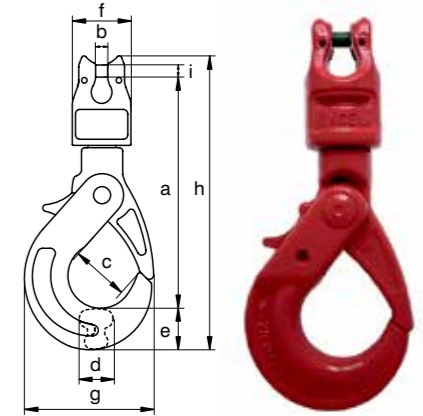


TYPE	WLL T	CHAIN INCH	KJETTING MM	A MM	B MM	C MM	D MM	E MM	F MM	G MM	H MM	KG
UXLR8	2.5	5/16	8	170	143	43	23	29	51	92	211	1.35
UXLR10	4	3/8	10	218	187	47	32	35	64	111	267	2.58
UXLR13	6.7	1/2	13	257	217	61	37	45	83	142	320	4.87

SVIVEL-GAFFEL SIKKERHETSKROK EXCEL, EN1677-3 GRADE 8

Excel@ swivel clevis self locking hook en1677-3, grade 8

- Material: alloy steel, grade 8, quenched and tempered
- Safety factor: MBL equals 4 x WLL
- Standard: EN 1677-3
- Finish: painted red (R)
- Certification: at no extra charge this product can be supplied with a works certificate, a 3.1 certificate and/or EC Declaration of Conformity
- Note: equipped with ball bearings



TYPE	WLL T	CHAIN INCH	KJETTING MM	A MM	B MM	C MM	D MM	E MM	F MM	G MM	H MM	I MM	KG
XLB05R	0.8	3/16	5	129	7	32	16	26	35	77	167	6	0.7
XLB0R	1.12	7/32	6	129	7	32	16	26	35	77	167	8	0.7
XLB1R	2	1/4-5/16	7-8	165	9	43	23	29	41	92	211	9	1.3
XLB2R	3.2	3/8	10	200	11	47	32	35	49	111	257	13	2.33
XLB3R	5.4	1/2	13	245	15	61	37	45	60	142	314	16	4.55
XLB4R	8.2	5/8	16	295	18	74	39	56	80	185	388	20	8.6

RESERVEDELER, BK-LÅS KOMPLETT

Spareparts BK



VARE NR PART NO	TYPE TYPE
7518BKRE05	BK 6/7-8
7518BKRE07	BK 7/8-8
7518BKRE10	BK 10-8
7518BKRE13	BK 13-8
7518BKRE16	BK 16-8
7518BKRE18	BK18/20-8

RESERVEDELER, OKN/GNK

Spareparts OKN/GNK



VARE NR PART NO	TYPE TYPE
7518OKNRE568	OKN 5/6-8
7518OKNRE788	OKN 7/8-8
7518OKNRE108	OKN 10-8
7518OKNRE138	OKN 13-8
7518OKNRE168	OKN 16-8



BLOKKER, TALJER OG VINSJER

BLOKKER S. 64

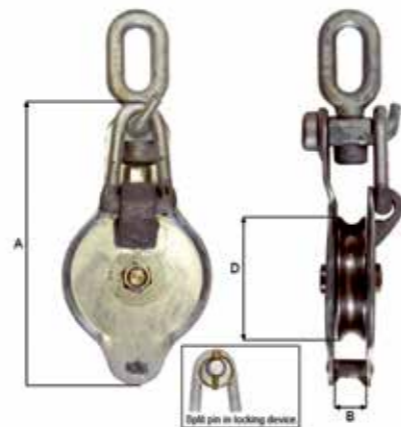
TALJER S. 74

VINSJER S. 78

BLOKKVOGN S. 79

**KASTBLOKK GALVANISERT, BLUE LINE**

Snatch block galvanized, Blue Line

Galvanisert,
Herdet skive,
Kulelager,
Sertifikat.*Galvanized,
Flame hardened sheave,
Ball bearing,
Certificate.*

VARE NR PART NO	TYPE	WLL 5:1 TON	MAX LOAD ON HEADFITTING TON	TEST LOAD TON	A MM	B MM	D MM	I MM	MAX WIRE MM	VEKT WEIGHT KG
7535KS2EC	KS2	2	4	4	225	24	110	23	48	3.7
7535KS3EC	KS3	3	6	6	300	28	150	30	18	7.5
7535KS4EC	KS4	4	8	8	330	35	185	33	22	13.5
7535KS6EC	KS6	6	12	12	378	41	210	35	24	19.4

KASTBLOKK GALVANISERT, BLUE LINE

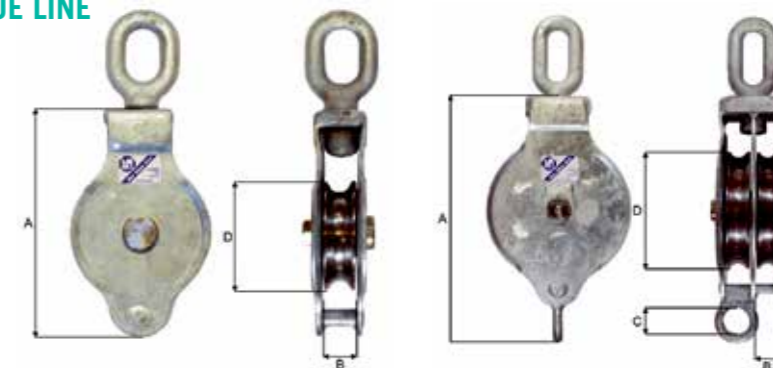
Snatch block galvanized, Blue Line

Galvanisert,
Kulelager,
Svivel øye ovalt,
Sertifikat.*Galvanized,
Ball bearing,
Swivel eye oval,
Certificate.*

VARE NR PART NO	TYPE	WLL 5:1 TON	MAX LOAD ON HEADFITTING TON	TEST LOAD TON	A MM	B MM	D MM	E MM	F MM	G MM	I MM	VEKT WEIGHT KG
7535KS1101EG	KS110	3.0	6	12	255	85	110	68	85	70	45	10
7535KS1501EG	KS150	5.0	10	20	330	85	150	75	85	110	55	19.2
7535KS215EPC	KS215	8.0	16	32	425	100	215	95	100	170	63	39.5

**TRIOBLOKK KT, GALVANISERT, BLUE LINE**

Trio block, Blue Line

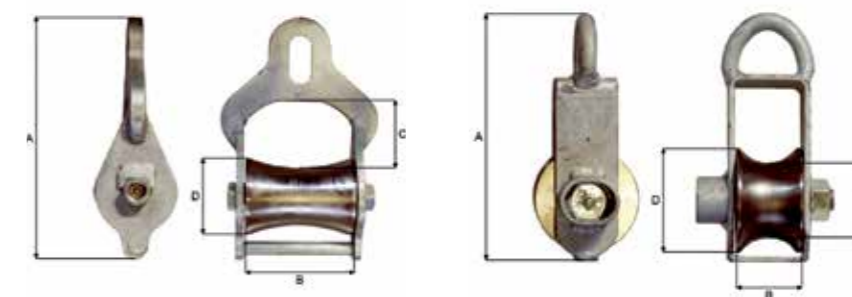
Galvanisert,
Kulelager,
Hundsvot,
Sertifikat.*Galvanized,
Ball bearing,
Becket,
Certificate.*

TYPE DOBBEL	WLL 5:1 TON	MAX LOAD ON HEADFITTING TON	TEST LOAD TON	A MM	B MM	C MM	D MM	MAX WIRE MM	VEKT WEIGHT KG
KT1D	1	2	4	187	22	16	80	16	3.1
KT2D	2	4	8	224	24	22	110	18	5.2
KT3D	3	6	12	296	28	31	150	20	11.0
KT4D	4	8	16	385	35	40	185	22	19.0
KT6D	6	12	24	425	42	40	210	24	27.8

TYPE ENKEL	WLL 5:1 TON	MAX LOAD ON HEADFITTING TON	TEST LOAD TON	A MM	B MM	D MM	HUNDSVOT BECKET MM	MAX WIRE MM	VEKT WEIGHT KG
KT1	1	2	4	163	22	80	16	16	1.7
KT2	2	4	8	195	24	110	22	18	3.1
KT3	3	6	12	267	28	150	31	20	6.4
KT4	4	8	16	330	35	185	40	22	11.1
KT6	6	12	24	365	42	210	40	24	17.0

LINEBLOKK KA TYPE, BLUE LINE

Lazy line block, Blue Line

Galvanisert,
Bronse lager,*Galvanized,
Bronze bushing.*

VARE NR PART NO	TYPE	WLL 5:1 TON	A MM	B MM	C MM	D MM	VEKT WEIGHT KG
7535KA050	KA050	1	190	50	55	75	2.5
7535KA100	KA100	2	280	85	85	75	4.8
7535KA150	KA150	3	350	150	100	100	11.0

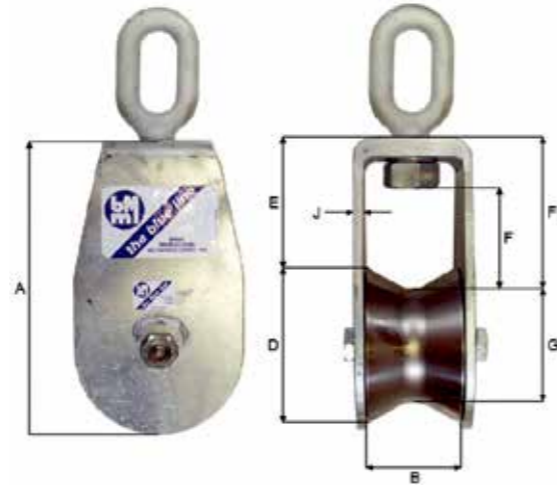


TRÅLBLOKK, BLUE LINE

Trawl block, Blue Line

Galvanisert,
Herdet skive,
Kulelager.

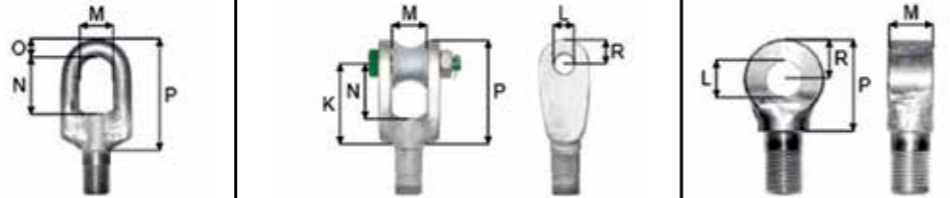
Galvanized,
Flame hardened sheave,
Ball bearing.



TYPE	WLL 5 : 1 TON	A MM	B MM	D MM	E MM	F MM	F1 MM	G MM	J MM	VEKT WEIGHT KG
K 170	6	305	100	170	140	100	163	125	10	25
K 215	6	355	100	215	132	110	165	164	10	36.5
K 230	9	405	120	230	150	110	180	170	12	45
K 240	9	420	150	240	190	140	220	170	12	54
K 300	11	475	120	300	170	120	200	240	12	64
K 370-2	13	580	140	370	240	140	285	285	12	115
K 400-2	15	670	180	400	245	210	305	280	15	180

OPPHENG

Top fittings



TYPE	M N O P				K L M N R P						L M R P			
	MM	MM	MM	MM	MM	MM	MM	MM	MM	MM	MM	MM	MM	MM
K 130	33	82	24	134	104	23	40	65	30	134	29	42	35	93
K 170	40	90	26	153	104	23	40	65	30	134	33	46	42	100
K 215	40	90	26	181	104	23	40	65	30	134	33	46	42	100
K 230	48	100	32	192	140	29	52	84	35	175	39	50	45	115
K 240	48	100	32	192	140	29	52	84	35	175	39	50	45	115
K 300	48	105	28	203	140	29	52	84	35	175	43	58	50	125
K 370-2	58	110	50	220	165	39	70	103	50	215	51	72	60	145
K 400-2	58	110	50	225	165	51	85	115	65	260	51	72	60	145

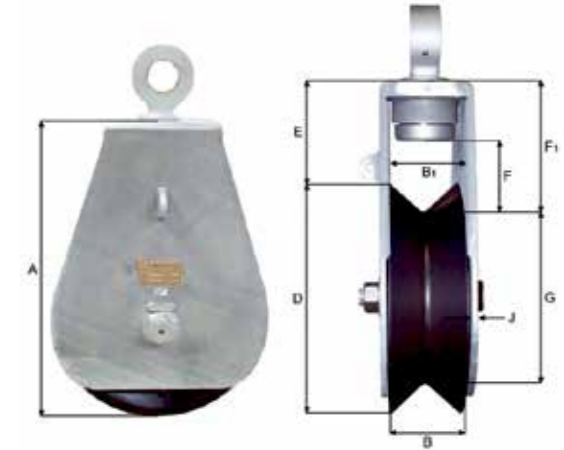


TRÅLBLOKK, BLUE LINE

Trawl block, Blue Line

Galvanisert,
Herdet skive,
Rullelager,
Aksial rullelager i topp.

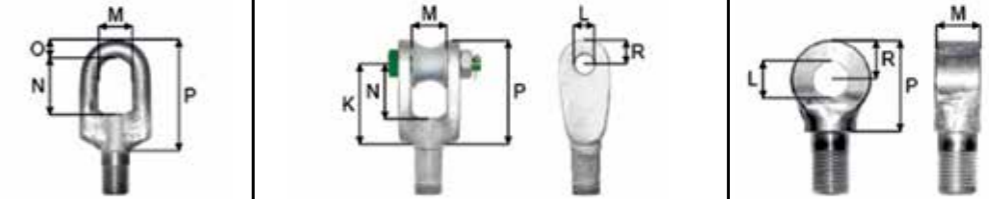
Galvanized,
Flame hardened sheave,
Roller bearing,
Thrust bearing on top.



TYPE	WLL 5 : 1 TON	MAX LOAD ON HEADFITTING TON	TEST LOAD	TEST								MAX WIRE MM	VEKT WEIGHT KG	
				A MM	B MM	B1 MM	D MM	E MM	F MM	F1 MM	G MM			J MM
K 370	13	26	52	580	140	140	370	260	120	245	285	12	28	115
K 400	15	30	52	670	180	180	400	245	180	305	300	15	28	185
K 500	20	40	70	785	180	180	500	285	185	345	380	20	30	275
K 600	30	60	95	910	180	180	600	310	190	380	180	20	32	360
K 650	30	60	95	975	240	220	650	335	225	415	500	20	34	500
K 800	40	80	120	1120	240	220	800	340	240	440	600	20	38	750
K 1000	60	120	165	1485	260	240	1000	485	270	570	825	25	44	1320

OPPHENG

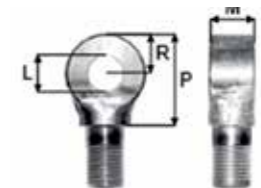
Top fittings



TYPE	M N O P				K L M N R P						L M R P			
	MM	MM	MM	MM	MM	MM	MM	MM	MM	MM	MM	MM	MM	MM
K 370	70	110	50	220	165	39	70	103	50	215	51	72	60	145
K 400	70	110	50	225	195	51	85	115	65	260	51	72	60	145
K 500	75	140	55	280	195	51	85	115	65	260	58	80	70	160
K 600	78	155	70	335	230	58	90	140	75	305	-	-	-	-
K 650	78	155	70	335	230	58	90	140	75	305	-	-	-	-
K 800	78	155	70	335	250	81	90	180	90	340	-	-	-	-

TYPE	L	M	P	R	N	Vekt Weight
ICEDAVIT	MM	MM	MM	MM	MM	
K 400	78	70	190	80	115	91
K 500	78	70	190	85	115	91
K 600	106	100	240	100	135	116
K 650	106	100	240	100	135	116
K 800	106	100	260	110	145	116
K 1000	125	160	300	130	170	150

Swivel shackle eye



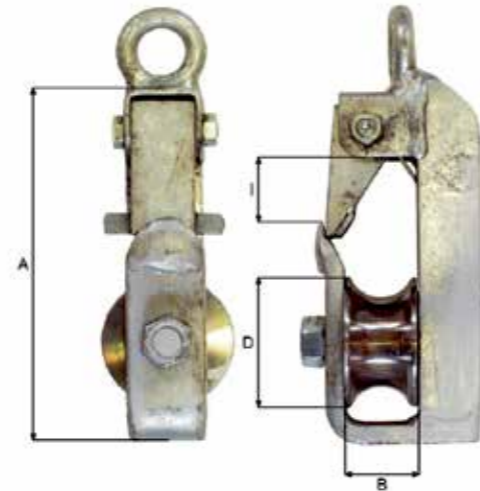


AFRIKABLOKK, BLUE LINE

Open sided block, Blue Line

Galvanisert,
Fast øye,
Swivel øye,
Bronse lager.

*Galvanized,
Firm eye,
Swivel eye,
Bronze bushing.*



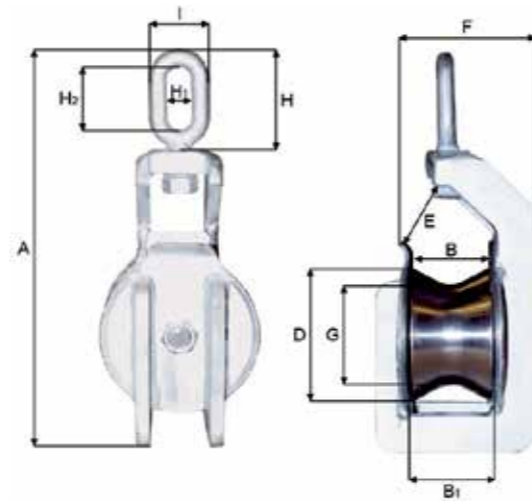
TYPE	WLL	MAX LOAD ON		TEST					VEKT
	5 : 1	HEADFITTING		LOAD	B1	D	E	F	WEIGHT
	TONN	TON	TON	TON	MM	MM	MM	MM	KG
KS 10	1.0	2.0	4.0	220	45	83	30	4.7	
KS 20	1.5	3.0	6.0	220	45	83	30	5.4	
KS 30	2.2	4.4	8.8	270	45	110	30	8.5	

AFRIKABLOKK, BLUE LINE

Open sided block, Blue Line

Galvanisert,
Rustfri skive,
Swivel øye,
Swivel krok.

*Galvanized,
Stainless steel sheave,
Swivel eye,
Swivel hook.*



TYPE	WLL	A	B	B1	D	E	F	G	H	H1	H2	I	VEKT
	5 : 1	MM	MM	MM	MM	MM	MM	MM	MM	MM	MM	MM	WEIGHT
	TONN	MM	MM	MM	MM	MM	MM	MM	MM	MM	MM	MM	KG
KPB150/85	2	440	85	90	150	60	145	110	110	28	68	68	18.5

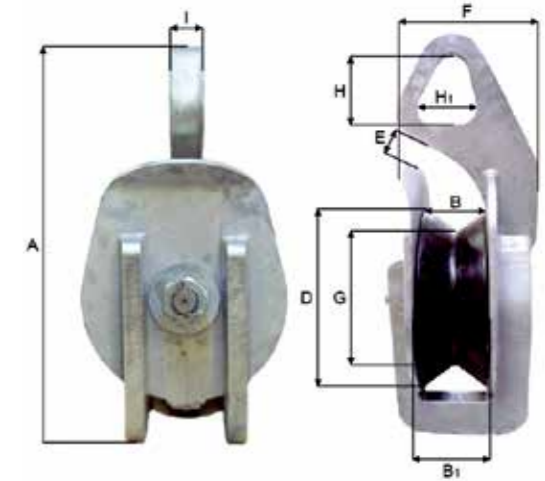


AFRIKABLOKK, BLUE LINE

Open sided block, Blue Line

Galvanisert,
Herdet skive,
Rullelager.

*Galvanized,
Flame hardened sheave,
Roller bearing.*



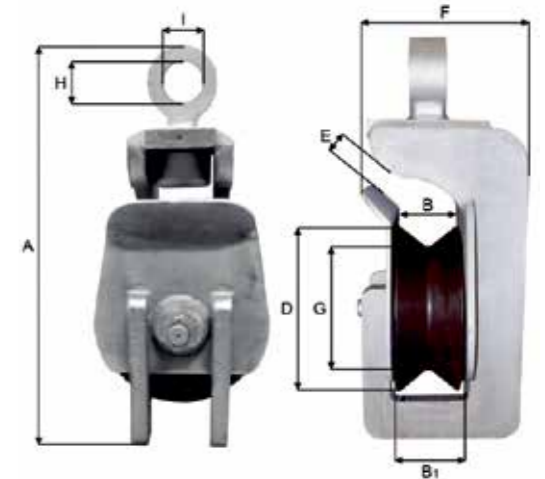
TYPE	WLL	A	B	B1	D	E	F	G	H	H1	I	VEKT
	5 : 1	MM	MM	MM	MM	MM	MM	MM	MM	MM	MM	WEIGHT
	TONN	MM	MM	MM	MM	MM	MM	MM	MM	MM	MM	KG
KP300	10	640	120	125	300	53	260	240	97	99	50	84
KP370	15	780	120	125	370	62	260	285	97	90	60	133

AFRIKABLOKK, BLUE LINE

Open sided block, Blue Line

Galvanisert,
Herdet skive,
Swivel øye,
Swivel gaffel,
Swivel sjakkel øye,
Icedavit,
Rullelager.

*Galvanized,
Flame hardened sheave,
Swivel eye,
Swivel fork,
Swivel shackle eye,
Eye for icedavit,
Roller bearing.*



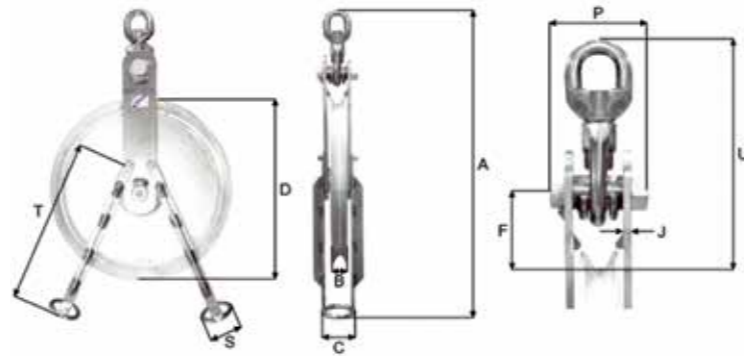
TYPE	WLL	A	B	B1	D	E	F	G	H	I	VEKT
	5 : 1	MM	MM	MM	MM	MM	MM	MM	MM	MM	WEIGHT
	TONN	MM	MM	MM	MM	MM	MM	MM	MM	MM	KG
KP500	20	1137	180	185	500	75	410	380	106	100	425
KP600	30	1247	180	185	600	93	410	480	106	100	555

**SONDEBLOKK, KT**

Net sounder block, KT

Rustfri
Rustfri skive,
Nylon skive,
Galvanisert skive.

Stainless steel body,
Stainless sheave,
Nylon sheave,
Galvanized sheave.

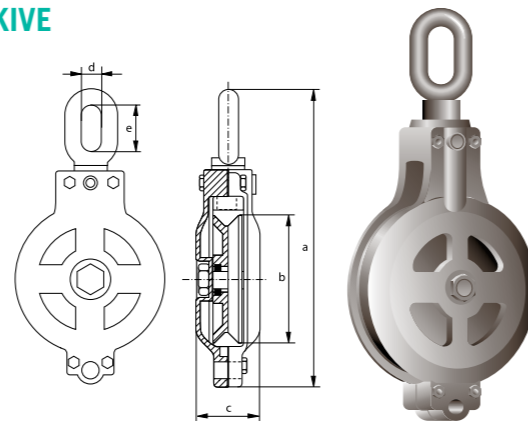


VARENØ	WLL	A	B	C	F	G	J	M	N	O	P	S	T	U	VEKT
PART NO	5 : 1 TONN	MM	MM	MM	MM	MM	MM	MM	MM	MM	MM	MM	MM	MM	KG
7535KT500ST	4	885	44	99	500	45	10	40	42	22	125	75	470	225	32.6

CARGO BLOKK AMERICAN PATTERN MED ØYE OG EN SKIVE

American pattern cargo blocks with eye, one sheave

- Material: carbon steel sheave with taper roller bearing
- Safety factor: MBL equals 4 x WLL
- Finish: painted
- Certification: test certificates can be supplied upon request
- Note: Working Load Limit is on the headfitting

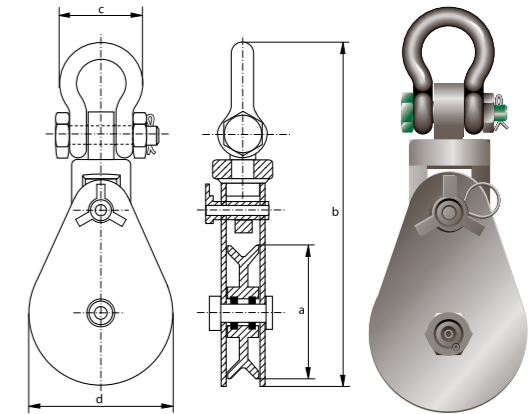


WORKING LOAD LIMIT	DIAMETER WIRE ROPE	LENGTH	DIAMETER	THICKNESS	WIDTH INSIDE	LENGTH INSIDE	WEIGHT EACH
T	MM	A MM	B MM	C MM	D MM	E MM	KG
4	10 - 13	437	156	82	35	75	11
6	20 - 22	512	200	104	35	75	20
6	20 - 22	610	260	130	40	85	27
10	20 - 22	750	305	165	54	125	40
10	20 - 24	840	355	165	54	125	55
20	24 - 26	1040	410	190	73	170	100
32	26 - 28	1018	430	192	73	170	125
40	26 - 28	1095	460	210	73	170	150

**KASTEBLOKK GP, TYPE 601S MED SJAKKEL**

Green pin® snatch blocks
Type 601S, with Green Pin® Shackle

- Material: carbon steel, fitted with conical roller bearings, except for blocks with WLL 2 t and 4 t, these are equipped with bronze bushes
- Safety factor: MBL equals 4 x WLL
- Finish: painted
- Certification: test certificates can be supplied upon request
- Note: Working Load Limit is on the headfitting



WORKING LOAD LIMIT	DIAMETER WIRE ROPE	DIAMETER OUTSIDE SHEAVE	LENGTH	WIDTH	WIDTH OUTSIDE	WEIGHT EACH
T	MM	A MM	B MM	C MM	D MM	KG
2	7 - 9	75	293	79	82	3.8
4	10 - 12	115	363	107	120	6.1
4	12 - 14	152	417	107	160	9.5
8	14 - 16	152	477	124	160	12.6
12	14 - 16	152	555	154	160	25
8	20 - 22	152	477	124	160	14.6
12	20 - 22	152	555	154	160	25
15	24 - 26	152	585	170	160	30
4	10 - 12	203	478	107	210	12
12	14 - 16	203	580	154	210	27.5
8	20 - 22	203	526	124	210	16
12	20 - 22	203	580	154	210	32
15	24 - 26	203	646	170	210	35
8	14 - 16	254	582	124	260	19.5

NEDHALINGSBLOKK

Downhaul block

Rustfri
Stainless steel

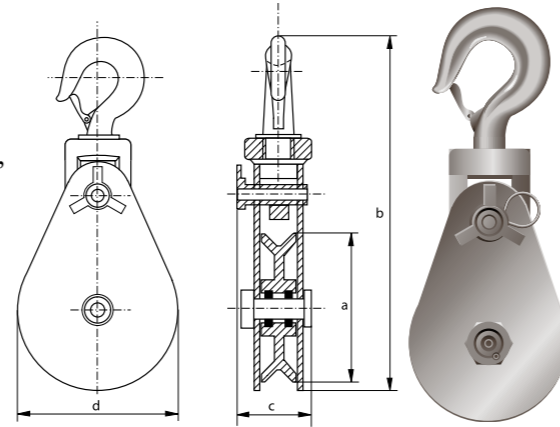


VARENØ	Størrelse
PART NO	Size
7535N35	3 1/2 "

**KASTBLOKK, TYPE 601H MED KROK**

Snatch blocks, Type 601H, with hook

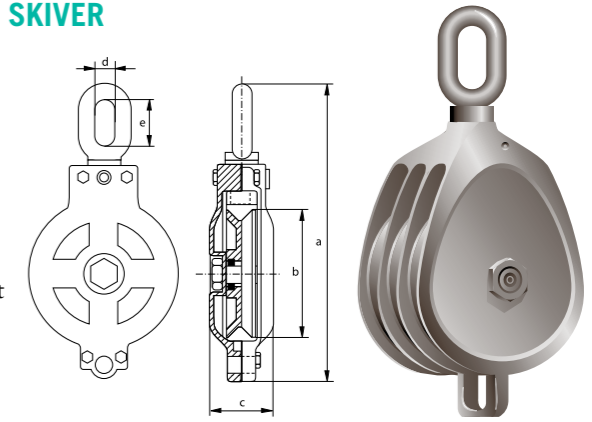
- Material: carbon steel, fitted with conical roller bearings, except for blocks with WLL 2 t and 4 t, these are equipped with bronze bushes
- Safety factor: MBL equals 4 x WLL
- Finish: painted
- Certification: test certificates can be supplied upon request
- Note: Working Load Limit is on the headfitting



WORKING LOAD LIMIT	DIAMETER WIRE ROPE	DIAMETER OUTSIDE SHEAVE	LENGTH	THICKNESS	WIDTH OUTSIDE	WEIGHT EACH
T	MM	A	B	C	D	KG
2	7 - 9	75	292	57	82	4
4	10 - 12	115	343	83	120	6.1
4	12 - 14	152	384	83	160	6
8	20 - 22	152	445	108	160	11.8
12	20 - 22	152	572	127	160	23
15	24 - 26	152	587	127	160	23
4	10 - 12	203	435	83	210	8
8	20 - 22	203	495	108	210	16.9
12	20 - 22	203	622	127	210	25
15	24 - 26	203	638	127	210	26
8	20 - 22	254	546	108	260	19
12	20 - 22	254	673	127	260	28
15	24 - 26	254	689	127	260	28
8	20 - 22	305	597	108	310	23
12	20 - 22	305	724	127	310	31
15	24 - 26	305	740	127	310	31
8	20 - 22	357	648	108	360	31
12	20 - 22	357	775	127	360	33
15	24 - 26	357	791	127	360	33
8	20 - 22	406	699	108	410	36
12	20 - 22	406	825	127	410	36
15	24 - 26	406	841	127	410	36
8	20 - 22	457	749	108	460	40
10	20 - 22	457	876	127	460	42
15	24 - 26	457	892	127	460	43

STÅLBLOKK MALLEABLE, GALVANISERT MED ØYE 3 SKIVERGalvanized malleable iron blocks
With eye, three sheaves, for use with wire or fibre rope

- Material: galvanized malleable iron
- Safety factor: MBL equals 4 x WLL
- Finish: hot dipped galvanized
- Certification: test certificates can be supplied upon request
- Note: Working Load Limit is on the headfitting

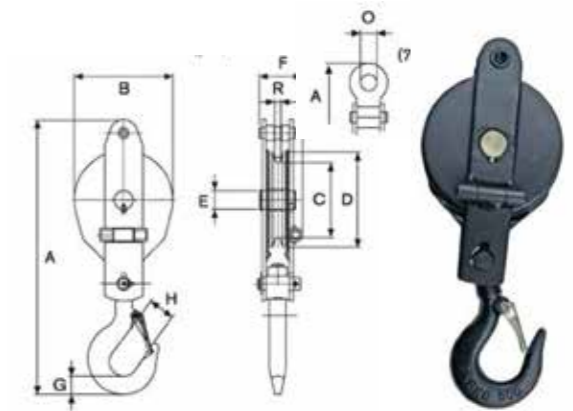


WORKING LOAD LIMIT	DIAMETER ROPE	LENGTH	LENGTH	DIAMETER	THICKNESS	WIDTH INSIDE	LENGTH INSIDE	WEIGHT EACH
T	MM	A	B	C	D	E	F	KG
0.6	12	170	120	45	83	14	25	1.5
1	16	229	154	62	90	18	37	2.6
1.5	18	287	190	82	103	24	52	4.1
3	24	342	235	98	133	30	59	7.8
3.9	28	392	284	136	155	30	59	14.5
5.4	30	485	350	174	166	44	70	25

SNATCH BLOCKS 71

Snatch blocks 71

- Easy rope fitting turn the suspension hook to open and place the rope
- Automatic locking when the hook is in its normal position. No loose parts
- Cast iron pulley with slide bearing type Glycodur
- Every Snatch Block is marked with its own manufacturing number and is load tested
- Test and CE-certificate enclosedV



W L L KG	MOD-EL	WEIGHT KG	A	B	Ø C	Ø D	Ø E	F	G	H	Ø O	Ø R
500	7112A	2	285	104	78	100	20	49	17	30	-	7
1000	7114A	3,6	357	130	98	125	25	56	24	35	-	8
2000	7116A	6,1	420	157	118	150	30	64	32	49	-	10
3000	7117A	11,8	485	205	160	200	35	71	39	48	-	12
5000	7119A	21	685	284	225	275	40	89	48	45	35	15

**VOSSABLOKK**

Vossablock



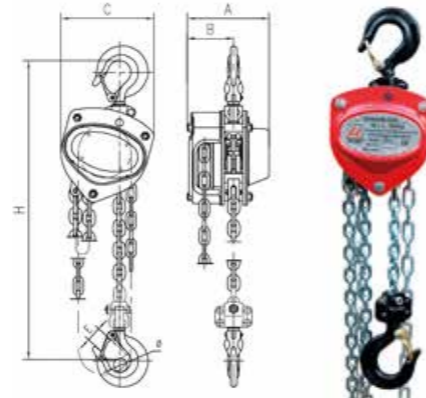
D-16 TR-17 NF-21 N-10 US N-10 K N-10 S-14 S-14 S S-15 S

ART NR	ARTIKKEL NAVN	OPPHENG TYPE	TOT LENGDE MM	TAUSKIVE DIAM BREDDE MM	MAKS WIRE DIAM MM	WLL TONN	VEKT KG
TB144	S-14K	KROK	275	120/28	12	1.0	3.2
TB103	N-10	SVIVEL	319	120/20	12	1.2	2.9
TB1031	N-10B	SVIVEL	319	120/28	12	1.2	3.0
TB104	N-10K	KROK	361	120/28	12	1.2	3.5
TB105	N-10US	BØYLE	322	120/20	12	1.2	2.9
TB113	N-11	SVIVEL	455	180/27	18	3.0	7.3
TB192	NT-19	FLATTSTÅL	550	180/27	18	16.5	24.0

KJETTINGTALJE - 14

Chain block - 14

Compact design and low weight.
Lightweight and durable all steel construction with powder coated finish.
Safe, well covered automatic load reaction brake (asbestos-free).
Sealed ball bearings on the chain wheel maximise efficiency and serviceability.
Galvanised and hardened high-tensile lifting chain.
Test and CE-certificate enclosed.



W L L KG	MODEL	LIFT METER	LOAD CHAIN (KG)	TEST LOAD (KG)	WEIGHT KG	A	B	C	D	E	FALL
250	1411	3	4x12	375	6.4	106	68	108	18	20	1
500	1412	3	5x15	750	8.9	128	75	130	20	22	1
1000	1414	3	6,3x19	1500	12	142	76	150	25	26	1
2000	1416	3	8x24	3000	19.5	175	88	185	33	35	1
3000	1417	3	10x30	4500	29.4	195	95	226	36	37	1
5000	1419	3	9x27	7500	36.6	183	90	255	43	44	2
10000	1423	3	10x30	15000	64.1	195	95	355	44	47	3

**JEKKETALJE 15**

Lever hoist 15

Compact, lightweight construction.
Lightweight and durable all steel construction with powder coated finish and plated frame components.
Safe, well covered automatic load reaction brake.
Short handle and stroke allows 360° degree operation for rigging in tight spaces.
Galvanized and hardened high-tensile lifting chain.
Test and CE-certificate enclosed



W L L KG	MODEL	STAN-DAR LIFT (M)	LOAD CHAIN (KG)	LOAD CHAIN (Ø)	TEST LOAD (KG)	WEIGHT (KG)	A	B	C	D	E	H
250	1511	1	4.0 x 12.0	4.0 x 12.0	375	2.2	100	70	86	18	20	235
500	1512	1.5	5.0 x 15.0	5.0 x 15.0	750	5.3	150	90	118	20	22	310
1000	1514	1.5	6.0 x 18.0	6.0 x 18.0	1500	8	156	95	138	25	26	340
1500	1515	1.5	7.1 x 21.0	7.1 x 21.2	2400	11.1	186	112	145	30	29	400
3000	1517	1.5	10.0 x 28.0	10.0 x 28.0	4800	20.5	208	120	198	36	37	520
6000	1520	1.5	10.0 x 28.0	10.0 x 28.0	9450	29.5	208	120	230	43	43	640

JEKKETALJE, KITO LB/LX

Kito lever hoist, Kito lb / lx

Standards: Freewheel safeguard (not LB-OF without freewheel mechanism).
Quad riveted bottom hook.
Nickel-plated load chain grade V (G100).



VARE NR	TYPE	CAPACITY	CHAIN PULL TO LIFT FULL LOAD	LOAD CHAIN DIAM.	WEIGHT	HEADROOM
PART NO		(T)	(M)	(MM)	(KG)	(MM)
751020KJ0250	LX003	0,25	20	3.2 x 9.0	1.7	-
751020KJ0500	LX005	0,5	31	4.3 x 12.0	2.7	-
751020KJ0800	LB008	0,8	28.4	5.6 x 15.7	5.7	280
-	LB010	1,0	35.3	5.6 x 15.7	5.9	300
751020KJ1600	LB016	1,6	33.3	7.1 x 19.9	8.0	335
-	LB025	2,5	36.3	8.8 x 24.6	11.2	375
751020KJ3200	LB032	3,2	36.3	10 x 28.0	15.0	395
751020KJ6300	LB063	6,3	37.2	10 x 28.0	26.0	540
	LB090	9	38.2	10 x 28.0	40.0	680

**JEKKETALJE, KITO CB**

Kito lever hoist, Kito CB

Standards Freewheel safeguard (not LB-OF without freewheel mechanism).
Quad riveted bottom hook.
Nickel-plated load chain grade V (G100).

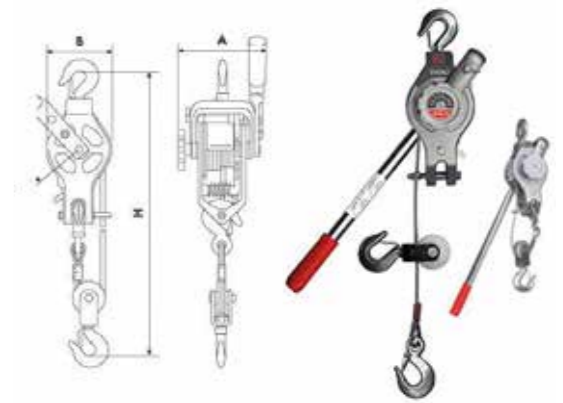


TYPE	RATED LOAD		CHAIN PULL TO LIFT FULL LOAD		LOAD CHAIN DIAM. MM	WEIGHT KG	CHAIN FALLS
	T	M	M	M			
CB005	0.5	3.0	5.0 x 15.1	11.0	1		
CB010	1	3.0	6.3 x 19.1	12.5	1		
CB015	1.5	3.0	7.1 x 21.2	15.5	1		
CB020	2	3.0	8.0 x 24.2	20.0	1		
CB025	2.5	3.0	9.0 x 27.2	27.0	1		
CB030	3	3.0	7.1 x 21.2	24.0	2		
CB050	5	3.0	9.0 x 27.2	41.0	2		
CB075	7.5	3.5	9.0 x 27.2	63.0	3		
CB100	10	3.5	9.0 x 27.2	83.0	4		
CB150	15	3.5	9.0 x 27.2	155.0	6		
CB200	20	3.5	9.0 x 27.2	235.0	8		
CB300	30	3.5	9.0 x 27.2	310.0	10		
CB400	40	3.5	9.0 x 27.2	480.0	14		
CB500	50	3.5	9.0 x 27.2	640.0	16		

**JEKKETALJE WIRE15SL12**

Ratchet puller 15SL12

Compact lightweight construction.
Swiveling hooks with safety latch.
Handle engineered to bend when loads exceeds recommended capacity.
Snap On, quick reversing handle.
Galvanized aircraft cable guide that minimize cable wear.
Test and CE-certificate enclose.



MAX CAPACITY KG	MODEL	LIFTING HEIGHT	WEIGHT KG	WIRE Ø			(H) DISTANCE BETWEEN HOOKS MIN MM	
		M		MM	A	B		L
Singlewire 500	15 SL 12	6	6.4	6	165	127	620	460
Doublewire 1000	15 SL 12	3	6.4	6	165	127	620	595

TIRFOR WIRETALJE

Tractel tirfor® tu 500 series

Low weight—quick installation.
No limitation in terms of cable length.
Manageable, light-weight, robust, powerful.
Increase load capacity with deflection sheaves.
Overload protection.



TYPE	WLL	MACHINE WEIGHT KG	WIRE ROPE WEIGHT (20 M)	SPECIAL RIFOR WIRE ROPE KG	WIRE ROPE BREAKING STRAIN	DIMENSIONS OF THE MACHINE L X I X W MM	DIMENSIONS OF THE HANDLE OPENED/CLOSED MM
	KG		MM		KG		
T-508D	800	6.6	6.1	8.3	4000	420 x 250 x 59	690 - 400
T-516D	1600	13.5	13.3	11.5	8000	530 x 315 x 127	1150 - 650
T-532D	3200	24	26.6	16.3	16000	620 x 355 x 130	1150 - 650

**JEKKETALJE POW`R-PULL****Jekketalje pow`r-pull**

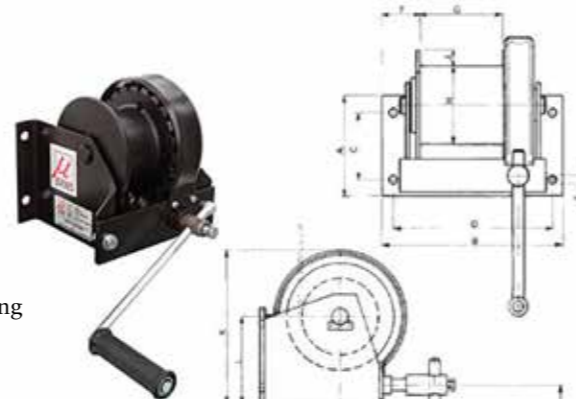
Støpt aluminiumslegering i skralle og hjul - støpt i ett stykke.
Galvanisert wire og bolter av fly-kvalitet.
Herdet stål ramme og håndtak med høy styrke.
Krok av smidd stål med låsehake etter OSHA anbefaling.
Fullt roterende stål svivel.
Permanent, komfortabelt sklissikkert grep.
Bruksområde: Strekking av liner, generelt løfting av utstyr.



MODEL	LØFTE HØYDE M	LØFTEEVNE KN	VEKT KG
144S-6	3.6	3.50	3.3
144SB-6	1.8	3.50	3.7
A-0	UBEGRENSET	4	2.9

VINSJ FOR VEGGMONTERING 61/62**Wallmounted winch 61/62**

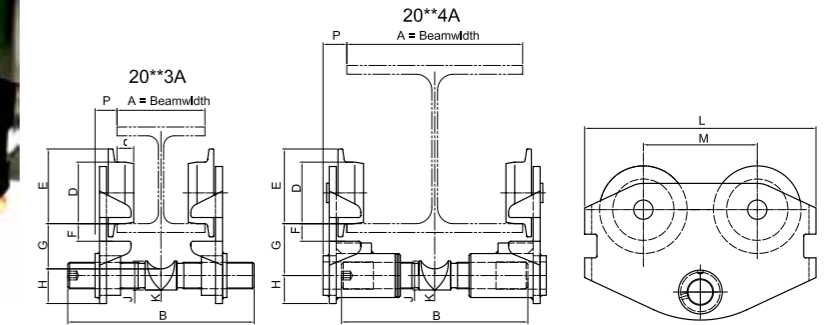
Easy and safe travel.
Safe automatic load pressure brake (asbestos-free).
Cast iron worm wheel. Hardened worm screw.
Protection guard around the worm wheel.
Suspension of lacquered steel plate.
Every wall mounted winch is marked with its own manufacturing number and is load tested.
Approved by SIS for Showbiz use.



WLL KG	MODEL	HAND ROT. PER M LIFT	WEIGHT KG	A	B	C	D	E Ø	F
250	6211A	32	12	157	210	100	183	14	46
600	6113A	34	27	180	320	120	280	17	63
1000	6114A	38	36	180	350	120	320	17	63

G	Ø H	J	K	L	M	N	O	P	R MAX	F
71	100	28	225	132	4	116	350	105	225	-
150	140	28	285	164	8	150	463	145	360	-
170	140	52	332	189	10	177	540	145	360	-

MODEL	4 Ø MM	5 Ø MM	6 Ø MM	8 Ø MM	10 Ø MM	12 Ø MM	14 Ø MM
6211A	45	27	20	-	-	-	-
6113A	-	83	60	33	21	-	-
6114A	-	-	155	87	55	38	-

**BLOKK VOGN – 24****Trolley – 24**

WLL KG	MODEL	A MIN MAX	B	C	Ø D	E	F	G	H	Ø J	Ø K	L	M	P	MIN CURVE RADIUS M	WEIGHT KG
500	20123A	46-160	208	18	62	77	18	45	33	25	19	216	100	24	1.0	6.0
500	20124A	161- 280	208	18	62	77	18	45	33	25	19	216	100	24	1.0	6.4
1000	20143A	50-160	212	20	70	85	20	51	40	32	24	264	130	26	1.25	9.4
1000	20144A	161- 280	212	20	70	85	20	51	40	32	24	264	130	26	1.25	10.7
2000	20163A	64-180	248	24	100	118	25	63	51	40	32	345	165	30	1.80	19.0
2000	20164A	181- 300	248	24	100	118	25	63	51	40	32	345	165	30	1.80	21.0
3000	20173A	74-180	262	28	114	137	31	78	57	46	35	384	180	35	2.20	31.5
3000	20174A	181- 300	262	28	114	137	31	78	57	46	35	384	180	35	2.20	34.0
5000	20193A	82-180	270	34	140	165	34	92	64	56	42	455	215	40	2.50	55.0
5000	20194A	181- 300	270	34	140	165	34	92	64	56	42	455	215	40	2.50	58.0



KJETTING OG KJETTINGLÅS

LANGLENKET S. 82

MIDLINK S. 84

KORTLENKET S. 85

ÅPEN S. 89

FORTØYNINGSKJETTING S. 89

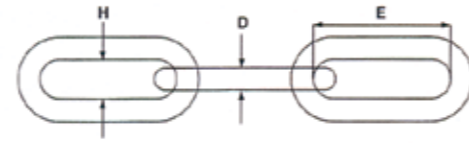
KJETTINGLÅS S. 90

BERGLOKK / OMEGASJAKKEL S. 94

**ALLOYKJETTING, LANGLENKET GALVANISERT LLZ**

Alloy Chain, Long Link Galvanized LLZ

Grade 8

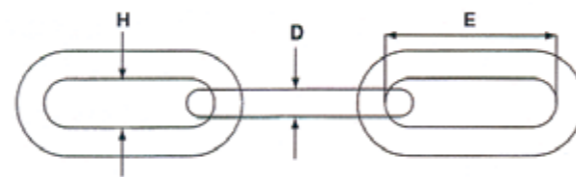


VARE NR PART NO	MBL BREAKING LOAD TON	DIM/SIZE D MM	LENGTH E MM	WIDTH H MM	KG PR METER KG
7510AGLL13	17.3	13	81	22	2.7
7510AGLL16	26.2	16	100	26	4.4
7510AGLL19	37.0	19	100	28	6.5
7510AGLL22	49.6	22	120	32	8.5

ALLOYKJETTING, LANGLENKET FISKERI

Alloy Chain, Long Link Fishing

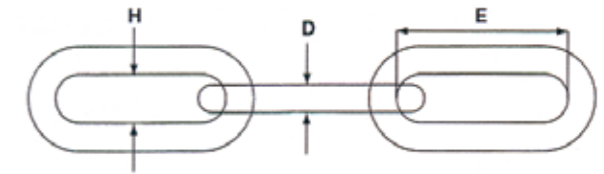
Grade 80



VARE NR PART NO	MBL BREAKING LOAD TON	DIM/SIZE D MM	LENGTH E MM	WIDTH H MM	KG PR METER KG
7510NLL13	21.8	13	80	22	2.93
7510NLL16	32.6	16	100	27	4.34
7510NLL19	45.8	19	100	27	6.31
7510NLL22	62.2	22	120	37	8.74

**ALLOYKJETTING, LANGLENKET GALVANISERT**

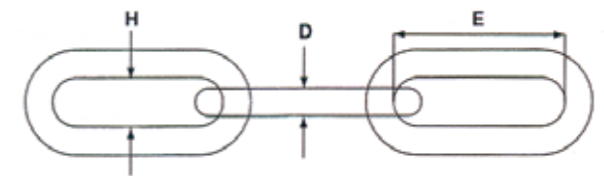
Alloy Chain, Long Link Galvanized



VARE NR PART NO	MBL BREAKING LOAD TON	DIM/SIZE D MM	LENGTH E MM	WIDTH H MM	KG PR METER KG
7510ALL09	10.2	9	53	15	1.4
7510ALL11	15.4	11	64	18	2.1
7510ALL13	21.6	13	80	22	2.9
7510ALL16	32.8	16	88	27	4.6
7510ALL19	46.2	19	100	28	6.5
7510ALL22	61.9	22	120	32	8.5
7510ALL25	80.0	25	140	41	11.0
7510ALL28	100.4	28	150	39	14.0

KJETTING, LANGLENKET GALVANISERT

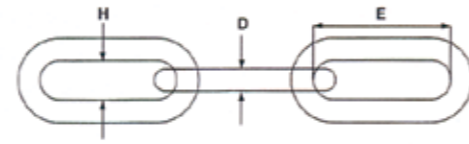
Chain, Long Link Galvanized



VARE NR PART NO	MBL BREAKING LOAD TON	DIM/SIZE D MM	LENGTH E MM	WIDTH H MM	KG PR METER KG
7510GLL08	4.0	8	52	31	1.1
7510GLL10	6.9	10	65	38	1.8
7510GLL11	8.1	11	72	41	2.2
7510GLL13	11.6	13	80	50	2.9
7510GLL16	16.9	16	100	62	4.3

**ALLOYKJETTING, MIDLINK TRAWLEX**

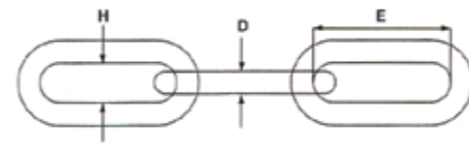
Alloy Chain, Mid Link Trawlex

Crosby
Grade 80

VARE NR PART NO	MBL BREAKING LOAD TON	DIM/SIZE D MM	LENGTH E MM	WIDTH H MM	KG PR METER KG
7510PML19	57	19	76	27	6.92

ALLOYKJETTING, GALVANISERT

Alloy Chain, Mid Link Galvanized

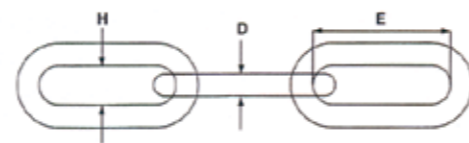


VARE NR PART NO	MBL BREAKING LOAD TON	DIM/SIZE D MM	LENGTH E MM	WIDTH H MM	KG PR METER KG
7510AGML13	17.3	13	50	18	3.0
7510AGML16	26.2	16	65	29	5.1
7510AGML19	37.0	19	75	32	6.8

ALLOYKJETTING, MIDLINK FISKERI

Alloy Chain, Mid Link fishing

Grade 80

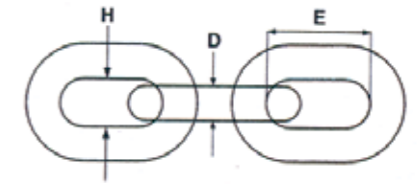


VARE NR PART NO	MBL BREAKING LOAD TON	DIM/SIZE D MM	LENGTH E MM	WIDTH H MM	KG PR METER KG
7510NML13	21.8	13	52	19.5	3.31
7510NML16	32.6	16	64	24.0	4.97
7510NML19	45.8	19	76	28.5	6.92
7510NML22	62.2	22	86	27.0	9.50
7510NML26	86.6	26	92	31.0	13.7

**ALLOYKJETTING, KORTLENKET FISKERI**

Alloy Chain, Short Link fishing

Grade 80



VARE NR PART NO	MBL BREAKING LOAD TON	DIM/SIZE D MM	LENGTH E MM	WIDTH H MM	KG PR METER KG
7510NKL08	6.1	8	21	10.0	1.40
7510NKL10	12.7	10	30	14.0	2.20
7510NKL13	21.8	13	39	18.1	3.80
7510NKL16	32.6	16	48	22.4	5.63
7510NKL19	45.8	19	57	27.8	7.81

KJETTING, KORTLENKET LØFT

Chain, Short Link Lifting

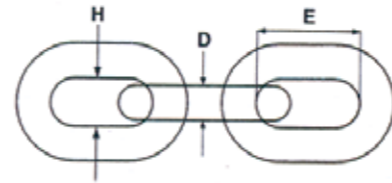
Grade 80



VARE NR PART NO	MBL BREAKING LOAD TON	DIM/SIZE D MM	LENGTH E MM	WITH H MM	KG PR METER KG
7510LKL06	4.6	6	18	20.7	0.80
7510LKL08	8.6	8	24	27.5	1.40
7510LKL10	14.7	10	30	34.5	2.20
7510LKL13	23.5	13	39	45.0	3.80
7510LKL16	35.0	16	48	55.5	5.80
7510LKL19	48.8	19	57	64.0	7.80

**ALLOYKJETTING, KORTLENKET FISKERI**

Alloy Chain, Short Link fishing



VARE NR PART NO	MBL BREAKING LOAD	DIM/SIZE D MM	LENGTH E MM	WIDTH H MM	KG PR METER KG
7510AKL10	12.6	10	30	14	2.17
7510AKL13	21.4	13	39	18	3.83
7510AKL16	32.2	16	48	22	5.78
7510AKL19	45.4	19	57	26	8.60
7510AKL22	61.0	22	66	30	11.0

KJETTING, KORT LENKET EL-GALVANISERT

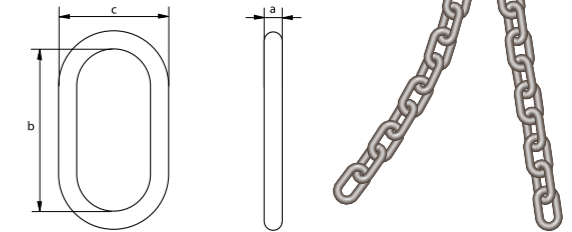
Chain Short Link El-Galvanized



VARE NR PART NO	MBL BREAKING LOAD	DIM/SIZE D MM	LENGTH E MM	WIDTH H MM	KG PR METER KG
7510GKL05	1.3	5	22	19	0.52
7510GKL065	2.5	6.5	24	23	0.88
7510GKL08	4.5	8	24	28	1.39
7510GKL10	6.9	10	32	34	2.17
7510GKL11	8.1	11	35	38	2.63
7510GKL13	11.6	13	39	44	3.80
7510GKL16	17.3	16	48	55	5.60

**KJETTING, KORTLENKET ETTER DIN 766**Short link chain
Generally to DIN 766

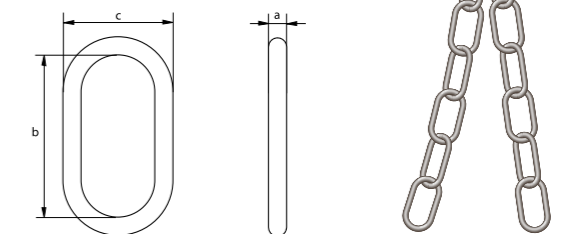
- Material: AISI 316
- Standard: generally to DIN 766



DIAMETER A MM	LENGTH INSIDE B MM	WIDTH OUTSIDE C MM	WEIGHT PER M KG
3	16	11	0.17
4	16	14	0.32
5	18.5	17	0.5
6	18.5	20	0.75
8	24	26	1.35
10	28	34	2.25

KJETTING, KORTLENKET ETTER DIN 763Short link chain
Generally to DIN 763

- Material: AISI 316
- Standard: generally to DIN 763

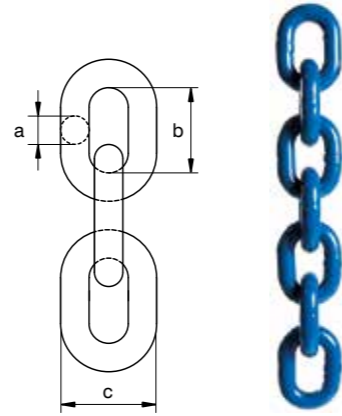


DIAMETER A MM	LENGTH INSIDE B MM	WIDTH OUTSIDE C MM	WEIGHT PER M KG
3	26	12	0.14
4	32	16	0.27
5	36	20	0.43
6	42	24	0.63
7	48	28	0.86
8	54	32	1.1
10	66	40	1.75

**LØFTEKJETTING, GRADE 10**

Lifting chain, grade 10

- Material: alloy steel, grade 10, quenched and tempered
- Safety factor: MBL equals 4 x WLL
- Finish: painted blue
- Certification: at no extra charge this product can be supplied with a works certificate, manufacturer test certificate and/or EC Declaration of Conformity

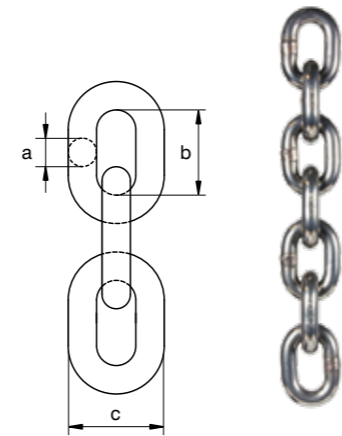


TYPE	WLL	DIAMETER		LENGTH INSIDE	WIDTH OUTSIDE	LINKS PER METER	LENGTH PER DRUM	WEIGHT PER MTR
		A						
		T						
		INCH	MM	B	C		M	KG
UCHAIN6	1.4	7/32	6	18	22	55.56	100	0.8
UCHAIN8	2.5	5/16	8	24	30	41.67	100	1.5
UCHAIN10	4	3/8	10	30	36	33.33	100	2.3
UCHAIN13	6.7	1/2	13	39	48	25.64	100	3.9
UCHAIN16	10	5/8	16	48	58	20.83	50	5.8

LØFTEKJETTING RUSTFRI EXCEL

Excel® stainless steel lifting chain

- Material: AISI 316
- Safety factor: MBL equals 4 x WLL
- Finish: polished
- Certification: at no extra charge this product can be supplied with a works certificate, manufacturer test certificate and/or EC Declaration of Conformity

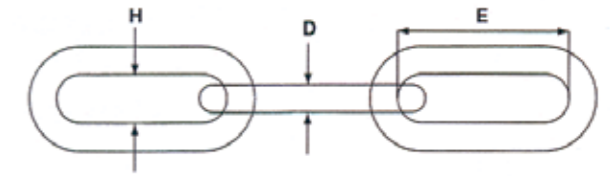


TYPE	WLL	DIAMETER		LENGTH INSIDE	WIDTH OUTSIDE	LINKS PER METER	LENGTH PER DRUM	WEIGHT PER MTR
		A						
		T						
		INCH	MM	B	C		M	KG
CHAIN6I	0.7	7/32	6	18	21	55.56	100	0.78
CHAIN8I	1.2	5/16	8	24	29	41.67	100	1.3
CHAIN10I	1.6	3/8	10	30	34	33.33	100	2.14
CHAIN13I	2.7	1/2	13	39	45	25.64	100	3.64

ANKERKJETTING, ÅPEN

Open Link, Anchor Chain

Grade 2

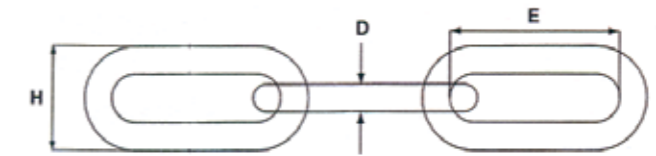


VARE NR PART NO	LENGDE LENGTH Å	MBL BREAKING LOAD	DIM/SIZE D MM	LENGTH E MM	WIDTH H MM	KG PR METER KG
753430NYA	27.5M	47.5	30	120	45	18.9
753430NYA50	50M	47.5	30	120	45	18.9
753436NYA	27.5M	68.5	36	144	54	27.0
753436NYA50	50M	68.5	36	144	54	27.0
753440NYA	27.5M	84.5	40	160	60	34.6
753440NYA50	50M	84.5	40	160	60	34.6

ALLOY, G70 KJETTING LANGLENKET

Alloy, G70 Chain Long Link

Grade 70

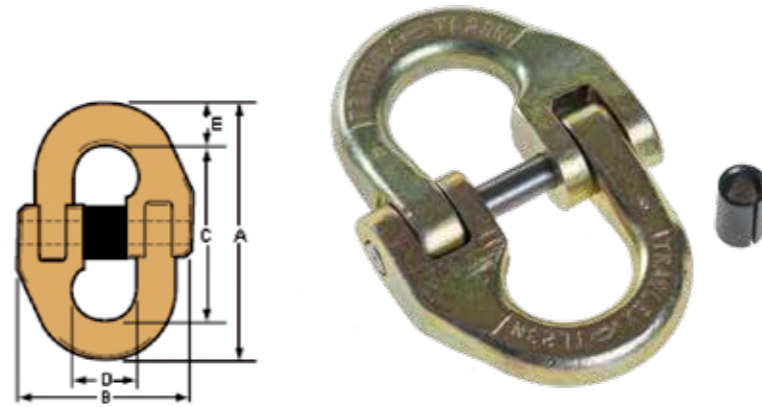


VARE NR PART NO	MBL BREAKING LOAD	DIM/SIZE D MM	LENGTH E MM	WIDTH H MM	KG PR METER KG
7510AAGL13	16	13	82	50	3.0
7510AAGL16	24	16	100	62	4.5
7510AAGL19	34	19	125	75	6.6
7510AAGL22	44	22	127	82	8.5
7510AAGL25	60	25	142	88	11.0
7510AAGL30	90	30	159	102	16.0



**KJETTINGLÅS, TRAWLEX**

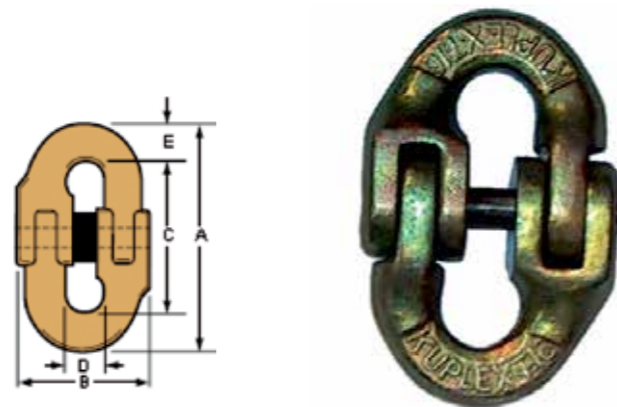
Chain connector, Trawlex



VARE NR PART NO	TYPE	FOR KJETTING CHAIN DIAM SIZE MM	A	B	C	D	E	VEKT WEIGHT KG
			MM	MM	MM	MM	MM	
7511TL10	TRAWLEX	10	89	66	64	19.2	13	0.36
7511TL13	TRAWLEX	13	118	85	85	26.5	17	0.66
7511TL16	TRAWLEX	16	144	96	106	32	19	1.08
7511TL19	TRAWLEX	19	168	115	122	38.5	23	1.77
7511TL23	TRAWLEX	23	206	140	150	49	28	2.8
7511TL26	TRAWLEX	26	230	163	166	57	32	4.4
7511TL32	TRAWLEX	32	278	210	200	63	39	8.4

KJETTINGLÅS, KUPLEX

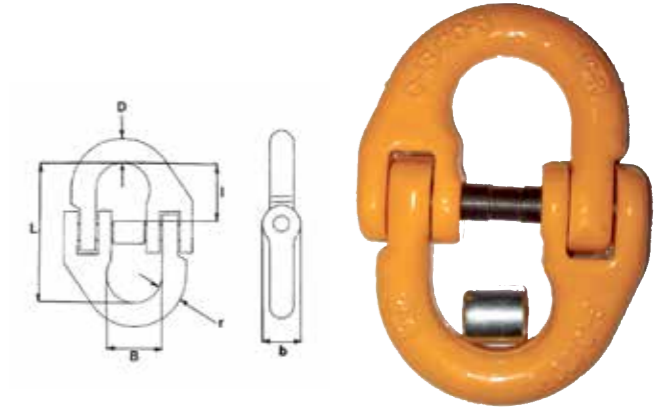
Chain connector, Kuplex



VARE NR PART NO	TYPE	FOR KJETTING CHAIN DIAM SIZE MM	A	B	C	D	E	VEKT WEIGHT KG
			MM	MM	MM	MM	MM	
7511KJ13	KUPLEX	13	94	61	65	14.7	14	0.44
7511KJ16	KUPLEX	16	120	75	84	19.1	18	0.83
7511KJ19	KUPLEX	19	142	90	100	22.9	21	1.42

**KJETTINGLÅS, FISKERI/LØFT**

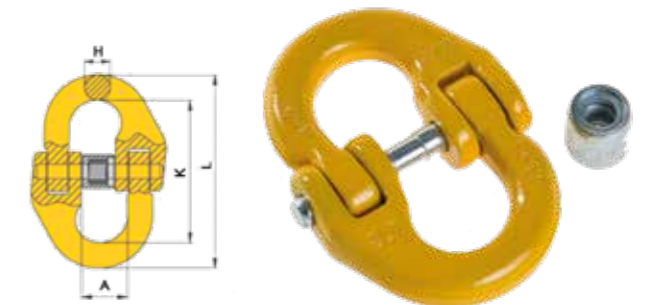
Chain connector lift



VARE NR PART NO	TYPE	FOR KJETTING FOR CHAIN SIZE MM	WLL 4 : 1 TON	L	B	D	I	VEKT WEIGHT KG
				MM	MM	MM	MM	
7511F10	GF-10-8	10	3.15	68	25	11	26	0.3
7511F13	GF-13-8	13	5.35	89	30	15	33	0.7
7511F16	GF-16-8	16	8.05	105	36	19	40	1.1
7511F19	GF-18/20-8	19	12.5	125	43	22	47	1.8
7511F22	GF-22-8	22	15.2	152	50	24	59	3.0
7511F26	GF-26-8	26	21.2	160	58	29	61	4.6
7511F32	GF-32-8	32	32.2	200	70	38	78	8.6

KJETTINGLÅS FISKERI/LØFT, SELSTAD

Chain connector lift, Selstad

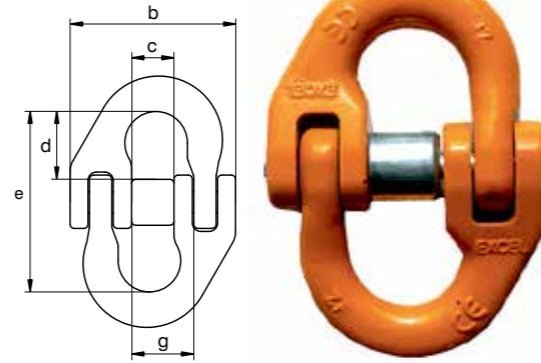


VARE NR PART NO	WLL 4 : 1 TON	A	L	K	H	VEKT WEIGHT KG
		MM	MM	MM	MM	
7511SEK08	2	18	79.5	60.5	8.5	0.14
7511SEK10	3.15	25	90.5	68	10.8	0.30
7511SEK13	5.3	29	117	87	15	0.65
7511SEK16	8	34.5	148	108.4	19.8	1.15
7511SEK20	12.5	41	169.5	121.5	24	2.10
7511SEK22	15.0	48	193.5	141.5	26	8.87
7511SEK26	21.2	57.5	220	158	30	4.50
7511SEK32	31.5	67	281	205	37	8.21

**KJETTINGLÅS, EXCEL GRADE 8**

Excel® connecting link, grade 8

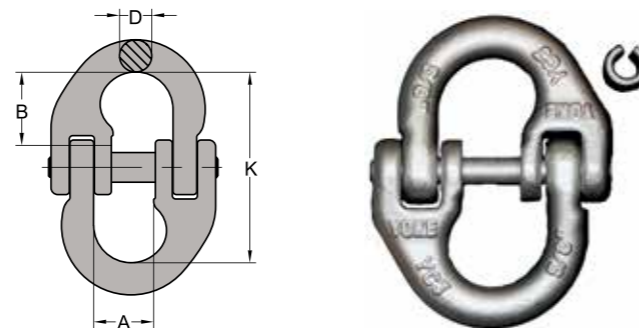
- Material: alloy steel, grade 8, quenched and tempered
- Safety factor: MBL equals 4 x WLL
- Standard: EN 1677-1
- Finish: painted yellow (J) or red (R)
- Certification: at no extra charge this product can be supplied with a works certificate and/or EC Declaration of Conformity



TYPE	WLL T	INCH	MM	A MM	B MM	C MM	D MM	E MM	F MM	G MM	WEIGHT KG
MJ6J OR R	1.12	7/32	6	8	42	10	17	45	11	15	0.08
MJ7/8J OR R	2	1/4-5/16	7/8	9	54	14	20	55	13	19	0.15
MJ10J OR R	3.2	3/8	10	10	66	18	24	64	18	25	0.28
MJ13J OR R	5.4	1/2	13	14	83	21	32	85	24	29	0.64
MJ16J OR R	8.2	5/8	16	17	103	26	40	105	28	36	1.16
MJ18/20J OR R	12.8	3/4	18/20	21	120	33	50	129	33	43	2.01
MJ22J OR R	15.5	7/8	22	23	143	40	55	140	37	53	2.92
MJ26J OR R	21.6	1	26	26	160	45	60	153	43	59	4.18
MJ32J OR R	31.8	1 1/4	32	39	197	52	65	174	49	68	8.2

YOKE, KOBLINGSLEDD

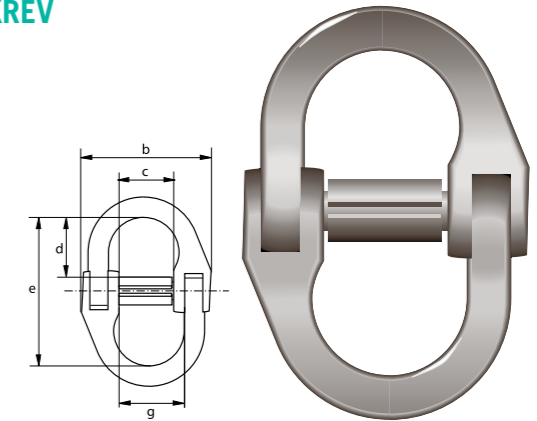
Yoke, connection link



VARE NR PART NO	WLL 4 : 1 TONN	FOR KJETTING FOR CHAIN DIM MM	K MM	A MM	D MM	B MM	VEKT WEIGHT KG
7511YL08	2.00	7-8	59	18	9	22	0.2
7511YL10	3.15	10	68	25	13	26	0.3
7511YL13	5.30	13	91	30	16	35	0.7
7511YL16	8.00	16	100	36	19	38	1.1
7511YL20	12.50	18-20	122	42	22	46	1.7

**KJETTINGLÅS GP, KOBLING MOT GRADE 8 KJETTING SKREV**Green pin® connecting links
For connecting grade 8 chain-slings

- Material: alloy steel, grade 8
- Safety factor: MBL equals 4 x WLL
- Standard: generally to EN 1677-1
- Finish: painted yellow (J) or red (R)
- Certification: test certificates can be supplied upon request
EC Declaration of Conformity



WLL T	CHAIN MM	A MM	B MM	C MM	D MM	E MM	F MM	G MM	WEIGHT KG
1.12	6	8	42	11	20	52	11	15	0.14
2	7-8	9	53	14	21	55	13	19	0.15
3.2	10	10	66	18	24	64	18	25	0.32
5.4	13	14	83	21	31	85	24	30	0.7
8.2	16	17	103	25	40	105	28	36	1.29
12.8	18-20	21	120	33	50	129	33	43	2.08
15.5	22	23	143	39	54	140	37	53	3.33
21.6	26	26	160	44	57	153	43	59	4.92
32.8	32	39	197	51	64	174	55	68	8.2

RESERVEDELER, BOLT OG FJØR

Spareparts for connectors, Bush and pin

Trawlex/Kuplex



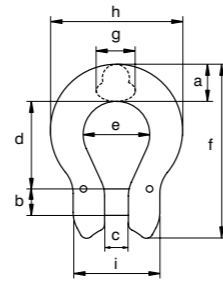
VARE NR PART NO	DIM MM
7511TLF10	10
7511TLF13	13
7511TLF16	16
7511TLF19	19
7511TLF22	22
7511TLF26	26
7511TLF32	32

VARE NR PART NO	DIM MM
7511TLB10	10
7511TLB13	13
7511TLB16	16
7511TLB19	19
7511TLB22	22
7511TLB26	26
7511TLB32	32

**OMEGA GRADE 10**

Excel® omega link, grade 10

- Material: AISI 316L
- Safety factor: MBL equals 4 x WLL
- Finish: polished
- Certification: at no extra charge this product can be supplied with a works certificate a 3.1 certificate and/or EC Declaration of Conformity

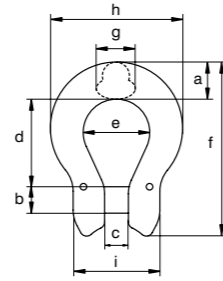


TYPE	WLL T	CHAIN INCH	KJETTING MM	A MM	B MM	C MM	D MM	E MM	F MM	G MM	H MM	I MM	KG
UCO6	1.4	7/32	6	11	8	7	24	19	50	9	39	28	0.07
UCO8	2.5	5/16	8	18	10	9	32	23	70	16	53	32	0.18
UCO10	4	3/8	10	18	13	11	40	30	81	17	61	42	0.28
UCO13	6.7	1/2	13	23	16	14	50	39	104	20	80	54	0.64
UCO16	10	5/8	16	30	20	17	63	47	130	25	100	68	1.21

OMEGA RUSTFRI

Excel® stainless steel omega link

- Material: AISI 316L
- Safety factor: MBL equals 4 x WLL
- Finish: polished
- Certification: at no extra charge this product can be supplied with a works certificate a 3.1 certificate and/or EC Declaration of Conformity

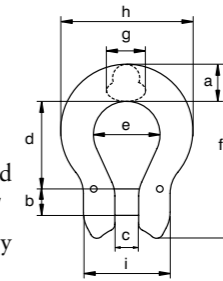


TYPE	WLL T	CHAIN INCH	KJETTING MM	A MM	B MM	C MM	D MM	E MM	F MM	G MM	H MM	I MM	KG
CO5I	0.5	3/16	5	11	6	7	24	19	50	9	39	28	0.07
CO6I	0.7	7/32	6	11	8	7	24	19	50	9	39	28	0.07
CO7/8I	1.2	1/4-5/16	7-8	18	9	9	32	23	70	16	53	32	0.18
CO10I	1.6	3/8	10	18	13	11	40	30	81	17	61	42	0.28
CO13I	2.7	1/2	13	23	16	14	50	39	104	20	80	54	0.64

**OMEGA GRADE 8**

Excel® omega link, grade 8

- Material: alloy steel, grade 8, quenched and tempered
- Safety factor: MBL equals 4 x WLL
- Standard: EN 1677-1
- Finish: painted yellow (J) or red (R)
- Certification: at no extra charge this product can be supplied with a works certificate, a 3.1 certificate and/or EC Declaration of Conformity



VARE NR PART NO	TYPE	WLL T	CHAIN INCH	KJETTING MM	A MM	B MM	C MM	D MM	E MM	F MM	G MM	H MM	I MM	KG
-	CO5J or R	0.8	3/16	5	11	6	7	24	19	50	9	39	28	0.07
-	CO6J or R	1.12	7/32	6	11	8	7	24	19	50	9	39	28	0.07
7518OLC008J	CO7/8J or R	2	1/4-5/16	7-8	18	9	9	32	23	70	16	53	32	0.18
7518OLC010J	CO10J or R	3.2	3/8	10	18	13	11	40	30	81	17	61	42	0.28
7518OLC013J	CO13J or R	5.4	1/2	13	23	16	14	50	39	104	20	80	54	0.64
7518OLC016J	CO16J or R	8.2	5/8	16	30	20	17	63	47	130	25	100	68	1.21
-	CO18/20J or R	12.8	3/4	18-20	35	24	22	80	58	160	30	120	82	2.09



WIRE, SOCKET OG TALURIT

WIRE S. 99

OLIVERIA WIRE S. 118

SPLEISING AV WIRE S. 123

SPOLING AV WIRE S. 123

TALURIT S. 124

WIREKLEMMER S. 125

WIRELÅS S. 125

SOCKET S. 128

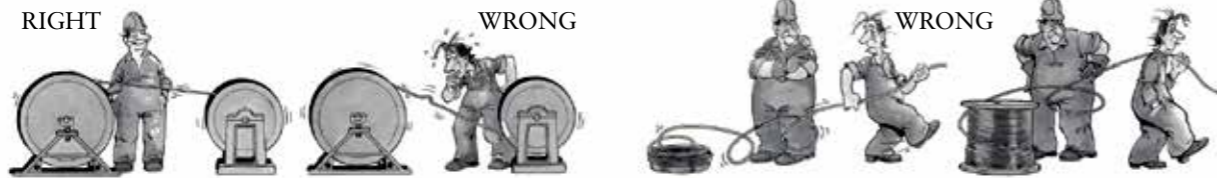


WIRE

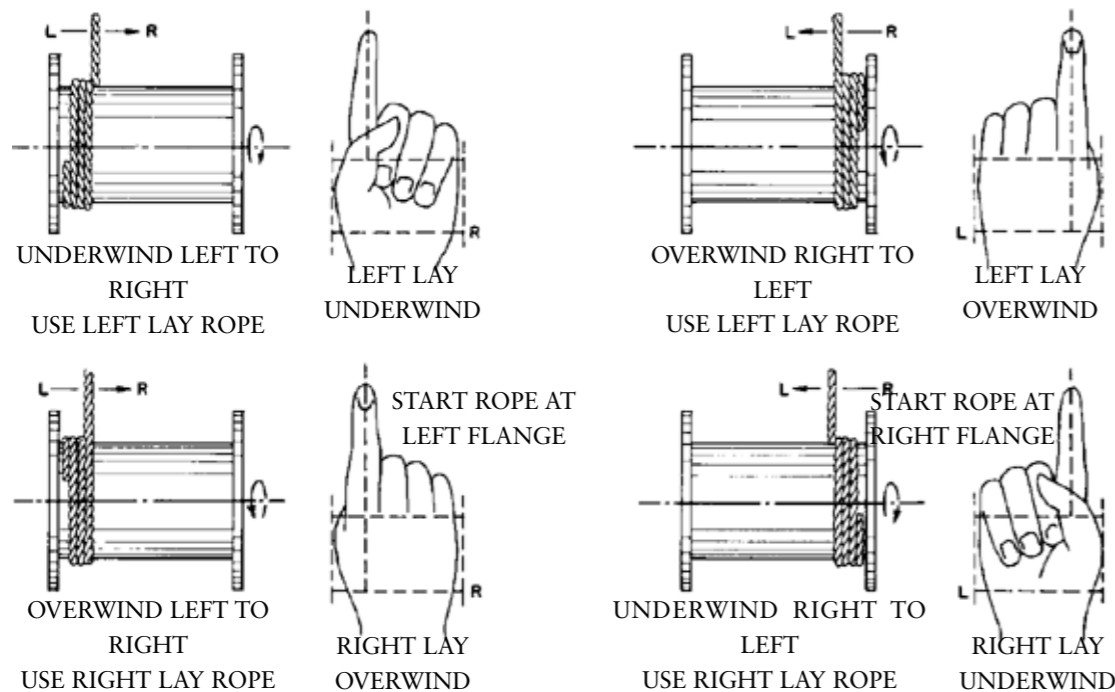
Selstad tilbyr et bredt spekter av ståltau til ulike formål, bransjer og bruksområder, og har mange forskjellige varianter på lager. Vi har ståltau til alle typer kraner; mobilkraner, offshorekraner (Sea/ Subsea), vinsjer, heiser, fortøyning, stropper, stag, skiheis, barduner fiskeri og skogbruk. Med vår lange erfaring innenfor løft er vi behjelpelige med å finne den rette ståltaukonstruksjonen for våre kunder.

Selstad offers a wide range of steel ropes for different purposes, industries and applications, and has many different varieties in stock. We have rope for all types of cranes; mobile cranes, offshore cranes (Sea / Subsea), winches, lifts, mooring, straps, rods, ski lift, backstays fisheries and forestry. With our long experience in lift we can help find the right rope constructions for our customers.

KORREKT AVSPOLING AV STÅLTAU FRA KVEIL OG TROMLE / CORRECT WAYS TO REMOVE STEEL WIRE ROPE FROM A COIL OR REEL.



RIKTIG METODE FOR Å FINNE TAU FORANKRINGS-PUNKT PÅ EN VANLIG TROMMEL / PROPER METHOD OF LOCATING ROPE ANCHORAGE POINT ON A PLAIN DRUM

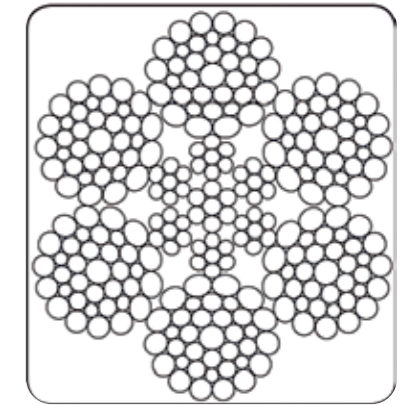


6 X 36WS + IWRC

6 x 36WS + IWRC

Standard: EN 12385-4
Type of lay: sZ, zS
Surface: ungalvanized, galvanized

Specific Properties:
Flexibility.
Reverse bending behaviour.
Good reeling properties on rope pulleys.



Application:
Shipping: tow ropes, lifting ropes, ramp wire, lifeboat falls, grab ropes, guy ropes, boom hoist ropes, mooring ropes.
Harbour – shoreside: lifting ropes, trolley ropes, boom hoist ropes, grab ropes, sling ropes.
Industry – shoreside: lifting ropes, guy ropes, traction ropes support cable, sling ropes.
Petroleum industry: anchor ropes, winch ropes, lifting ropes.

Ø MM	WEIGHT KG/M	1770 N/MM ² MBL KN	1960 N/MM ² MBL KN
10	0.42	67	74
14	0.83	132	146
15	0.95	150	167
16	1.12	178	197
20	1.75	277	307
24	2.39	378	419
25	2.68	425	471
28	3.32	527	583
30	4.36	691	765
32	4.09	635	726
34	5.02	794	879
36	5.60	886	982
38	6.12	969	1.073
40	6.64	1.052	1.165
42	7.47	1.182	1.309
46	8.83	1.398	1.548
48	9.61	1.522	1.685
50	10.53	1.668	1.847
57	13.90	2.201	2.437
60	14.84	2.350	2.602

**6 X 41AK + IWRC**

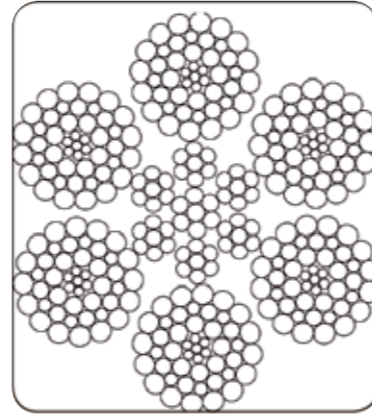
6 x 41AK + IWRC

Standard: EN 12385-4
 Type of lay: sZ zS
 Surface: ungalvanized, galvanized

Specific Properties:
 Flexibility,
 Reverse bending behaviour,
 Good reeling properties on rope pulleys.

Application:

Shipping: tow ropes, mooring ropes.
 Petroleum industry: anchor ropes.



Ø MM	WEIGHT KG/M	1770 N/mm ² MBL KN	1960 N/mm ² MBL KN
34	4.65	736	815
36	5.23	829	918
42	7.11	1126	1247
44	7.88	1249	1383
46	8.52	1349	1494
48	9.31	1475	1634
51	10.43	1652	1829
52	10.8	1710	1894
54	11.66	1847	2045
55	12.19	1931	2138
56	12.47	1975	2187
58	13.59	2152	2383
60	14.68	2325	2575
62	15.84	2509	2778
64	16.52	2616	2896
66	17.67	2798	3098
68	18.66	2955	3272
70	19.80	3.136	3.472
71	20.26	3.208	3.553
72	21.01	3.327	3.684
74	22.45	3.555	3.937
76	23.24	3.680	4.075
77	24.02	3.805	4.213
83	28.36	4.492	4.974
84	29.1	4.609	5.103

**3 X 19S + FC**

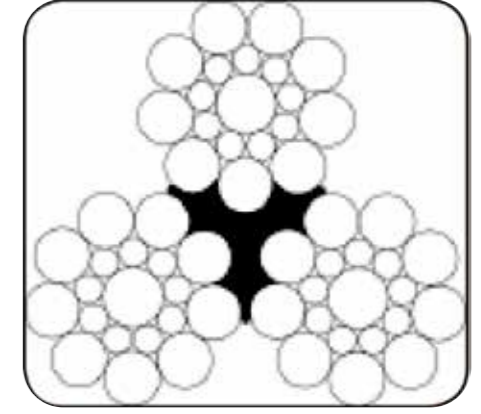
3 x 19S + FC

Standard: works standard
 Type of lay: sZ
 Surface: galvanized

Specific Properties:
 Rotation behaviour.
 Corrosion resistance.
 Minimal relubrication required.
 Good elongation behaviour.

Application:

Shipping: deep sea ropes.



Ø MM	WEIGHT KG/M	1770 N/mm ² MBL KN	1960 N/mm ² MBL KN
4	0.06	10	11
5	0.09	15	17
6	0.14	22	25
7	0.18	29	32
8	0.23	37	41
9	0.29	47	53
10	0.34	57	63
11	0.45	73	81
12	0.50	84	93
13	0.60	99	110
14	0.68	113	125
16	0.92	152	168
18	1.16	191	212
19	1.36	224	248
20	1.43	236	262
22	1.77	292	324
24	2.05	339	375

**3 X 36WS + FC**

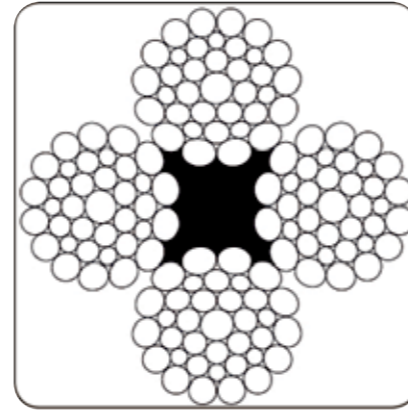
3 x 36WS + FC

Standard: works standard
 Type of lay: sZ, zS
 Surface: galvanized

Specific Properties:
 Rotation behaviour
 Good reeling properties on rope pulleys
 Corrosion resistance
 Minimal relubrication required

Application:
 Shipping lifting ropes
 Industry – shoreside: guy ropes; driving ropes

Ø MM	WEIGHT KG/M	1870 N/mm ² MBL KN
9	0.34	59
14	0.76	133
16	1.01	177
18	1.25	217
20	1.55	269
21	1.73	301
22	1.89	329
24	2.25	394
26	2.56	448
28	3.05	532
30	3.49	610
32	3.97	693
34	4.36	762
36	5.03	879
38	5.57	974
40	6.29	1099
42	7.04	1230

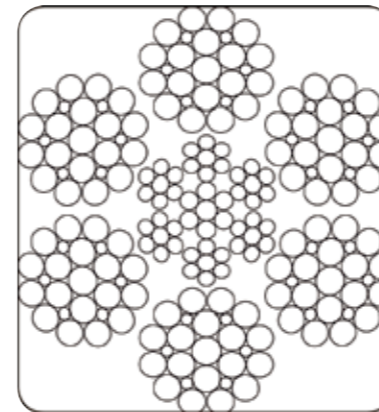
**6 X 25FI + IWRC**

6 x 25FI + IWRC

Standard: EN 12385-4
 Type of lay: sZ, zS
 Surface: galvanized

Specific Properties:
 Reverse bending behaviour
 Good reeling properties on rope pulleys

Application:
 Shipping: grab ropes
 Industry – shoreside: traction ropes, support cable
 Petroleum industry: drilling ropes, winch ropes



Ø MM	WEIGHT KG/M	1570	1770	1960
		N/mm ² MBL KN	N/mm ² MBL KN	N/mm ² MBL KN
8	0.25	37	41	46
9	0.32	46	52	58
10	0.39	57	64	71
11	0.48	69	78	86
12	0.58	84	94	105
13	0.67	97	109	120
14	0.78	112	126	140
15	0.90	130	147	162
16	1.03	149	168	186
17	1.13	163	183	203
18	1.28	184	208	230
19	1.47	211	238	264
20	1.60	230	259	287
22	1.92	276	312	345
24	2.32	333	376	416
25	2.48	357	403	446
26	2.71	390	439	487
28	3.13	451	509	563
29	3.32	479	540	598
30	3.58	515	581	643
32	4.08	587	662	733
34	4.65	670	755	837
35	4.92	708	798	883
36	5.21	750	845	936
37	5.45	784	884	978
38	5.78	830	935	1036
39	6.14	884	996	1103
40	6.37	917	1034	1145
41	6.61	952	1073	1188
42	6.99	1006	1134	1256
43	7.36	1059	1195	1323
44	7.755	1116	1258	1393
45	8.18	1177	1327	1469
46	8.48	1220	1376	1524
48	9.32	1341	1512	1674
50	10.02	1441	1625	1800
51	10.60	1528	1723	1908
52	10.80	1554	1752	1941
54	11.67	1680	1894	2098
56	12.46	1793	2021	2238
58	13.39	1928	2173	2407
60	14.29	2056	2318	2567
62	15.25	2195	2474	2740
64	16.50	2375	2678	2965



**6 X 36V + IWRC(K)**

6 x 36V + IWRC(K)

Standard: works standard, compacted strands

Type of lay: sZ, zS

Surface: ungalvanized, galvanized

Specific Properties: Flexibility, Reverse bending behaviour,
Good reeling properties on rope pulleys
Optimum coiling properties (single-layer, multi-layer)

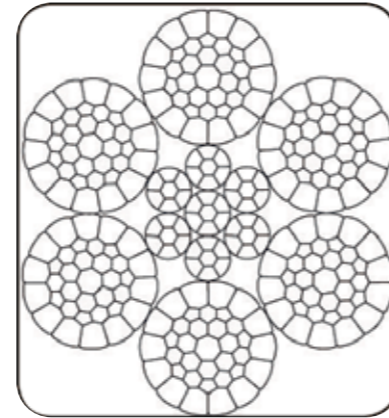
Application:

Shipping: tow ropes, lifting ropes, ramp wire, lifeboat falls, grab ropes, guy ropes, boom hoist ropes, mooring ropes

Harbour – shoreside: lifting ropes, trolley ropes, boom hoist ropes, grab ropes, sling ropes

Industry – shoreside: lifting ropes, guy ropes, traction ropes support cable, sling ropes

Petroleum industry: anchor ropes, winch ropes, lifting ropes



Ø MM	WEIGHT KG/M	1960 N/mm ² MBL KN	2160 N/mm ² MBL KN
10	0.46	82	90
11	0.55	97	107
12	0.67	118	130
13	0.77	136	150
14	0.89	158	174
15	1.02	181	199
16	1.18	208	229
18	1.48	263	289
19	1.66	294	324
20	1.83	324	356
22	2.19	389	428
24	2.65	469	516
25	2.87	508	560
26	3.11	550	606
28	3.59	638	702
29	3.75	664	732
30	4.10	727	801
32	4.68	829	913
33	5.01	888	978
34	5.29	937	1032
35	5.61	994	1095
36	5.95	1054	1169
38	6.63	1.176	1.295
40	7.34	1.300	1.432
42	8.11	1.437	1.583
44	8.89	1.575	1.735
45	9.25	1.640	1.807
46	9.69	1.718	1.892
48	10.67	1.891	2.083
50	11.46	2.032	2.238
52	12.27	2.174	2.396
54	13.23	2.344	2.583
56	14.24	2.523	2.780
60	15.92	2.821	3.109

6 X 36WS + FC

6 x 36WS + FC

Specific Properties:

Flexibility, Reverse bending behaviour, Good reeling properties on rope pulleys,
Minimal relubrication required

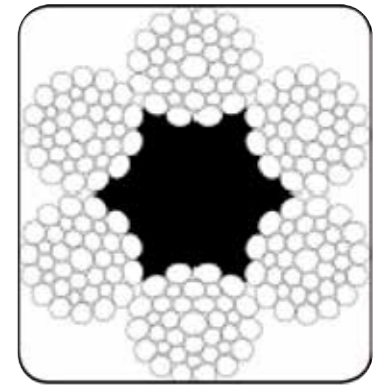
Application:

Shipping: tow ropes, lifting ropes, ramp wire, lifeboat falls, grab ropes, guy ropes, boom hoist ropes, mooring ropes

Harbour – shoreside: lifting ropes, trolley ropes, boom hoist ropes, grab ropes, sling ropes

Industry – shoreside: lifting ropes, guy ropes, traction ropes support cable, sling ropes

Petroleum industry: anchor ropes, winch ropes, lifting ropes



Ø MM	WEIGHT KG/M	1770 N/mm ² MBL KN	1960 N/mm ² MBL KN	Ø MM	WEIGHT KG/M	1770 N/mm ² MBL KN	1960 N/mm ² MBL KN
8	0.24	38	43	41	6.09	984	1090
9	0.29	48	53	42	6.39	1.032	1.143
10	0.37	59	65	43	6.863	1.108	1.227
11	0.44	71	79	44	7.04	1.137	1.259
12	0.52	85	95	45	7.52	1.215	1.346
13	0.62	100	111	46	7.85	1.268	1.404
14	0.71	116	129	47	8.07	1.304	1.445
15	0.83	134	148	48	8.26	1.334	1.477
16	0.93	149	165	49	8.79	1.420	1.573
17	1.072	173	191	50	9.08	1.466	1.624
18	1.19	195	216	51	9.53	1.541	1.706
19	1.32	214	237	52	9.78	1.580	1.749
20	1.48	238	264	53	10.36	1.674	1.853
21	1.62	261	289	54	10.67	1.724	1.909
22	1.77	287	318	55	11.09	1.792	1.985
23	1.90	307	340	56	11.54	1.864	2.064
24	2.12	342	379	57	11.87	1.918	2.123
25	2.28	369	409	58	12.26	1.979	2.192
26	2.47	399	442	60	13.17	2.127	2.355
27	2.63	425	470	61	13.60	2.197	2.433
28	2.85	460	510	62	14.01	2.263	2.506
29	3.06	494	548	64	14.95	2.415	2.674
30	3.29	531	589	65	15.38	2.484	2.751
31	3.52	568	629	66	15.87	2.563	2.838
32	3.73	602	667	67	16.58	2.679	2.966
33	3.97	641	710	68	16.88	2.727	3.020
34	4.22	681	755	70	17.78	2.872	3.181
35	4.44	717	794	72	18.96	3.062	3.391
36	4.69	758	839	74	19.78	3.196	3.539
38	5.25	847	938	76	21.27	3.436	3.805
39	5.52	891	987	77	21.84	3.529	3.908
40	5.83	941	1042				

**6 X 36WS + IWRC**

6 x 36WS + IWRC

Standard: EN 12385-4
 Type of lay: sZ, zS
 Surface: ungalvanized, galvanized

Specific Properties: Flexibility, Reverse bending behaviour and good reeling properties on rope pulleys

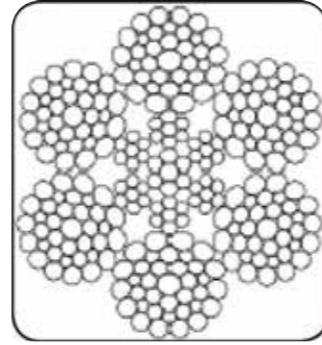
Application:

Shipping: tow ropes, lifting ropes, ramp wire, lifeboat falls, grab ropes, guy ropes, boom hoist ropes, mooring ropes

Harbour – shoreside: lifting ropes, trolley ropes, boom hoist ropes, grab ropes, sling ropes

Industry – shoreside: lifting ropes, guy ropes, traction ropes support cable, sling ropes

Petroleum industry: anchor ropes, winch ropes, lifting ropes



Ø MM	WEIGHT KG/M	1770 N/mm ² MBL KN	1960 N/mm ² MBL KN
8	0.26	41	46
9	0.32	51	57
10	0.40	64	71
11	0.49	77	85
12	0.58	92	102
13	0.68	107	119
14	0.77	125	138
15	0.90	143	159
16	1.02	161	178
17	1.15	183	203
18	1.29	208	230
19	1.45	230	254
20	1.61	255	283
21	1.75	277	307
22	1.94	308	341
23	2.11	334	370
24	2.32	367	406
25	2.50	397	440
26	2.71	430	476
27	2.86	454	503
28	3.15	498	551
29	3.35	530	587
30	3.61	570	632
31	3.82	606	671
32	4.09	648	718
33	4.33	686	759
34	4.62	731	810
35	4.89	774	858
36	5.15	816	904
38	5.77	914	1.012
39	6.04	957	1.060
40	6.40	1.014	1.123

Ø MM	WEIGHT KG/M	1770 N/mm ² MBL KN	1960 N/mm ² MBL KN
41	6.64	1.052	1.165
42	7.03	1.112	1.232
43	7.47	1.184	1.311
44	7.72	1.223	1.354
45	8.20	1.298	1.438
46	8.53	1.351	1.496
47	8.83	1.398	1.548
48	9.18	1.453	1.610
49	9.74	1.542	1.708
50	9.97	1.579	1.749
51	10.39	1.644	1.821
52	10.76	1.704	1.887
53	11.32	1.793	1.985
54	11.68	1.849	2.047
55	12.07	1.912	2.117
56	12.58	1.992	2.206
57	12.98	2.055	2.276
58	13.41	2.122	2.350
60	14.37	2.274	2.519
61	14.84	2.350	2.602
62	15.31	2.425	2.685
64	16.31	2.582	2.859
66	17.31	2.740	3.034
67	18.02	2.853	3.159
68	18.45	2.921	3.234
70	19.41	3.074	3.404
72	20.71	3.279	3.631
74	21.67	3.431	3.799
76	23.16	3.667	4.061
77	23.72	3.757	4.160
82	27.50	4.237	4.692
84	28.86	4.446	4.923

**8 X 26V + 6VT**

8 x 26V + 6VT

Standard: works standard
 Schlag: sZ, zS
 Oberfläche: ungalvanized, galvanized
 compacted strands, yarn between the strands

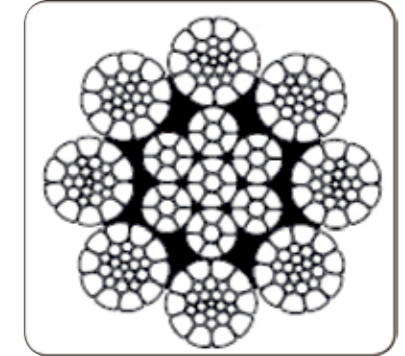
Specific Properties: Flexibility, Reverse bending behaviour, good reeling properties on rope pulleys and rope durability

Application:

Shipping: ramp wires, boom hoist ropes

Harbour – shoreside: lifting ropes, trolley ropes, grab ropes, boom hoist ropes

Industry – shoreside: lifting ropes, grab ropes



Ø MM	WEIGHT KG/M	1770 N/mm ² MBL KN	1960 N/mm ² MBL KN	2160 N/mm ² MBL KN
16	1.15	192	212	234
18	1.45	242	268	295
19	1.60	267	296	326
20	1.79	299	331	365
22	2.19	366	406	447
23	2.37	395	438	482
24	2.59	433	480	529
26	3.02	504	558	615
28	3.51	586	649	715
30	4.09	683	757	834
32	4.63	772	855	942
36	5.81	969	1.073	1.183
40	7.16	1.195	1.323	1.458

**8 X 31WS + IWRC**

8 x 31WS + IWRC

Standard: EN 12385-4
 Type of lay: zZ, sS
 Surface: ungalvanized, galvanized

Specific Properties:
 Flexibility
 Reverse bending behaviour,
 Good reeling properties on rope pulleys

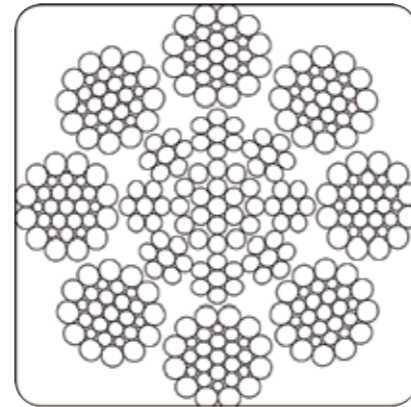
Application:

Shipping: ramp wires, boom hoist ropes

Harbour – shoreside: lifting ropes, trolley ropes, grab ropes, boom hoist ropes

Industry – shoreside: lifting ropes, grab ropes

Petroleum industry: drilling ropes

**8 X 36V + IWRC(K)**

8 x 36V + IWRC(K)

Standard: works standard
 Type of lay: sZ, zS
 Surface: ungalvanized, galvanized compacted strands

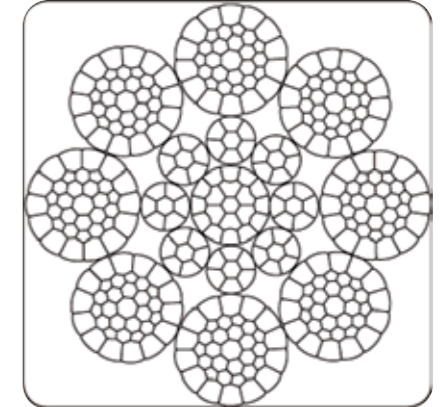
Specific Properties:
 Flexibility, Reverse bending behaviour,
 Good reeling properties on rope pulleys
 Optimum coiling properties (single-layer, multi-layer)

Application:

Shipping: ramp wires, grab ropes, boom hoist ropes

Harbour – shoreside: lifting ropes, grab ropes, boom hoist ropes

Industry – shoreside: lifting ropes, grab ropes.



Ø MM	WEIGHT KG/M	1770 N/mm ² MBL KN	1960 N/mm ² MBL KN	2160 N/mm ² MBL KN
19	1.42	220	244	269
24	2.30	356	395	435
26	2.76	428	474	522
28	3.23	500	554	611
30	3.58	554	613	676
32	4.19	648	718	791
34	4.56	706	781	861
36	5.31	823	911	1.004
40	6.48	1.003	1.111	1.225
42	7.11	1.101	1.219	1.344
44	7.95	1.230	1.362	1.501
46	8.60	1.331	1.474	1.625
48	9.38	1.453	1.608	1.773
49	9.57	1.482	1.641	1.809
50	10.45	1.617	1.790	1.973
51	10.75	1.663	1.842	2.030
52	11.13	1.722	1.907	2.102
53	11.62	1.799	1.992	2.195
56	12.82	1.984	2.197	2.422
60	14.67	2.270	2.514	2.771
64	16.69	2.583	2.860	3.152
84	28.85	4.463	4.943	5.447

Ø MM	WEIGHT KG/M	1770 N/mm ² MBL KN	1960 N/mm ² MBL KN	2160 N/mm ² MBL KN
15	1.03	168	187	206
20	1.79	292	324	357
22	2.21	362	401	442
24	2.69	441	488	538
25	2.84	465	515	568
26	3.11	509	563	620
28	3.54	580	643	708
29	3.73	611	676	746
30	4.00	655	726	800
32	4.65	761	842	928
33	4.79	785	869	958
34	5.21	853	945	1041
36	5.87	962	1065	1174
38	6.61	1083	1199	1321
40	7.22	1183	1309	1443
42	7.82	1281	1418	1563
43	8.12	1329	1472	1622
44	8.73	1429	1583	1744
46	9.30	1523	1686	1858
48	10.66	1745	1933	2130
51	11.53	1888	2090	2304
52	12.02	1967	2179	2401
58	15.35	2513	2783	3067
60	16.51	2703	2994	3299
68	20.68	3386	3750	4133

**SOLIFLEX, COMPACTED STRANDS 32 X 7**

Soliflex, compacted strands 32 x 7

Specific Properties:

Rotation behaviour, Corrosion resistance

Minimal relubrication required

”Optimum coiling properties – single-layer – multi-layer, Good elongation behaviour

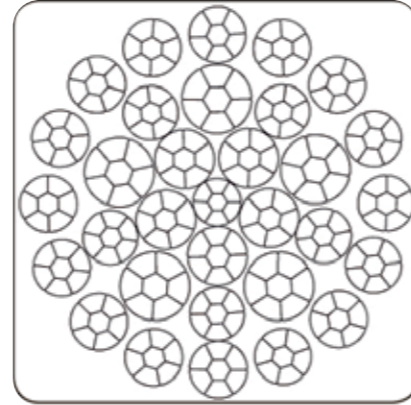
Application:

Shipping: lifting ropes, lifeboat falls, deep sea ropes

Harbour – shoreside: lifting ropes

Industry – shoreside: lifting ropes

Petroleum industry: lifting ropes



Ø MM	WEIGHT KG/M	1570 N/mm ² MBL KN	1770 N/mm ² MBL KN	1960 N/mm ² MBL KN	2160 N/mm ² MBL KN
7	0.25	34	39	43	47
8	0.31	44	49	54	60
9	0.39	55	62	69	76
10	0.49	69	78	86	95
11	0.59	83	93	103	114
12	0.71	100	112	125	137
13	0.84	117	132	147	162
14	0.97	136	153	170	187
15	1.10	154	173	192	212
16	1.25	175	198	219	241
18	1.60	224	253	280	309
19	1.80	252	284	315	347
20	1.96	274	309	342	377
21	2.13	297	335	371	409
22	2.34	328	370	410	452
23	2.56	359	404	448	493
24	2.79	390	440	487	537

TRIFLEX 32 X 7

Triflex 32x7

Standard: works standard

Type of lay: sZ, zS, zZ, sS

Surface: ungalvanized, galvanized, stainless steel (1570 N/mm² or less)

Specific Properties:

Rotation behaviour

Robustness against pinching and abrasion

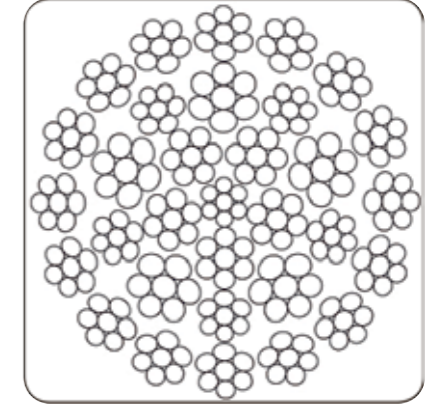
Good reeling properties on rope pulleys

Application:

Shipping: lifting ropes, lifeboat falls, deep sea ropes Harbour – shoreside: lifting ropes

Industry – shoreside: lifting ropes

Petroleum industry: lifting ropes



Ø MM	WEIGHT KG/M	1570 N/mm ² MBL KN	1770 N/mm ² MBL KN	1960 N/mm ² MBL KN	2160 N/mm ² MBL KN
8	0.28	39	45	49	54
9	0.36	50	57	63	69
10	0.44	62	69	77	85
11	0.53	75	85	94	103
12	0.62	87	98	109	120
13	0.73	102	115	128	141
14	0.83	117	132	146	161
15	0.97	137	155	171	189
16	1.09	154	174	193	213
17	1.22	173	195	216	238
18	1.36	191	216	239	263
19	1.51	214	241	267	294
20	1.68	238	268	297	327
21	1.84	261	294	325	359
22	2.04	288	325	360	397
23	2.26	319	360	399	440
24	2.44	345	390	431	475
26	2.87	402	453	502	553
34	4.72	668	753	834	920

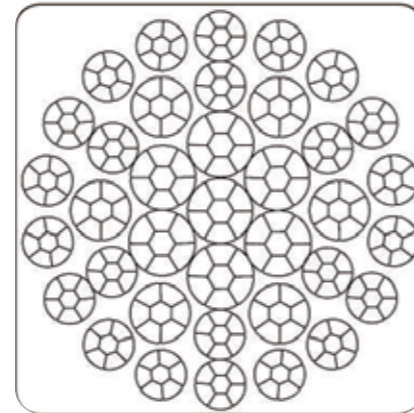
**TRIFLEX, COMPACTED STRANDS 37 X 7**

Triflex, compacted strands 37x7

Standard: works standard
 Type of lay: sZ, zS, zZ, sS
 Surface: ungalvanized, galvanized, stainless steel (1570 N/mm² or less)

Specific Properties:
 Rotation behaviour
 Good reeling properties on rope pulleys
 ”Optimum coiling properties – single-layer – multi-layer,,

Application:
 Shipping: lifting ropes, lifeboat falls, deep sea ropes
 Harbour – shoreside: lifting ropes
 Industry – shoreside: lifting ropes
 Petroleum industry: lifting ropes



Ø MM	WEIGHT KG/M	1570 N/mm ² MBL KN	1770 N/mm ² MBL KN	1960 N/mm ² MBL KN	2160 N/mm ² MBL KN
13	0.83	118	133	147	162
14	0.94	133	150	166	183
15	1.09	156	176	194	214
16	1.22	179	202	223	246
18	1.54	225	254	281	309
19	1.72	252	285	315	348
20	1.93	283	319	353	389
21	2.16	308	347	384	423
22	2.27	340	384	425	468
23	2.63	374	421	467	514
24	2.72	408	460	509	562
25	2.98	443	499	553	610
26	3.30	478	539	597	658
27	3.47	508	573	634	699
28	3.88	552	623	690	760
30	4.50	641	722	800	881
32	4.98	722	814	901	993
33	5.30	756	853	944	1.040
34	5.54	824	929	1.029	1.134
35	6.05	862	972	1.076	1.185
36	6.08	926	1.044	1.156	1.274
38	7.12	1.014	1.143	1.266	1.395
40	7.89	1.124	1.267	1.403	1.546
44	9.47	1.349	1.520	1.684	1.855

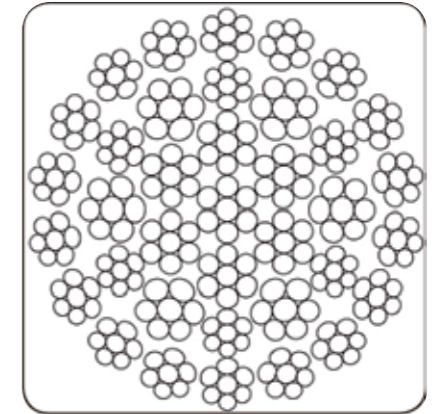
**TRIFLEX 37X7**

Triflex 37x7

Standard: works standard
 Type of lay: sZ, zS, zZ, sS
 Surface: ungalvanized, galvanized, stainless steel (1570 N/mm² or less)

Specific Properties: Rotation behaviour and good reeling properties on rope pulleys

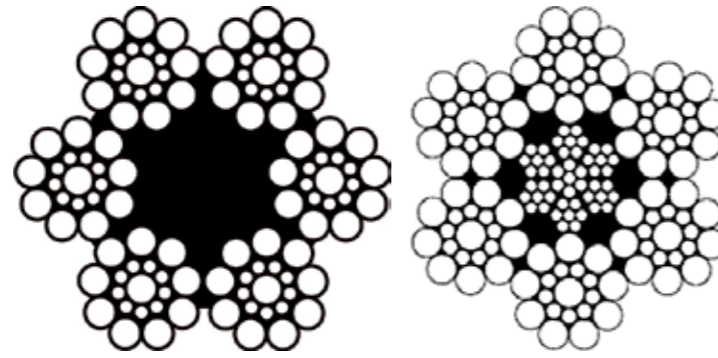
Application:
 Shipping: lifting ropes, lifeboat falls, deep searopes
 Harbour – shoreside: lifting ropes
 Industry – shoreside: lifting ropes
 Petroleum industry: lifting ropes



Ø MM	WEIGHT KG/M	1570 N/mm ² MBL KN	1770 N/mm ² MBL KN	1960 N/mm ² MBL KN	2160 N/mm ² MBL KN
8	0.29	42	47	52	57
9	0.38	53	60	67	73
10	0.46	63	72	79	88
11	0.57	79	89	99	109
12	0.66	93	104	116	128
13	0.77	108	122	135	149
14	0.90	125	141	156	172
15	1.03	143	162	179	197
16	1.21	169	191	211	233
17	1.31	182	206	228	251
18	1.48	206	232	257	284
19	1.62	226	254	282	310
20	1.79	250	282	312	344
21	1.96	274	309	342	377
22	2.16	302	340	377	415
23	2.36	329	371	411	453
24	2.56	358	403	446	492
25	2.76	385	434	481	530
26	3.02	422	475	526	580
27	3.22	450	507	562	619
28	3.56	497	560	620	684
30	3.99	557	629	696	767
32	4.55	635	715	792	873
34	5.20	726	818	906	998
36	5.81	812	915	1013	1117
38	6.44	900	1014	1123	1238
40	7.13	996	1123	1243	1370
44	8.53	1.191	1342	1486	1638
45	8.92	1.245	1404	1555	1713
48	10.10	1.410	1590	1760	1940
49	10.25	1.431	1614	1787	1969

**WIRE, 6X19 GALVANISERT SEAL + FC, SVEIPE WIRE**

Wire, 6x19 Galvanized Seal + FC, Bridlewire

Høgreslått - formlagt
GalvanisertRight hand ordinary lay - Preformed
Galvanized

6 x 19 SE + FC

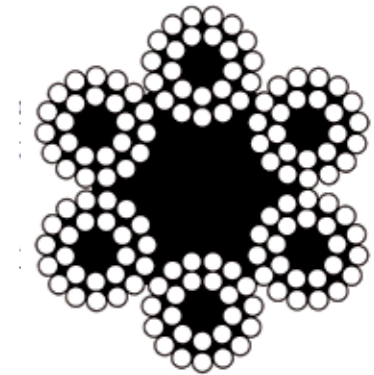
6 x 19 SE + IWRC

VARE NR PART NO	DIM SIZE MM	KONSTRUKSJON CONSTRUCTION	CA VEKT APPROX WEIGHT KG/M	MINIMUM BRUDDSTYRKE MINIMUM BREAKING LOAD 1570 N/mm ²	
				kN	TONN
73G1903	3	6 x 19 SE + FC	0.03	4.9	0.05
73G1904	4	6 x 19 SE + FC	0.05	8.7	0.08
73G1905	5	6 x 19 SE + FC	0.08	13.6	1.3
73G1906	6	6 x 19 SE + FC	0.12	19.6	2.0
73G1908	8	6 x 19 SE + FC	0.23	37.5	3.8
73G1912	12	6 x 19 SE + FC	0.52	70.9	7.2
73G1914	14	6 x 19 SE + FC	0.62	95.2	9.7
73G1916	16	6 x 19 SE + FC	0.80	121.6	12.4
73G1918	18	6 x 19 SE + FC	0.98	150.1	15.3
73G1920	20	6 x 19 SE + FC	1.27	192.3	19.6
73G1922	22	6 x 19 SE + FC	1.60	243.3	24.8
73G1924	24	6 x 19 SE + FC	1.81	273.7	27.9
73G1926	26	6 x 19 SE + FC	2.07	312.9	31.9
73G1928	28	6 x 19 SE + FC	2.45	370.8	37.8
73G1930	30	6 x 19 SE + FC	2.89	445.4	45.4
73G1932	32	6 x 19 SE + FC	3.39	513.1	52.3

VARE NR PART NO	DIM SIZE MM	KONSTRUKSJON CONSTRUCTION	CA VEKT APPROX WEIGHT KG/M	MINIMUM BRUDDSTYRKE MINIMUM BREAKING LOAD 1570 N/mm ²	
				kN	TONN
73G1916IWRC	16	6 x 19 SE + IWRC	0.89	0.89	14.0
73G1918IWRC	18	6 x 19 SE + IWRC	1.10	1.10	17.2
73G1920IWRC	20	6 x 19 SE + IWRC	1.42	1.42	22.5
73G1922IWRC	22	6 x 19 SE + IWRC	1.78	1.78	28.2
73G1924IWRC	24	6 x 19 SE + IWRC	2.01	2.01	31.7
73G1926IWRC	26	6 x 19 SE + IWRC	2.34	2.34	36.9
73G1928IWRC	28	6 x 19 SE + IWRC	2.77	2.77	43.6
73G1930IWRC	30	6 x 19 SE + IWRC	3.21	3.21	50.7
73G1932IWRC	32	6 x 19 SE + IWRC	3.76	3.76	57.6

**WIRE, 6X24 GALVANISERT**

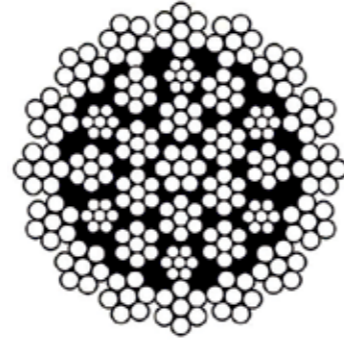
Wire, 6x24 Galvanized



VARE NR PART NO	DIM SIZE MM	CA VEKT APPROX WEIGHT KG/M	MINIMUM BRUDDSTYRKE MIN. BREAKING LOAD 1570 - 1770 N/mm ²	
			kN	TONN
73G2404	4	0.04	7.9	0.8
73G2405	5	0.07	12.4	1.2
73G2406	6	0.10	17.9	1.8
73G2408	8	0.19	31.7	3.2
73G2410	10	0.30	49.6	5.0
73G2412	12	0.43	71.4	7.2
73G2414	14	0.59	96.9	9.8
73G2416	16	0.77	127.0	12.9
73G2418	18	0.98	160.0	16.3
73G2420	20	1.22	197.0	20.1
73G2422	22	1.47	239.0	24.4
73G2424	24	1.75	284.0	29.0
73G2426	26	2.06	335.0	34.1
73G2428	28	2.38	387.0	39.5

**WIRE, 35X7 ROTASJONSFATTIG**

Wire, 35x7 Low rotation

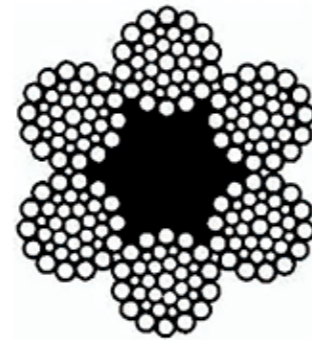
Høgreslått - formlagt
GalvanisertRight hand ordinary lay - Preformed
Galvanized

VARE NR PART NO	DIM SIZE MM	KONSTRUKSJON CONSTRUCTION	CA VEKT APPROX WEIGHT KG/M	MINIMUM BRUDDSTYRKE MIN. BREAKING LOAD 1960 N/mm ²	
				kN	TONN
7335708	8	6 x 19 SE + IWRC	0.27	45.1	4.5
7335710	10	6 x 19 SE + IWRC	0.45	76.0	7.7
7335712	12	6 x 19 SE + IWRC	0.65	107.0	10.9
7335713	13	6 x 19 SE + IWRC	0.76	128.0	12.9
7335714	14	6 x 19 SE + IWRC	0.88	148.0	15.0
7335716	16	6 x 19 SE + IWRC	1.15	194.0	19.7
7335718	18	6 x 19 SE + IWRC	1.45	242.0	24.6
7335720	20	6 x 19 SE + IWRC	1.79	301.0	30.6
7335722	22	6 x 19 SE + IWRC	2.17	370.0	37.7

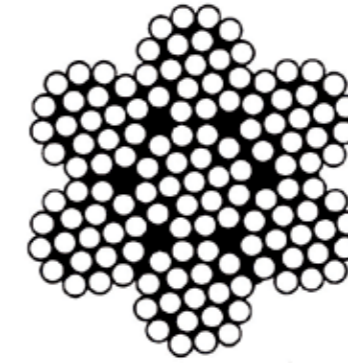
WIRE, 6X36 GALVANISERT

Wire, 6x36 Galvanized

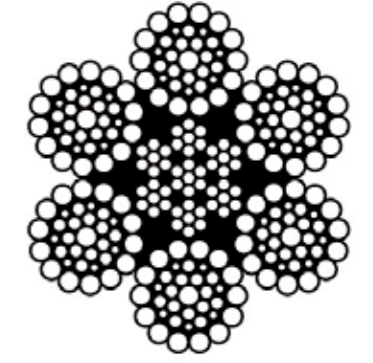
VARE NR PART NO	DIM SIZE MM	CA VEKT APPROX WEIGHT KG/M	MINIMUM BRUDDSTYRKE MIN. BREAKING LOAD 1570 - 1770 N/mm ²	
			kN	TONN
73G3606	6	0.19	21.2	2.6
73G3608	8	0.23	37.3	3.8
73G3610	10	0.37	58.4	5.9
73G3612	12	0.53	84.1	8.5
73G3614	14	0.72	114.0	11.6
73G3616	16	0.94	149.0	15.2
73G3618	18	1.20	189.0	19.2
73G3620	20	1.48	234.0	23.8
73G3622	22	1.79	283.0	28.8
73G3624	24	2.14	336.0	34.2
73G3626	26	2.51	395.0	40.2
73G3628	28	2.91	458.0	46.7
73G3630	30	3.34	526.0	53.6
73G3632	32	3.80	598.0	60.9
73G3636	36	4.80	757.0	77.1

**WIRE, RUSTFRI IWRC**

Wire, Stainless steel IWRC

2 - 12mm 7X19
14 - 18mm 6X36

7X19



6X36

VARE NR PART NO	DIM SIZE M/M	CA VEKT APPROX WEIGHT KG/M	MINIMUM BRUDDSTYRKE MIN. BREAKING LOAD 1570 - 1770 N/mm ²	
			kN	TONN
73R1902	2	0.01	2.3	0.24
73R1903	3	0.03	5.2	0.5
73R1904	4	0.05	9.4	0.9
73R1905	5	0.08	14.7	1.4
73R1906	6	0.12	21.2	2.1
73R1907	7	0.17	28.8	2.9
73R1908	8	0.22	37.6	3.8
73R1910	10	0.34	58.8	5.9
73R3612	12	0.50	84.7	8.6
73R3614	14	0.68	115.0	11.7
73R3616	16	0.89	151.0	15.4
73R3618	18	1.13	191.0	19.4

**OLIVEIRA GREEN STRAND, 6X19 - FC FIBERKJERNE****Oliveira green strand, 6x19 - CF Fiber core**

For bunntråling, reketråling og partråling.

Green Strand er den wiren som er mest brukt rundt om i verden i dag.

Den har god slitastyrke og rust beskyttelse. Den er enkel å spleise og håndtere.

Den leveres i en 6 X 19 konstruksjon, både med fiberkjerne og med stålkjerne.

For bottom trawlers, shrimp trawlers and pair trawlers.

It's the wire rope construction more used around the world;

Very good relation: abrasion resistance/corrosion resistance.

Parallel Lay to avoid the crossing of the single wires in the strands.

Easy to splice and handle.

VARE NR PART NO	DIM SIZE	CA. VEKT APP. WEIGHT	MINIMUM BRUDDSTYRKE MIN. BREAKING LOAD	
	M/M	KG/M	1570 N/mm2	TONN
73OG16	16	0.95	145	14.79
73OG17	17	1.06	163	16.62
73OG18	18	1.19	185	18.87
73OG19	19	1.33	203	20.70
73OG20	20	1.49	228	23.21
73OG22	22	1.72	270	27.76
73OG24	24	2.05	321	32.94
73OG26	26	2.79	389	39.67
73OG28	28	2.85	447	46.60
73OG30	30	3.27	512	53.30
73OG32	32	3.74	585	59.65



12 - 32mm

**OLIVEIRA GREEN STRAND, 6X19 - CWR STÅLKJERNE****Oliveira green strand, 6x19 - CWR Steel core**

VARE NR PART NO	DIM SIZE	CA. VEKT APP. WEIGHT	MINIMUM BRUDDSTYRKE MIN. BREAKING LOAD	
	M/M	KG/M	1570 N/mm2	TONN
73OG18I	18	1.35	198	20.19
73OG19I	19	1.50	217	22.13
73OG20I	20	1.69	250	25.49
73OG22I	22	1.95	295	30.08
73OG24I	24	2.33	351	35.79
73OG26I	26	2.82	427	43.54
73OG28I	28	3.22	495	50.48
73OG30I	30	3.69	575	58.63
73OG32I	32	4.24	650	66.28



18 - 32mm

**OLIVEIRA SUPER YELLOW FIN, FIBERKJERNE****Oliveira super yellow fin, Fiber core**

For snurpenot, men kan også brukes til tråling.

Super Yellowfin er en ekstremt sterk kompaktert wire.

Den er spesielt anbefalt brukt hvor følgende karakteristikker er nødvendige:

Super Yellow Fin® is a compacted steel wire rope extremely strong.

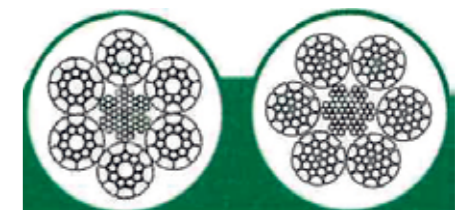
Its utilization is particularly recommended for applications where the following characteristics are necessary:

- Større slitastyrke / *Higher resistance to abrasion*
- Større motstand mot deformering / *Higher resistance against crushing*
- Høyere bruddstyrke / *Higher breaking strength*
- Redusert slitasje ved passering av blokker og styregear / *Reduced wear when passing through blocks and guiding gear*
- Mindre tendens til å snurre / *Lower tendency to untwist*
- Mindre forlengelse av wiren / *Less elongation of wire rope*

VARE NR PART NO	DIM SIZE	CA. VEKT APP. WEIGHT	MINIMUM BRUDDSTYRKE MIN. BREAKING LOAD	
	M/M	KG/M	1570 N/mm2	TONN
73OY22	22	1.90	293	29.88
73OY24	24	2.26	348	35.49
73OY25	25	2.47	379	38.65
73OY26	26	7.70	415	42.32
73OY28	28	3.05	464	47.32
73OY30	30	3.34	505	51.50
73OY32	32	3.95	600	61.18
73OY34	34	4.51	583	69.65
73OY36	36	5.04	760	77.50

14-26mm Seal 6x19K
28-36mm Seal Worrington 6x26K**OLIVEIRA SUPER YELLOW FIN, STÅLKJERNE****Oliveira super yellow fin, Steel core**

VARE NR PART NO	DIM SIZE	CA. VEKT APP. WEIGHT	MINIMUM BRUDDSTYRKE MIN. BREAKING LOAD	
	M/M	KG/M	1570 N/mm2	TONN
73OY14I	14	0.84	130	13.26
73OY16I	16	1.14	170	17.34
73OY18I	18	1.45	215	21.92
73OY20I	20	1.75	256	26.11
73OY22I	22	2.14	315	32.12
73OY24I	24	2.54	372	37.93
73OY25I	25	2.77	415	42.32
73OY26I	26	3.02	453	46.19
73OY28I	28	3.44	510	52.01
73OY30I	30	3.82	590	60.18
73OY32I	32	4.45	665	67.81
73OY34I	34	5.06	750	76.48
73OY36I	36	5.66	841	85.76

14-26mm Seal 6x19K
28-36mm Seal Worrington 6x26K

**OLIVEIRA SUPER ATLANTIC, 6X26K - FC FIBERKJERNE****Oliveira super atlantic, 6x26K - FC Fiber core**

For større pelagiske trålere og bunntråling på større dyp. Super Atlantic er en tung kompaktert wire som er produsert med byggingen 6 X K26SW for å oppnå en større grad av fleksibilitet og med meget høy slitastyrke. Super Atlantic har følgende karakteristikk:

Super Atlantic® is the heavy-compacted fishing wire rope especially designed for pelagic super trawlers and demersal deep sea trawlers. It is produced in the construction 6 x K26SW in order to offer a higher grade of flexibility: and a very strong abrasion resistance.

- Svært høy bruddstyrke / *Very high breaking load*
- Svært liten forlengelse / *Very low elongation*
- Meget gode slitasegenskaper / *Excellent fatigue resistance*
- God ytelse i tøffere forhold / *High performance in tough working condition*
- Høyeste kvalitet ståltråd, laget etter våre spesifikasjoner og spesielt designet for tråling / *Highest quality wire, made according to our specification and especially designed for trawling*

VARE NR PART NO	DIM SIZE	CA. VEKT APP. WEIGHT	MINIMUM BRUDDSTYRKE MIN. BREAKING LOAD	
	M/M	KG/M	1570 N/mm ²	TONN
73OA20	20	1.61	248	23.00
73OA22	22	1.93	297	30.33
73OA24	24	2.29	354	36.14
73OA25	25	2.52	390	39.79
73OA26	26	2.69	416	42.40
73OA28	28	3.18	491	50.08
73OA30	30	3.62	558	56.95
73OA32	32	4.12	636	64.82



19 - 36mm

OLIVEIRA SUPER ATLANTIC, 6X26K - CWR STÅLKJERNE**Oliveira super atlantic, 6x26K - CWR Steel core**

VARE NR PART NO	DIM SIZE	CA. VEKT APP. WEIGHT	MINIMUM BRUDDSTYRKE MIN. BREAKING LOAD	
	M/M	KG/M	1570 N/mm ²	TONN
73OA20I	20	1.79	282	28.72
73OA22I	22	2.15	339	34.55
73OA24I	24	2.57	405	41.33
73OA25I	25	2.81	442	45.10
73OA26I	26	3.00	473	48.22
73OA28I	28	3.55	558	56.95
73OA30I	30	4.02	633	64.54
73OA32I	32	4.59	723	73.70
73OA34I	34	5.19	818	83.40
73OA36I	36	5.80	913	93.10



20 - 44mm

**OLIVEIRA ZINCAL COMPACT, 6X26SW - FC FIBERKJERNE****Oliveira zincal compact, 6x26SW - CF Fiber core**

Zincal Compact® er den nyeste typen wire produsert av Oliveira Sa. Det er et tung komprimert wire med byggingen 6 x K26 Seale Warrington, og blir produsert med stål og fiberkjerne. Zincal Compact er alle wirene dekket med et tykt lag med sink-aluminium legering, som gir en høyere motstand mot rust. Zincal Compact er den beste wire for trålere, hvor det er nødvendig å ha en meget god korrosjons motstand og alle de andre egenskaper som er nevnt nedenfor.

Zincal Compact® is the newest type of steel wire rope manufactured by Oliveira Sa. It is a heavy compacted wire rope with the construction 6 x K26 Seale Warrington, and we manufacture it with steel and fiber core. Zincal Compact has all the wires covered with a thick lay of zinc-aluminum alloy, which gives a higher resistance to the wire rope. Zincal Compact is the best wire rope for trawlers and beamers, where it is necessary to have a very good corrosion resistance added to all the other characteristics mentioned below.

- Utmerket levetid ytelse / *Excellent lifetime performance*
- Utmerket slitasje og slitestyrke / *Excellent abrasion and wear resistance*
- Utmerket motstand mot knusing / *Excellent resistance against crushing*
- Utmerket tretthet motstand / *Excellent fatigue resistance*
- Mindre forlengelse av wiren / *Lower elongation of the wire ropew*

VARE NR PART NO	DIM SIZE	CA. VEKT APP. WEIGHT	MINIMUM BRUDDSTYRKE MIN. BREAKING LOAD	
	M/M	KG/M	1570 N/mm ²	TONN
-	20	1.61	248	25.32
-	22	1.93	297	30.33
-	24	2.29	354	36.14
-	26	2.69	416	42.40
-	28	3.18	491	50.08
-	30	3.62	558	56.95
-	32	4.12	636	64.82
-	34	4.64	717	73.12
-	36	5.21	805	82.06



19 - 36mm

**OLIVEIRA ZINCAL COMPACT, 6X26SW - CWR STÅLKJERNE****Oliveira zincal compact, 6x26SW - CWR Steel core**

VARE NR PART NO	DIM SIZE	CA. VEKT APP. WEIGHT	MINIMUM BRUDDSTYRKE MIN. BREAKING LOAD	
	M/M	KG/M	1570 N/mm ²	TONN
73OA26Iz	26	3.00	473	48.22
73OA28Iz	28	3.55	558	56.94
73OA30Iz	30	4.02	633	64.54
73OA30IzV	30	4.02	633	64.54
73OA32Iz	32	4.59	723	73.71
73OA32IzV	32	4.59	723	73.71
73OA34Iz	34	5.19	818	83.40
73OA36Iz	36	5.80	913	93.11
73OA38Iz	38	6.44	1.015	103.46
-	40	7.19	1.131	115.36



20 - 44mm





SNURPELINE, OLIVEIRA SEINE 22

Purse seine wire, Oliveira seine 22

Fleksibel snurpewire, - svært populær på mindre og middels store snurpere.
Flexible purse wire, very popular on small and medium purse seiners.

- Tykkere ytterwire sammenlignet med 6x24S+7CF / *Thicker outerwires, compared to 6x24S+7CF*
- Svært lett å håndtere og å spleise / *Very easy to handle and to splice*
- Stor motstand mot deformering / *Greater resistance to deformation*
- Redusert slitasje ved passering av blokker og styregear / *Reduced abrasion when passing through blocks and guiding gear*
- Ingen kontakt mellom wiretrådene i cordelene / *No contact between the wires in the strands*



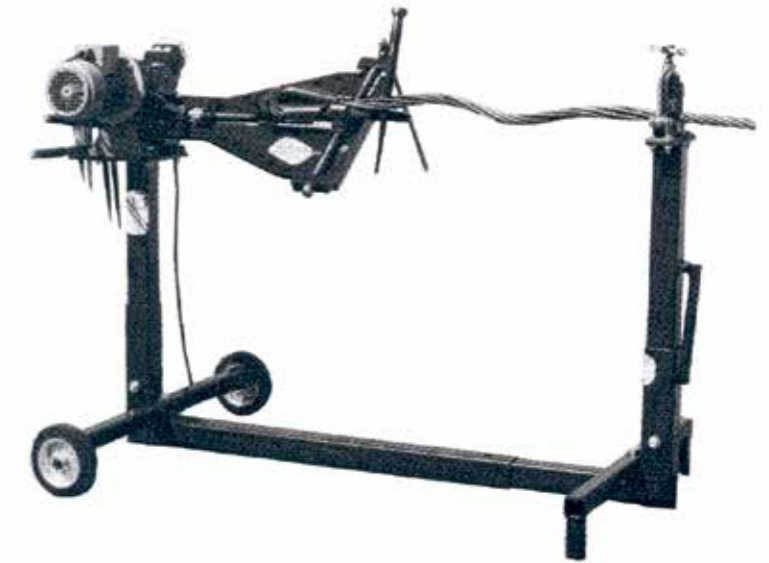
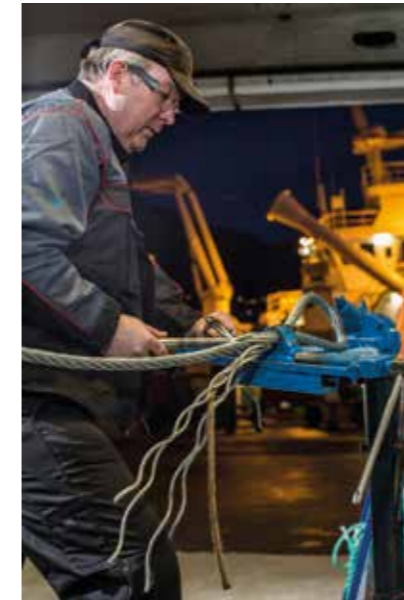
VAREN PART NO	DIM SIZE M/M	CA. VEKT APP. WEIGHT KG/M	MINIMUM BRUDDSTYRKE MIN. BREAKING LOAD 1570 N/mm2	TONN
73SOS14	14	0.60	92	9.30
73SOS16	16	0.81	123	12.60
73SOS18	18	1.06	160	16.30
73SOS19	19	1.16	175	17.90
73SOS20	20	1.33	201	20.50
73SOS22	22	1.51	229	23.30
73SOS24	24	1.83	278	28.30
73SOS25	25	2.05	310	31.60
73SOS26	26	2.18	331	33.80



SPLEISING AV WIRE

Splicing of wire,

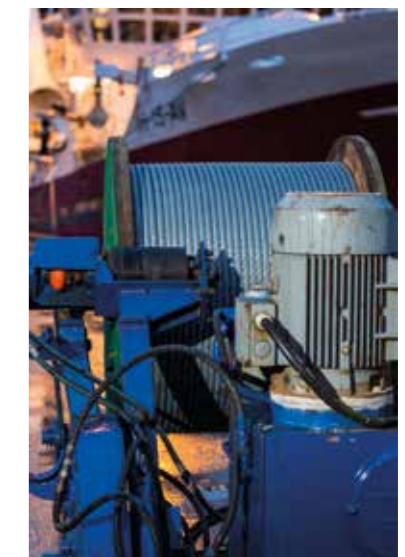
Selstad har utstyr for spleising av wire. I tillegg har vi talluritpresse hvor vi kan presse T-lås på wire opp til 30mm.
Selstad have equipment for splicing of wire. We have also tallurit press where we can press ferrules up to 30mm.



SPOLING AV WIRE, SPOLING MED SPENNING

Spooling of wire , spooling with tension

Vi har spoleapparat i Måløy, Ålesund og Tromsø.
We have spooling devices in Måløy, Ålesund and Tromsø.



**TALURIT****Wire lock, talurit**

Selstad har egen taluritpresse og kan presse T-lås på wire opp til 30mm stålkjerne og 32mm fiberkjerne.
Selstad has it's own talurit press which can press locks up to 30mm on steel core wire, and 32mm on fiber core wire.



Taluritlås leveres i Aluminium, Kobber og Stål.
We deliver talurit locks made of aluminium, copper and steel.

Selstad har sertifisert personell som monterer alle typer lås og terminaler.
Selstad have certified personnel to installing any type lock and terminals.



VARE NR PART NO	TYPE ALUMINIUM ALUMINIUM	WIRE DIM WIRE SIZE M/M	VARE NR PART NO	TYPE STÅLLÅS STEEL	WIRE DIM WIRE SIZE M/M	VARE NR PART NO	TYPE KOBBER COPPER	WIRE DIM WIRE SIZE M/M
7523AL02	ALULÅS	2.0	7523ST08	STÅLLÅS	8.0	7523TK02	KOBBER	2.0
7523AL03	ALULÅS	3.0	7523ST10	STÅLLÅS	10.0	7523TK03	KOBBER	3.0
7523AL04	ALULÅS	4.0	7523ST12	STÅLLÅS	12.0	7523TK04	KOBBER	4.0
7523AL05	ALULÅS	5.0	7523ST14	STÅLLÅS	14.0	7523TK05	KOBBER	5.0
7523AL06	ALULÅS	6.0	7523ST16	STÅLLÅS	16.0	7523TK06	KOBBER	6.0
7523AL08	ALULÅS	8.0	7523ST18	STÅLLÅS	18.0	7523TK08	KOBBER	8.0
7523AL10	ALULÅS	10.0	7523ST20	STÅLLÅS	20.0	7523TK09	KOBBER	9.0
7523AL11	ALULÅS	11.0	7523ST22	STÅLLÅS	22.0	7523TK10	KOBBER	10.0
7523AL12	ALULÅS	12.0	7523ST24	STÅLLÅS	24.0	7523TK11	KOBBER	11.0
7523AL13	ALULÅS	13.0	7523ST26	STÅLLÅS	26.0	7523TK12	KOBBER	12.0
7523AL14	ALULÅS	14.0	7523ST28	STÅLLÅS	28.0	7523TK13	KOBBER	13.0
7523AL16	ALULÅS	16.0	7523ST30	STÅLLÅS	30.0	7523TK14	KOBBER	14.0
7523AL18	ALULÅS	18.0	7523ST32	STÅLLÅS	32.0	7523TK16	KOBBER	16.0
7523AL20	ALULÅS	20.0	7523ST34	STÅLLÅS	34.0	7523TK18	KOBBER	18.0
7523AL22	ALULÅS	22.0	7523ST36	STÅLLÅS	36.0	7523TK20	KOBBER	20.0
7523AL24	ALULÅS	24.0	7523ST40	STÅLLÅS	40.0			
7523AL26	ALULÅS	26.0						
7523AL28	ALULÅS	28.0						
7523AL30	ALULÅS	30.0						
7523AL32	ALULÅS	32.0						
7523AL34	ALULÅS	34.0						
7523AL36	ALULÅS	36.0						
7523AL40	ALULÅS	40.0						

WIRELÅS, RUSTFRI**Wire lock, stainless**

VARE NR PART NO	DIM SIZE M/M
75271003	3
75271004	4
75271005	5
75271006	6
75271008	8
75271010	10
75271013	13

**WIRELÅS, GALVANISERT****Wire lock, galvanized**

VARE NR PART NO	DIM SIZE M/M	VARE NR PART N	DIM SIZE M/M
7527WG03	3	7527WG18	18
7527WG04	4	7527WG20	20
7527WG05	5	7527WG22	22
7527WG06	6	7527WG24	24
7527WG08	8	7527WG26	26
7527WG10	10	7527WG28	28
7527WG11	11	7527WG30	30
7527WG13	12	7527WG34	34
7527WG14	14	7527WG36	36
7527WG16	16	7527WG40	40

**WIRELÅS, IRON GRIP****Wire lock, iron grip**

VARE NR PART NO	DIM SIZE M/M	STÅLTAU DIAM WIRE DIAM M/M	ANTALL KLEMMER NUMBER LOCKS	BOLT DIA BOLT DIA M/M
7527IG06	6	6	3	M6
7527IG08	8	8	3	M6
7527IG10	10	10	3	M8
7527IG12	12	12	3	M10
7527IG16	16	16	3	M12
7527IG20	20	20	4	M14
7527IG25	25	25	4	M16
7527IG35	35	35	5	M20

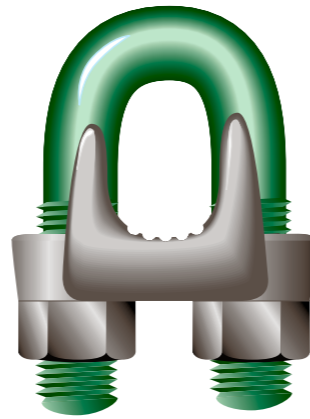




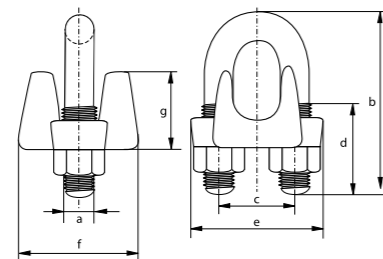
WIREKLEMME GP ETTER EN13411-5 TYPE B

Green pin® wire rope clips
Generally to en 13411-5 type b

- Material: Bridge : drop forged high tensile steel SAE 1045
U-bolt : SAE 1015
- Standard: EN 13411-5 Type B Formerly U.S. Federal Specification FF-C-450D
- Finish: hot dipped galvanized nuts for diameter bow
5 and 6 mm are electro-galvanized
- Certification: a works certificate can be supplied upon request



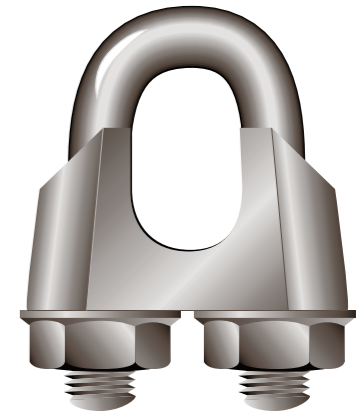
FOR WIRE		A	B	C	D	E	F	G	100 PCS
INCH	MM	MM	MM	MM	MM	MM	MM	MM	KG
1/8	4	5	24	12	11	24	21	10	2
3/16	5	6	31	15	13	29	24	13	4
1/4	7	8	34	19	13	37	30	18	8
5/16	8	10	45	22	19	43	33	19	14
3/8	10	11	49	26	19	49	42	25	19
7/16	11	12	60	30	25	58	46	26	31
1/2	13	13	61	30	25	58	48	31	34
9/16	15	14	72	33	32	63	52	31	36
5/8	16	14	74	33	32	64	54	36	45
3/4	20	16	86	38	37	72	57	38	68
7/8	22	19	98	45	41	80	62	40	108
1	26	19	108	48	46	88	67	47	113
1 1/8	30	19	117	51	51	91	73	48	140
1 1/4	34	22	130	59	54	105	79	56	207
1 3/8	36	22	140	60	59	108	79	58	234
1 1/2	40	22	147	66	60	112	85	64	266
1 5/8	42	25	161	70	67	121	92	67	329
1 3/4	46	29	174	78	70	134	97	76	441
2	52	32	195	86	78	150	113	85	603
2 1/4	58	32	213	98	81	162	116	100	707
2 1/2	65	32	227	105	87	168	119	113	806
2 3/4	72	32	243	112	91	174	127	124	1000
3	78	38	271	121	98	194	135	136	1440



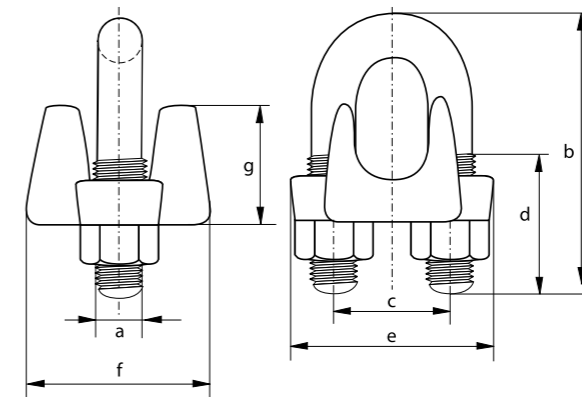
WIREKLEMME ETTER DIN 741

Wire rope clips
Generally to din 741

- Material: Bridge: AISI 316
Nuts: AISI 316
U-bolt: AISI 316
- Standard: formerly DIN 741
- Finish: polished



FOR WIRE	A	B	C	D	E	F	G	100PCS
MM	MM	MM	MM	MM	MM	MM	MM	KG
3	4	20	9	12	21	10	10	1.4
4	4	22	9	12	21	10	10	1.4
5	5	24	11	13	23	11	10	1.5
6	5	28	13	15	26	12	11	2.1
8	6	34	16	19	30	14	15	4.1
10	8	42	19	22	34	18	17	6.8
13	10	55	24	30	42	23	21	13
16	12	63	29	33	50	26	26	21
19	12	75	32	38	54	29	30	28
22	14	85	37	44	61	33	34	40
26	14	95	41	45	65	35	37	44





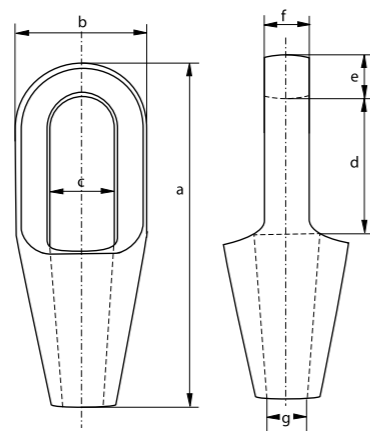
SOCKET, SPELTER LUKKET GP

Green pin® sockets
Closed spelter socket

- Material: high tensile steel
- Finish: hot dipped galvanized
- Temperature Range: -20°C up to +200°C
- Certification: a works certificate, proof load test certificate and EC Declaration of Conformity can be supplied upon request



TYPE	MIN BREAKING LOAD	FOR WIRE	A	B	C	D	E	F	G	KG
	T	MM	MM	MM	MM	MM	MM	MM	MM	
296	8	6 - 7	101	37	22	40	11	13	8.5	0.3
297	12	8 - 10	119	43	25	48	14	17.5	12	0.5
298	20	11 - 13	140	52	30	58	18	23.4	14.8	0.7
299	25	14 - 16	162	68	37	66	21	26	17.6	1.5
200	40	18 - 19	194	76	42	78	27	32	21.5	2.1
201	55	20 - 22	224	92	47	90	33	38	24	3.6
204	75	23 - 26	253	104	57	103	36	44	28	5.8
207	90	27 - 30	282	114	63	116	39	51	32	7
212	125	31 - 36	312	127	70	130	43	57	38	10.5
215	150	37 - 39	358	136	79	155	51	63	41	13
217	170	40 - 42	390	146	83	171	54	70	44	17
219	225	43 - 48	443	171	93	198	55	76	51	26
222	280	49 - 54	502	193	100	224	62	82	57	37.5
224	360	55 - 60	548	216	112	247	73	92	63	50
226	425	61 - 68	597	241	140	270	79	102	73	65
227	460	69 - 75	644	273	159	286	79	124	79	94
228	560	76 - 80	686	292	171	298	83	133	86	115
229	625	81 - 86	743	311	184	311	102	146	92	145
230	720	87 - 93	788	330	197	330	102	159	99	168
231	875	94 - 102	845	362	216	356	108	178	108	210
233	1200	108 - 115	1000	405	235	425	125	190	125	330
240	1300	120 - 130	1150	450	260	525	125	200	143	500



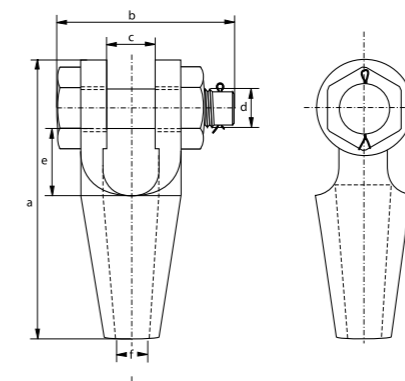
SOCKET, SPELTER ÅPEN SJAKKEL BOLT/MUTTER GP

Green pin® sockets
Open spelter socket with safety bolt

- Material: high tensile steel
- Finish: hot dipped galvanized
- Temperature Range: -20°C up to +200°C
- Certification: a works certificate, proof load test certificate and EC Declaration of Conformity can be supplied upon request.



TYPE	MIN BREAKING LOAD	FOR WIRE	A	B	C	D	E	F	KG
	T	MM	MM	MM	MM	MM	MM	MM	
196	8	6 - 7	109	62	19	16	30	8.5	0.4
197	12	8 - 10	124	75	21	21	34	12	0.8
198	20	11 - 13	143	109	26	25	37	15	1
199	25	14 - 16	172	133	33	30	49	18	1.8
100	40	18 - 19	205	145	38	35	58	21	3
104	55	20 - 22	235	161	44	41	68	24	4.6
108	75	23 - 26	275	189	51	50	75	28	8
111	90	27 - 30	306	208	57	57	85	32	11
115	125	31 - 36	338	226	63	63	95	38	16
118	150	37 - 39	394	246	76	70	127	41	23
120	170	40 - 42	418	256	76	77	127	44	27

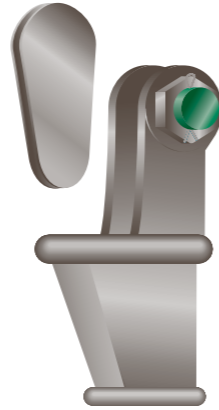




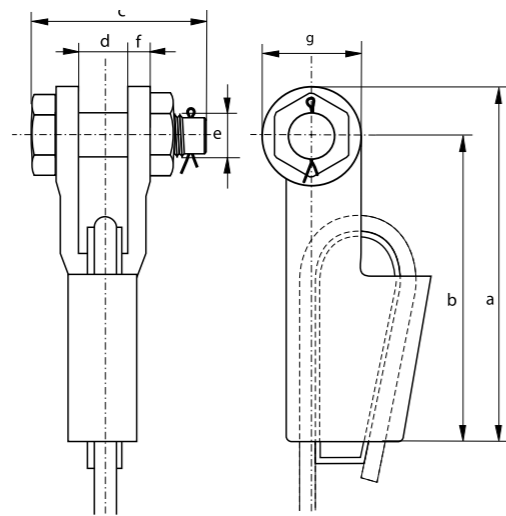
WEDGE SOCKET, ÅPEN BOLT/MUTTER

Green pin® sockets
Open wedge socket with safety bolt

- Material: high tensile steel
- Standard: generally to EN 13411-6
- Finish: hot dipped galvanized
- Temperature Range : -20°C up to +200°C
- Certification: a works certificate, proof load test certificate and EC Declaration of Conformity can be supplied upon request.



TYPE	MIN BREAKING LOAD T	FOR WIRE MM	A MM	B MM	C MM	D MM	E MM	F MM	G MM	WEIGHT KG
0.25	8	7 - 8	128	110	76	18	16	9	36	0.8
0.5	12	9 - 10	165	142	91	20	20	11	46	1.5
1	20	11 - 13	175	146	109	25	25	12	57	2.4
2	25	14 - 16	211	176	133	31	30	15	70	4
3	40	18 - 19	252	212	145	38	35	16	80	7
4	55	20 - 22	288	240	161	44	41	19	95	11
5	75	24 - 26	329	274	189	51	50	22	110	16
6	90	27 - 29	375	310	208	57	57	25	130	21
7	110	30 - 32	423	350	226	63	63	28	146	30
8	125	34 - 36	474	400	233	69	65	28	148	37
9	150	37 - 39	527	450	246	76	70	30	153	51
10	170	40 - 42	580	500	256	76	77	33	160	64



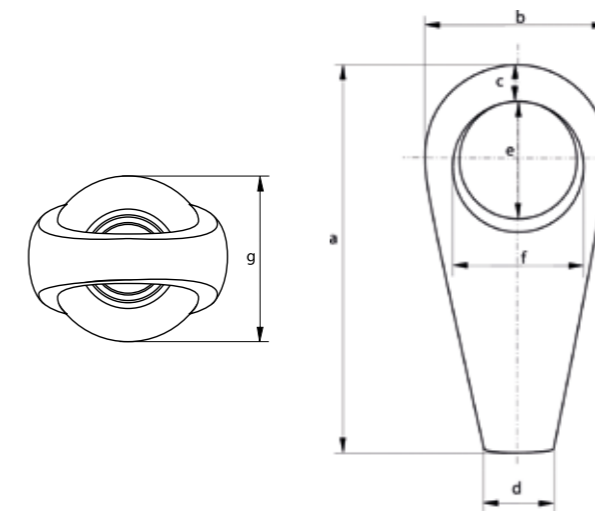
SOCKET SPELTER, KORT BUE LUKKET

Short bow sockets
Closed spelter socket

- Material: alloy steel
- Finish: hot dipped galvanized
- Certification: a works certificate and a proof load test certificate can be supplied upon request



FOR WIRE INCH	A MM	B MM	C MM	D MM	E MM	F MM	G MM	WEIGHT KG
1 1/4 - 1 3/8	246	122	38	48	83	76	97	18
1 1/2 - 1 5/8	305	152	40	57	104	92	123	22
1 3/4 - 1 7/8	356	178	47	66	121	112	140	28
2 - 2 1/8	391	202	53	76	133	121	158	32
2 1/4 - 2 3/8	438	221	61	80	146	133	184	44
2 1/2 - 2 5/8	457	264	68	96	165	149	217	56
2 3/4 - 2 7/8	540	273	74	105	178	163	222	68
3 - 3 1/8	584	295	76	115	194	174	243	100
3 1/4 - 3 3/8	626	319	82	121	216	194	260	120
3 1/2 - 3 5/8	670	340	92	127	219	202	270	145
3 3/4 - 3 7/8	698	356	98	133	235	214	290	190
4 - 4 1/4	803	412	112	152	270	242	318	250





ANDRE JERNVARER

KAUSER S. 136

SNURPERINGER S. 146

LØFTERINGER S. 150

BRILLER S. 152

POSELÅS, HÅVLÅS OG RESERVEDELER S. 153

SVIVLER S. 155

ANKER S. 158

LØFTEHODER S. 159

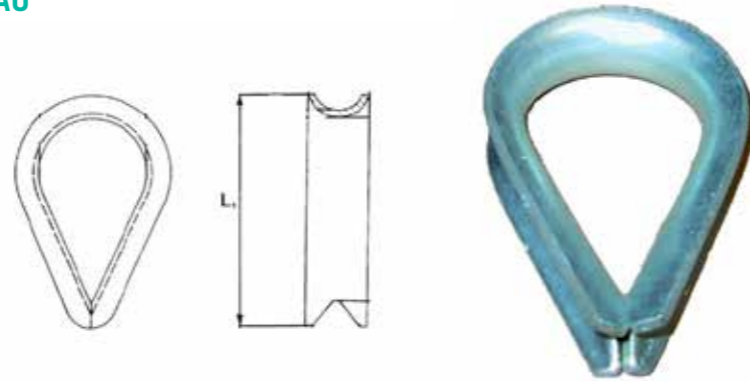
STREKKFISKER S. 166

TERMINAL MED GJENGER S. 172

LASTESTRAMMERE S. 172

**HJERTEKAUSE, GALVANISERT FOR TAU**

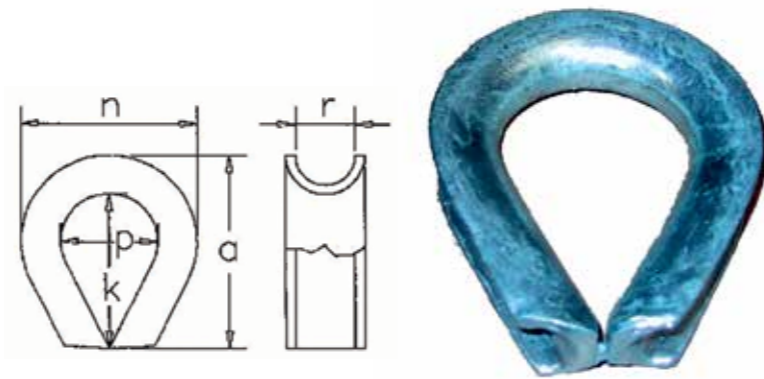
Thimble, galvanized



VARE NR PART NO.	DIMENSJON SIZE (L1) TOMMER INCHES	FOR TAU FOR ROPE MM	VARE NR PART NO	DIMENSJON SIZE (L1) TOMMER INCHES	FOR TAU FOR ROPE MM	VARE NR PART NO	DIMENSJON SIZE (L1) TOMMER INCHES	FOR TAU FOR ROPE MM
7512KG05	1"		7512KG16	3 1/4"	14	7512KG295	6 1/2"	26
7512KG08	1 1/2"		7512KG18	3 1/2"	15	7512KG30	7"	28
7512KG09	1 3/4"		7512KG19	3 3/4"	16	7512KG50	8"	32
7512KG10	2"	8	7512KG20	4"	18	7512KG60	9"	36
7512KG12	2 1/4"	10	7512KG23	4 1/2"	20	7512KG70	11"	44
7512KG13	2 1/2"	11	7512KG25	5"	22			
7512KG14	2 3/4"	12	7512KG28	5 1/2"	24			
7512KG15	3"	13	7512KG29	6"	24			

WIREKAUSE, GALVANISERTE

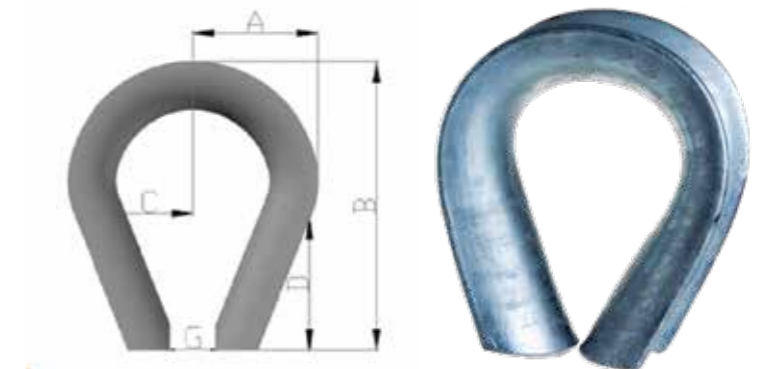
Thimble for wire, galvanized



VARE NR PART NO	DIMENSJON SIZE (A) TOMMER INCHES	FOR WIRE FOR WIRE ROPE MM
7512WG31	3"	12
7512WG35	3 1/2"	15
7512WG40	4"	18
7512WG45	4 1/2"	20
7512WG50	5"	22
7512WG60	6"	26
7512WG70	7"	30
7512WG90	9"	36

TAUKAUSE, GALVANISERT, SELSTAD

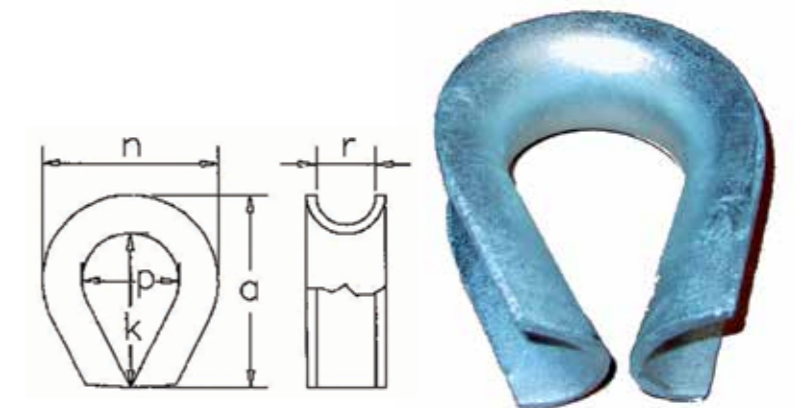
Thimble for rope, galvanized, Selstad



VARE NR PART NO	DIMENSJON SIZE (B) TOMMER INCHES	A MM	C MM	D MM	ROPE SIZE E MM	F MM	G MM	VEIGHT VEKT
7512TC04	4"	75	50	78	32	5	20	0.58
7512TC05	5"	110	65	95	40	5	20	0.95
7512TC06	6"	120	75	115	48	5	20	1.60
7512TC07	7"	140	85	140	56	6	20	2.17
7512TC08	8"	160	105	160	64	7	22	3.80
7512TC09	9"	180	110	175	72	8	22	5.62
7512TC10	10"	200	120	190	80	9	22	6.25
7512TC11	11"	220	145	210	88	9	22	10.00
7512TC12	12"	250	150	230	102	9	22	15.10

TAUKAUSE, GALVANISERT

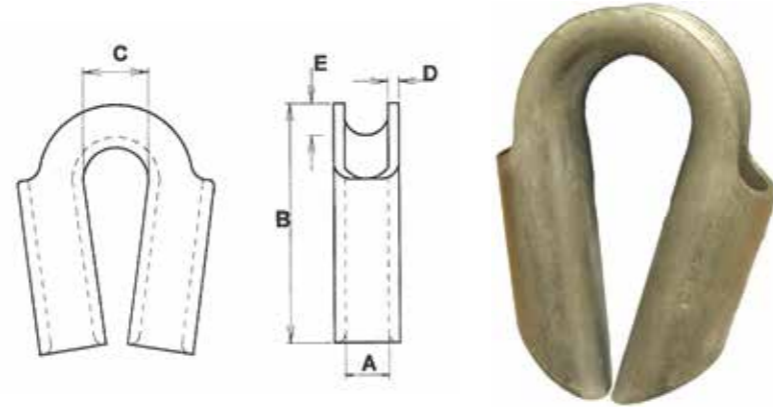
Thimble for rope, galvanized



VARE NR PART NO	DIMENSJON SIZE (A) TOMMER INCHES	DIMENSJON SIZE (A) MM	FOR TAU FOR ROPE SIZE MM	FOR 8 FLETTET FOR 8 STRAND SIZE MM	N MM	K MM	P MM	R MM	VEKT WEIGHT KG
7512TG20	4"	102	32	-	75	78	50	32	0.42
7512TG25	5"	127	40	-	110	100	65	40	0.78
7512TG30	6"	152	48	40	120	130	75	48	1.30
7512TG40	7"	178	58	48	140	142	85	56	1.80
7512TG50	8"	203	64	56	160	170	105	64	3.20
7512TG60	9"	230	72	64	180	185	110	72	5.00
7512TG70	10"	254	80	72	200	200	120	80	6.10

**RØRKAUSE, GALVANISERT**

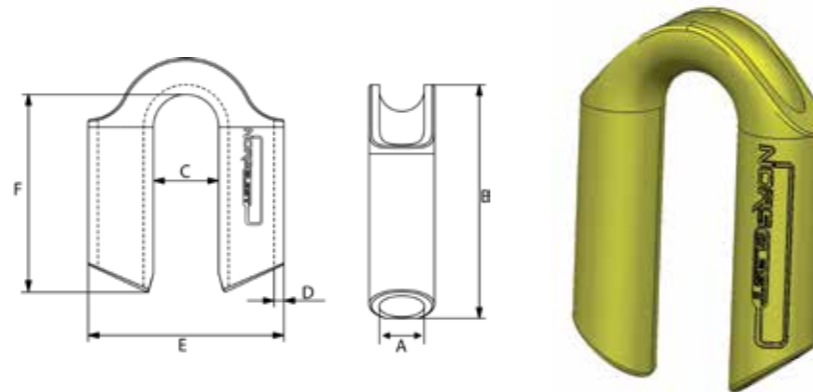
Wire thimble, galvanized

Galvanisert
Galvanized

VARE NR PART NO	A MM	B MM	C MM	D MM	FOR TAU MAX DIA MM	VEKT WEIGHT KG
7512RG40	55	298	85	7	40	5.95
7512RG44	60	308	86	7	44	6.85
7512RG48	65	312	88	7	48	7.20
7512RG56	70	332	90	7	56	7.60
7512RG64	75	342	81	7	64	8.30
7512RG72	88	450	130	10	72	20.1
7512RG80	94	500	150	10	80	24.9

RØRKAUSE, NORSelast®

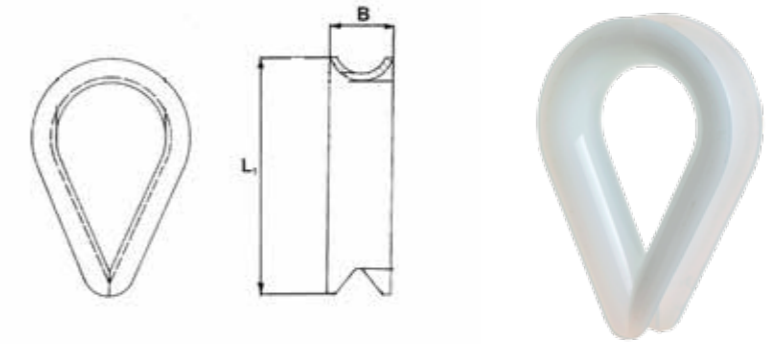
Thimble, plastic- NORSelast®

Plast
Plastic

VARE NR PART NO	A MM	B MM	C MM	D MM	E MM	F MM	FOR TAU MAX MM	VEKT WEIGHT KG
7512RP44	60	30.81	86	13	25.8	25.98	44	1.7
7512RP48	65	31.21	88	13	27.0	26.13	48	1.9
7512RP56	70	33.20	90	13	28.2	27.87	56	2.1
7512RP64	75	34.19	94	13	29.6	28.61	64	2.3

PLASTKAUSE

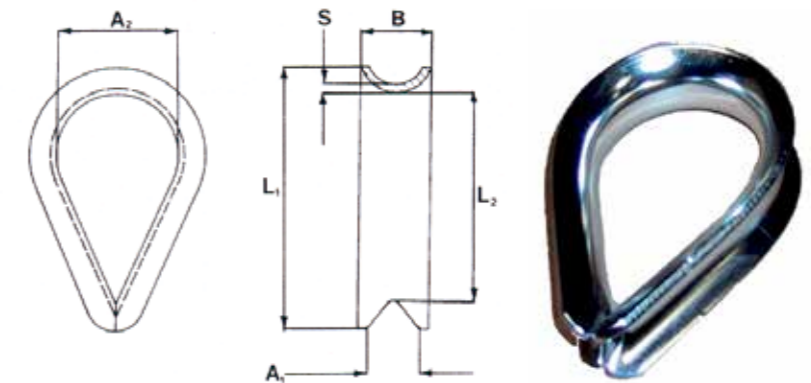
Plastic thimble

Nylon
Nylon

VARE NR PART NO.	DIM SIZE (L1) TOMMER/ INCHES	L1 M/M	B M/M	FOR TAU FOR ROPE M/M
7512KP10	2"	50	10	8
7512KP13	2 1/2"	65	12	11
7512KP15	3"	79	-	13

HJERTEKAUSE, RUSTFRI

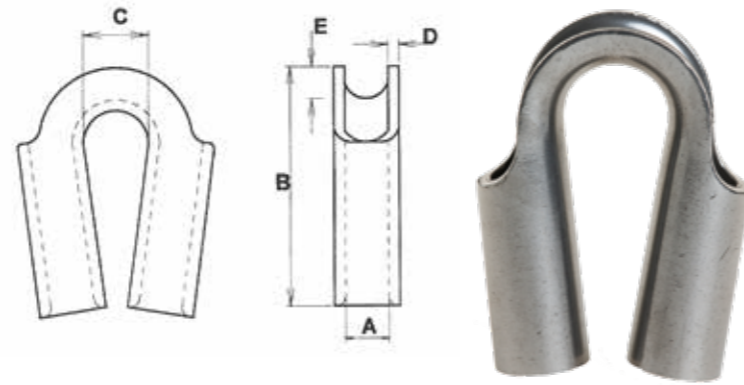
Thimble, stainless steel



VARE NR PART NO	DIM SIZE (L1) TOMMER/ INCHES	L1 M/M	L2 M/M	WIRE DIA(a1) M/M	A2 M/M	B M/M	S M/M	VEKT WEIGHT KG/100
7512TS08	1 1/2"	35	25	7	15	10	1.2	1.20
7512TS09	2"	50	38	9	22	13	2	2.70
7512TS10	2 1/2"	65	48	11	27	15,5	2	5.20
7512TS14	3"	77	57	16	38	19	3	11.00
7512TS16	3 1/2"	87	67	18	40	22	3	12.00
7512TS19	4"	100	77	20	44	25	3.5	21.50

**RØRKAUSE, RUSTFRI**

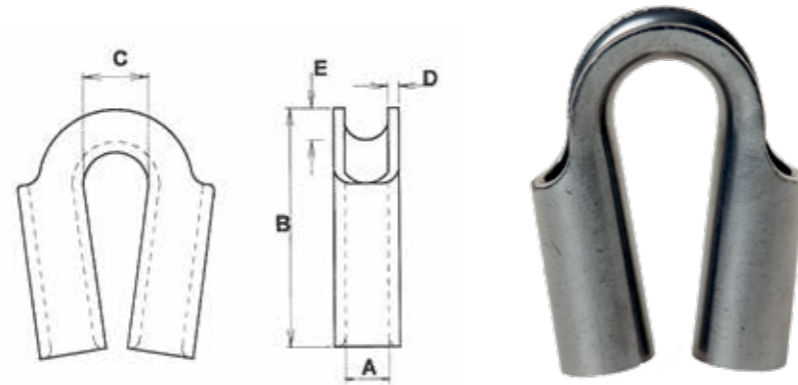
Wire thimble, stainless steel.

Rustfritt stål
Stainless steel

VARENR							FOR WIRE	VEKT
PART NO	TYPE	A	B	C	D	E	MAX	WEIGHT
		M/M	M/M	M/M	M/M	M/M	M/M	KG
7512SWKR24	G 827	24	136	46	5.0	15	21	1.04
7512SWKR28	G 831	27	142	45	5.0	15	24	1.29

RØRKAUSE, RUSTFRI

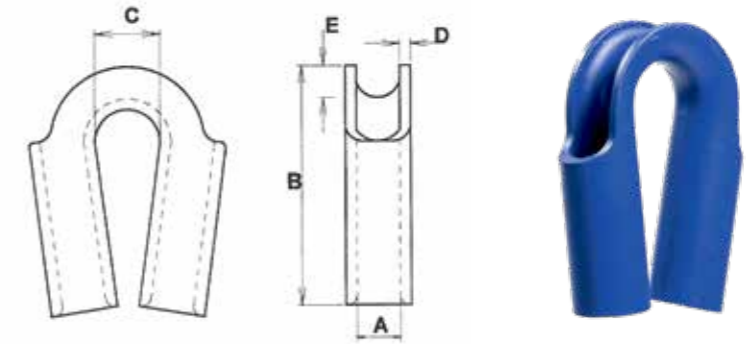
Wire thimble, stainless steel.

Rustfritt stål
Stainless steel

VARE NR							FOR WIRE	VEKT
PART NO	TYPE	A	B	C	D	E	MAX	WEIGHT
		M/M	M/M	M/M	M/M	M/M	M/M	KG
7512RR19	G 819	19	113	31	5.0	11	16	0.79
7512RR24	G 824	24	136	46	5.0	15	21	1.04
7512RR27	G 827	27	142	45	5.0	15	24	1.29
7512RR31	G 831	31	163	48	7.0	19	28	1.84
7512RR39	G 839	39	179	60	5.5	20	35	1.68

Leveres med og uten kile.
Supplied with or without gusset**RØRKAUSE, BLÅ**

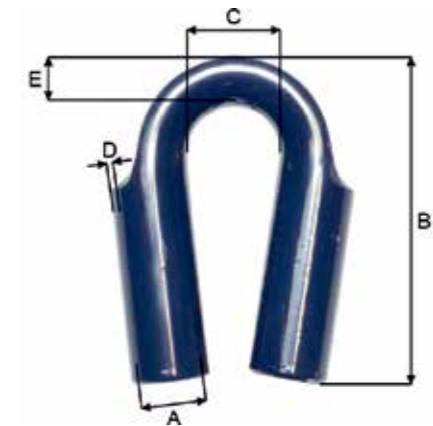
Wire thimble, blue

*Leveres med og uten kile.
*Supplied with or without gusset

VARE NR							FOR WIRE	VEKT
PART NO	TYPE	A	B	C	D	E	MAX	WEIGHT
		M/M	M/M	M/M	M/M	M/M	M/M	KG
7512SWKB16	G719	19	112	32	5	12	16	0.60
7512SWKB18	G722	22	125	35	5	15	18	0.71
7512SWKB22*	G725	25	150	45	6.3	16	22	1.21
7512SWKB24*	G728	28	157	45	7	16	24	1.60
7512SWKB25	G730	30	170	47	7	18	25	1.91
7512SWKB32*	G730	35	190	60	7	22	32	2.36
7512SWKB36*	G740	40	212	70	9	36	36	3.46
7512SWKB38*	G745	45	228	70	7	27	38	3.54

RØRKAUSE, BLÅ

Wire thimble, blue

*Leveres med og uten kile.
*Supplied with or without gusset

VARE NR							FOR WIRE	VEKT
PART NO	TYPE	A	B	C	D	E	MAX	WEIGHT
		M/M	M/M	M/M	M/M	M/M	M/M	KG
7512WB10*	G712	12	84	23	4	8	10	0.21
7512WB12*	G715	15	95	27	5	10	12	0.40
7512WB14*	G717	17	100	27	5	10	14	0.48
7512WB16*	G719	19	112	32	5	12	16	0.60
7512WB18*	G722	22	125	35	5	15	18	0.71
7512WB22*	G725	25	150	45	6.3	16	22	1.21
7512WB25*	G725	28	157	45	7	16	24	1.60
7512WB30*	G730	30	170	47	7	18	25	1.91
7512WB32*	G735	35	190	60	7	22	32	2.36
7512WB45*	G745	45	228	70	7	27	38	3.54



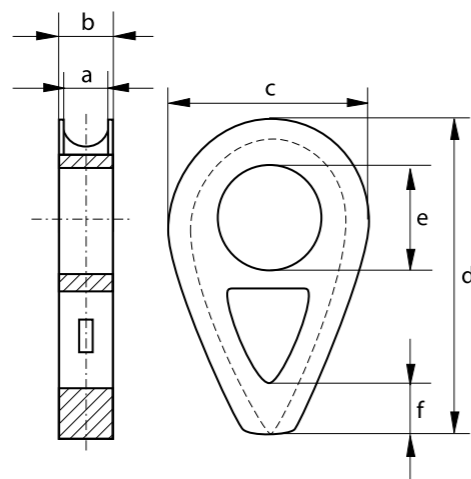
KAUSE, MASSIV DIN 3091

Thimbles According to din 3091

- Material: cast mild steel, (GTW 40)
- Standard: according to DIN 3091
- Finish: self coloured
- Certification: a works certificate can be supplied upon request



VARE NR	FOR TAU/ ROPE	A	B	C	D	E	F	100 PCS KG
PART NO	M/M	M/M	M/M	M/M	M/M	M/M	M/M	KG
-	8	9	15	40	66	14	-	18
7512KSD91100	10	11	17.5	50	82	18	-	32
7512KSD91120	12	13	20	60	98	21	-	52
7512KSD91140	14	16	23.5	70	114	25	-	80
7512KSD91160	16	18	26	80	130	28	16	90
7512KSD91180	18	20	28.5	90	145	31	18	121
7512KSD91200	20	22	31	100	161	35	20	161
7512KSD91220	22	24	33.5	110	177	38	22	211



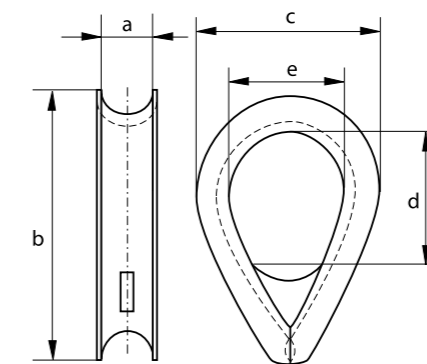
KAUSE, FOR STÅLTAU, PENNANT

Thimbles, Pennant line type

- Material: mild steel
- Finish: hot dipped galvanized produced with a welded fillet plate
- Certification: a works certificate can be supplied upon request



FOR WIRE MM	A MM	B MM	C MM	D MM	E MM	KG
16	17	102	75	50	50	0.4
18	19	114	85	50	53	0.5
20	21	127	100	60	60	0.8
22	23	140	110	60	65	0.9
24	25	152	115	70	70	1
28	30	178	135	75	80	1.7
30	33	203	155	80	100	2.5
36	38	229	175	110	115	4
40	41	254	190	120	120	4.5
44	46	279	210	120	130	7
50	52	305	225	140	140	8.3
56	60	356	240	150	150	12.5
64	70	432	290	185	180	19.5
76	81	483	320	225	220	29
82	92	559	375	280	240	35
90	105	610	410	280	250	42
120	130	660	450	280	280	58





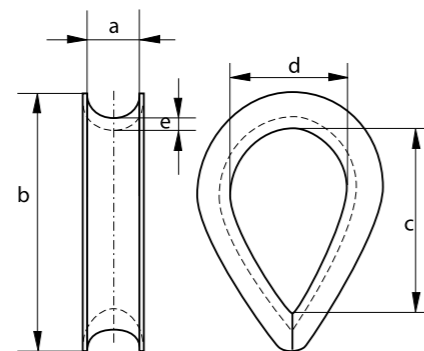
KAUSE, FOR TAU

Thimbles, For rope

- Material: mild steel
- Finish: electro-galvanized
- Certification: a works certificate can be supplied upon request



A	B	C	D	E	
MM	MM	MM	MM	MM	KG
8	43	27	16	1	1.1
10	50	30	19	1.5	1.7
12	55	36	22	1.75	3
14	60	41	24	2	3.5
16	66	43	26	2.5	8
18	77	47	30	3	13
20	91	58	35	3	16
22	100	67	38	3	24
25	115	71	45	3	25
30	140	91	55	3	43
35	140	91	55	3	45
38	140	91	55	4	45



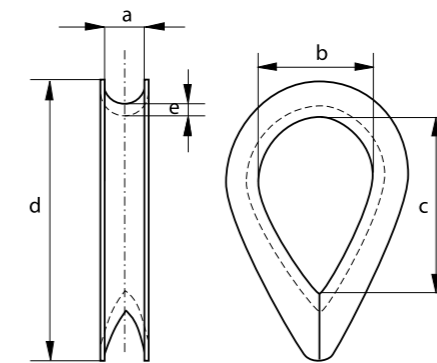
KAUSE, HEAVY TYPE RUSTFRI

Thimbles Heavy type, Stainless

- Material: AISI 316
- Finish: polished



A	B	C	D	E	
MM	MM	MM	MM	MM	KG
2	9	15	23	1	0.2
2.5	9.5	15.7	24	1	0.2
3	10	16	25	1	0.4
4	11	17	28	1	0.5
5	13	20	32	1	0.6
6	16	25	39	1.2	1
7	18	28	40	1.2	1.2
8	20	32	49	1.4	1.8
10	26	40	55	1.9	2.9
12	28	45	70	2	4.6
14	34	56	80	2.2	7.3
16	37	62	85	2.5	9.7
18	42	65	95	2.5	16.5
20	45	78	115	3	21.3
22	50	88	125	3	22.3
24	58	96	135	4	40.5
26	66	105	140	4	49.7



**SNURPERINGER, BOSS SR**

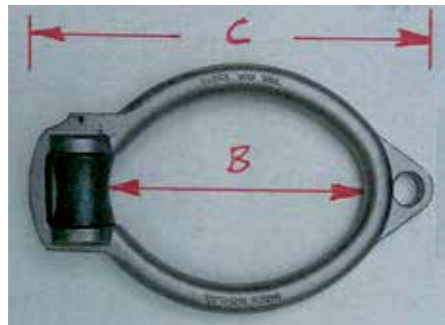
Boss purse rings, Boss SR

Glatt, blank overflate

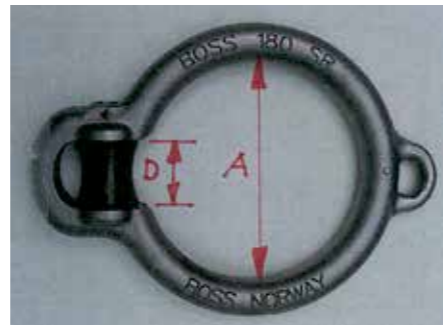
Barrel polished



VARE NR	TYPE	WLL	A	B	C	D	E	F	VEKT
PART NO	TYPE	3 : 1 TONN	M/M	M/M	M/M	M/M	M/M	M/M	WEIGHT KG
7529040	40 SR	1.8	95	80	250	50	48	48	3.9
7529050	50 SR	2.2	115	80	285	50	50	50	4.8
7529080	80 SR	2.8	155	120	334	66	75	48	8.4
7529090	90 SR	3.5	148	100	323	50	40	56	7.8
7529100	100 SR	2.8	190	120	365	50	50	53	8.4
-	-	-	-	-	-	-	-	-	-
MBL									
7529180SRL	180 SRL	20	180	190	370	52	-	30	6.0
7529150SRL	150 SRL	16	140	205	325	52	-	25	3.7



150 SRL



180 SRL

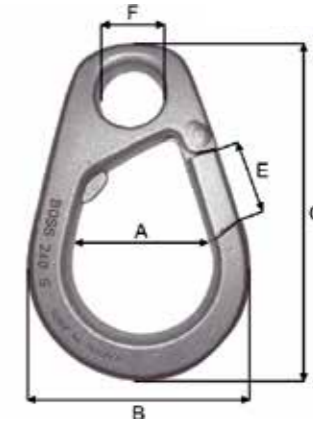
VARE NR	TYPE	WLL	A	B	C	D	E	F	VEKT
PART NO	TYPE	MBL TONN	M/M	M/M	M/M	M/M	M/M	M/M	WEIGHT KG
7529180SRL	180 SRL	20	180	190	370	52	-	30	6.0
7529150SRL	150 SRL	16	140	205	325	52	-	25	3.7

**SNURPERINGER, BOSS SERIE 200**

Purse rings, Boss serie 200

Glatt, blank overflate

Barrel polished



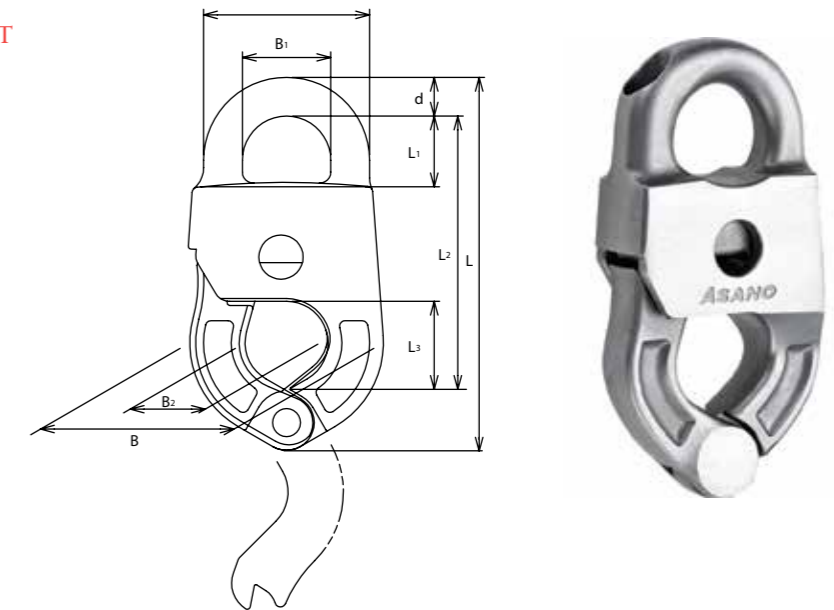
VARE NR	TYPE	WLL	Dim	A	B	C	E	F	VEKT
PART NO	TYPE	3 : 1 TONN	M/M	M/M	M/M	M/M	M/M	M/M	WEIGHT KG
7529220S	220 S	1.0	22	75	130	200	45	39	2.1
7529230S	230 S	1.0	25	95	150	230	50	45	3.0
7529240S	240 S	1.2	30	110	165	260	55	50	4.1
7529250S	250 S	1.3	33	110	170	260	55	52	4.7
7529260S	260 S	2.0	42	110	174	170	55	53	6.1
7529285S	285 S	3.0	50	115	180	275	55	53	8.5

ASANO AUTO SHACKLE TYPE III SIZE L 1,3 T

Asano auto shackle type III size L 1,3 T

Spesielt rustfritt stål

Special stainless steel

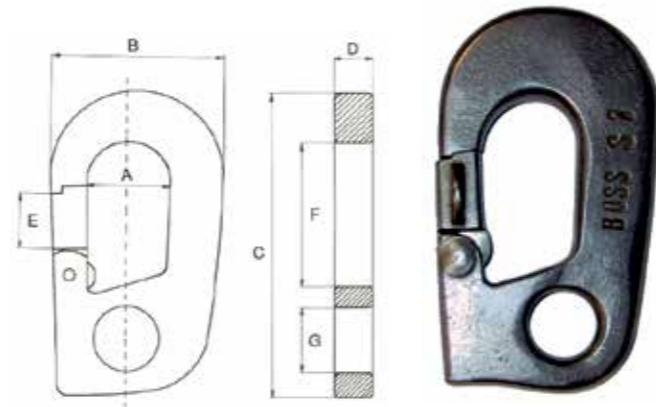


VARE NR	TYPE	WLL	D	L	L1	L2	L3	B	B1	B2	B3	WEIGHT
PART NO	TYPE	TONN	M/M	M/M	M/M	M/M	M/M	M/M	M/M	M/M	M/M	KG
7529ASAK18236	L	1.3	14	139	29	99	32	72	32	30	63	0.86

**KROK, BOSS S**

Hook, Boss S

Glatt, blank overflate
Barrel polished

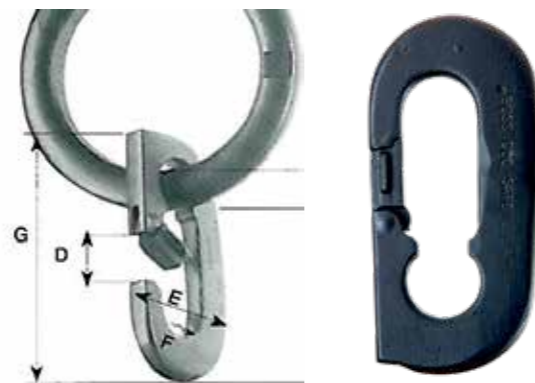


VARE NR PART NO	TYPE	WLL 5 : 1 TONN	BRUDDLAST BREAKING LOAD TONN	A M/M	B M/M	C M/M	D M/M	E M/M	F M/M	G M/M	VEKT WEIGHT KG
7518SKS5	BOSS S5	1.00	5	27	66	111	18	20	49	24	0.50
7518SKS6	BOSS S6	1.25	6	38	77	133	14	26	62	27	0.60
7518SKS7	BOSS S7	2.25	12	36	90	155	20	28	66	26	1.20

KROK, BOSS DUO SAFE

Hook, Boss duo safe

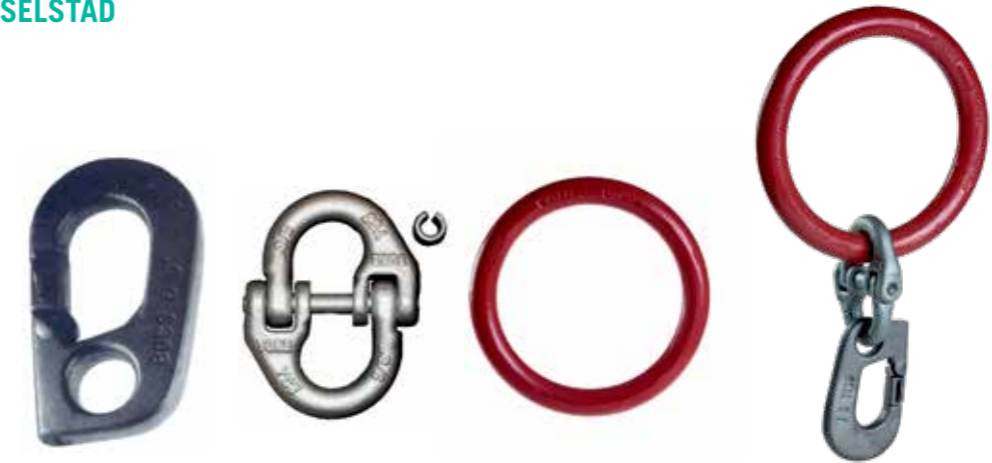
Glatt, blank overflate
Barrel polished



VARE NR PART NO	TYPE	MAX ARBEIDS LAST MAX WORKING LOAD 3 : 1 TONN	D M/M	E M/M	F M/M	G M/M	VEKT WEIGHT KG
7529DS2S	BOSS DUO SAFE 2 S	3.0	30	95	40	190	5.5

SNURPERING, SELSTAD

Purse ring, Selstad



VARENR PART NO	TYPE TYPE	WLL WLL	Ø DIM	A MM	B MM
75299SLR38	RING SELSTAD 1-1/4" X 8" WLL 7.7 T	7.7	8"	30	-
7511YL16	16 MM YOKE KOBLINGSLEDD 16-8	8.0	16mm	-	-
752907S	BOSS 7S	2.25	26mm	36	90

RESERVEDEL, BOSS

Spare parts, Boss



VARE NR PART NO	TYPE SR HJUL / WHEEL
75290401	40 SR
75290801	80 SR
75290901	90 SR
75290402	40/100SR

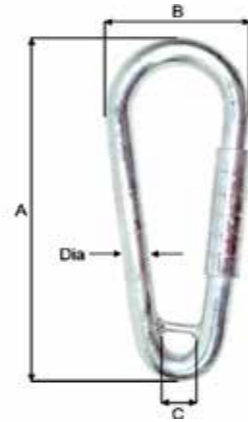
VARE NR PART NO	TYPE AKSLING / SHAFT
75291001	100 SR
75291002	40 SR



**SNURPERINGER, BOSS S TYPE**

Purse rings, Boss S type

Glatt, blank overflate
 Kan låses i åpen posisjon
 Barrel polished
 Can be locked in open position

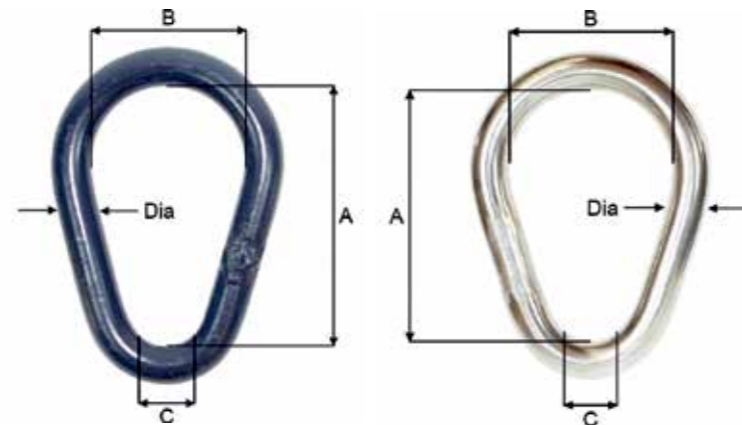


VARE NR PART NO	TYPE	BELATNING WORKING LOAD 3 : 1 TONN	A M/M	B M/M	C M/M	ÅPNING OPENING M/M	VEKT WEIGHT KG
752910S	BOSS 10S	0.8	273	135	34	35	2.1
752913S	BOSS 13S	1.0	303	153	30	29	2.7

PÆRERINGER, STP / SSP

Rings, STP / SSP

Stål,
 Rustfritt *
 Steel,
 Stainless steel *



VARE NR PART NO	TYPE	SWL 5 : 1 TON	DIM Ø SIZE Ø M/M	A M/M	B M/M	C M/M	VEKT WEIGHT KG
75301112	125STP	1.0	12	70	35	15	0.22
75301112P	125STP	0.8	12	125	65	24	0.33
75301019	120STP	3.0	20	120	70	36	0.80
75301022	130STP	4.1	22	130	85	45	1.40
75301122P	130SSP*	4.1	22	130	85	45	1.40
75301025	160STP	5.1	25	160	100	45	2.20
75301125P	160SSP*	5.1	25	160	100	45	2.20

RING OVAL, RUSTFRI

Ring oval, stainless steel



VARE NR PART NO	WLL 5 : 1 TONN	DIA M/M	A M/M	B M/M	VEKT WEIGHT KG
75301122O	4.6	22	120	50	1.10
75301125O	5.8	25	130	50	1.50
7530113015080O	7.5	30	150	80	2.76

RING, SSR RUSTFRITT STÅL

Ring, stainless steel

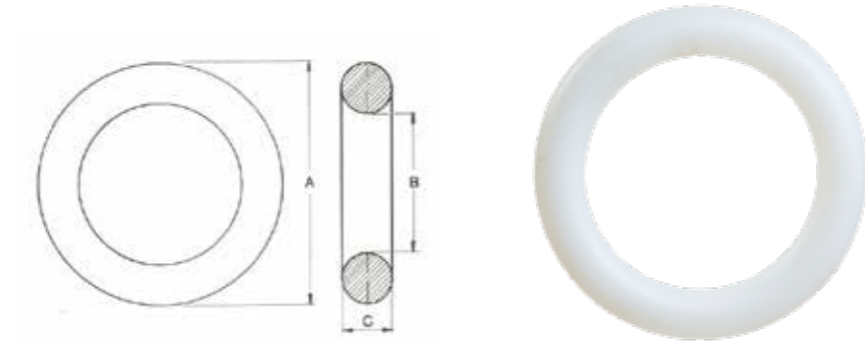


VARE NR PART NO	TYPE TYPE	Ø M/M	D M/M	VEKT WEIGHT KG/100
7530116008	60 SS R	8	60	5.2
7530116010	60 SS R	10	60	6.1
7530116012	60 SS R	12	60	8.8
7530117508	75 SS R	8	75	16.0
7530117510	75 SS R	10	75	18.0
7530117512	75 SS R	12	75	25.0
7530117514	75 SS R	14	75	35.0
7530119006	90 SS R	8	90	13.2
7530119010	90 SS R	10	90	20.0
7530119012	90 SS R	12	90	29.0
7530119014	90 SS R	14	90	42.0
7530119019	90 SS R	19	90	78.0
75301112100	100 SS R	12	100	95.0
753011214	110 SS R	22	110	110.0
75301112525	125 SS R	25	125	200.0



**LØFTERINGER NYLON**

Nylon ring



VARE NR PART NO	LØFTE KAPASITET LIFTING CAPACITY KG	DIAM UTSIDE / OUTSIDE A MM	DIAM INSIDE / OUTSIDE B MM
7513419	300	43	30.5
7513421	400	55	38
7513420	450	48	31.2
7513423	500	80	-
7513422	800	69	44
7513490	1100	89	60
7513491	2000	151	114

BRILLER, TYPE CS19SS3

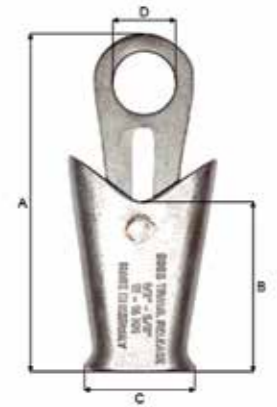
Spectacles, type CS19SS3



VARE NR PART NO	Ø MM	Ø INCH	A MM	B MM	VEKT WEIGHT KG/100
7530CS10	10	3/8"	75	75	54
7530CS12	12	1/2"	75	75	75
7530CS14	14	9/16"	75	75	105
7530CS25	25	1"	110	110	501

**POSELÅS, BOSS**

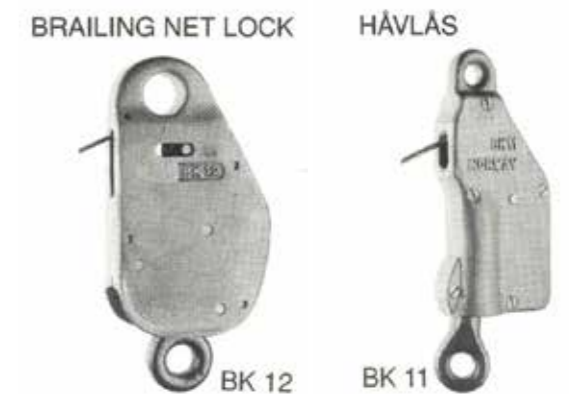
Trawl release, Boss

Glatt, blank overflate
Barrel polished

VARE NR PART NO	DIM SIZE TYPE	A M/M	B M/M	C M/M	D M/M	VEKT WEIGHT KG
75160712	7-12 MM	78	59	29	15	0.4
75161216	12-16 MM	145	98	55	20	1.6
75161220	16-20 MM	167	98	65	24	1.9

HÅVLÅS, BOSS

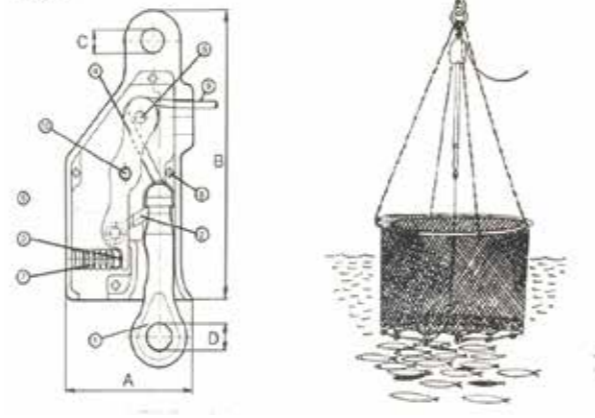
Brailing net lock, Boss

Hus: Messing
Indre deler: Rustfritt stål
Box: Brass
Inner parts: Stainless steel

VARE NR PART NO	DIM SIZE TYPE	SWL KGS	A MM	B MM	C MM	D MM	VEKT WEIGHT KG
7516BK11	BK11	800	106	226	17	20	3.7
7516BK12	BK12	900	163	377	40	29	8.3

**HÅVLÅS, RESERVEDELER TIL BOSS H BK 11**

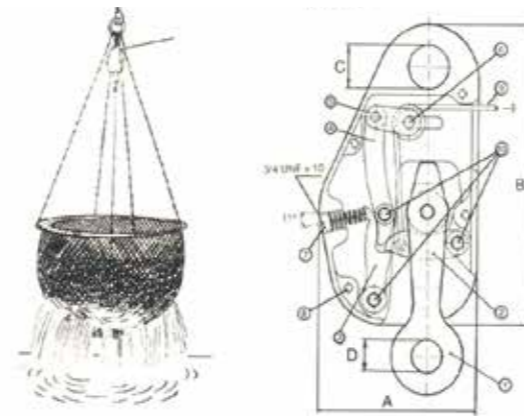
Brailing net lock, spare parts to Boss BK 11



VARE NR PART NO	TYPE	TYPE	BILDE NR PICTURE NO
75160310	UTGLIDER	SLIDER	1
75160311	KOMPL UTLØSERARM	COMPL GLIDER	4
75160312	FJÆR	FEATHER	7
75160313	AKSLING/TAPP	SHAFT/PIN	10
75160314	KASSE SKRUE	BOX SCREW	
75160315	MESSINGHUS	BRASS HOUSING	8

HÅVLÅS, RESERVEDELER TIL BOSS BK 12

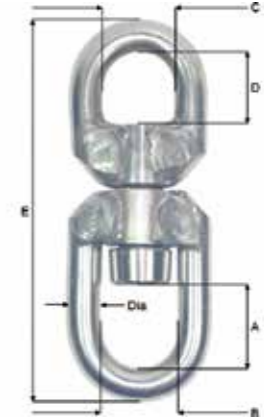
Brailing net lock, spare parts to Boss BK 12



VARE NR PART NO	TYPE	TYPE	BILDE NR PICTURE NO
75160410	UTGLIDER	SLIDER	1
75160411	LÅSESTYKKE	ENDPIECE	2
75160412	FJÆRTRAPP	FEATHER	3
75160413	LÅS/GLIDEARM	LOCK/SLIDER ARM	4
75160414	SETT FJÆR/SKRUE	SETT FEATHER/SCREW	
75160417	SKRUE HUS	SCREW HOUSE	8
75160418	SETT 3 STK AKSLING	SETT 3 PC SHAFT	
75160419	MESSINGHUS	BRASS HOUSING	

**SVIVEL, RUSTFRI STÅL**

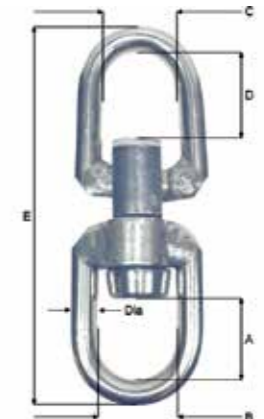
Swivel , stainless steel



VARE NR PART NO	DIM SIZE Ø INCH	DIM SIZE Ø M/M	WLL 5 : 1 TONN	A M/M	B M/M	C M/M	D M/M	E M/M	VEKT WEIGHT KG
7524SS06	1/4"	6	0.17	14	14	14	14	64	0.05
7524SS08	5/16"	8	0.5	19	19	19	19	93	0.14
7524SS10	3/8"	10	1.1	30	28	17	17	102	0.23
7524SS12	1/2"	12	1.6	29	28	27	30	160	0.36
7524SS16	5/8"	16	3.2	43	38	35	47	180	0.89
7524SS19	3/4"	19	4.7	45	39	38	40	205	1.80
7524SS22	7/8"	22	6.3	45	40	40	42	222	2.25
7524SS25	1"	25	8.3	52	50	42	52	278	4.10
7524SS32	1 1/4"	32	12	60	50	50	98	350	8.15
7524SS38	1 1/2"	38	18	72	58	58	112	390	13.00

SVIVEL, RUSTFRI STÅL, FLEX

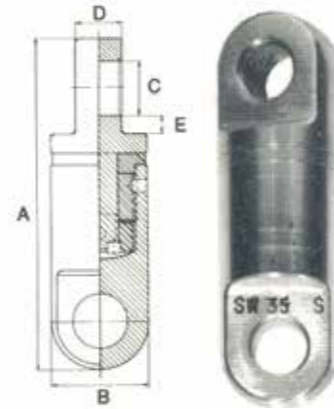
Swivel , stainless steel, flex



VARE NR PART NO	DIM SIZE Ø INCH	DIM SIZE Ø M/M	WLL 5 : 1 TONN	A M/M	B M/M	C M/M	D M/M	E M/M	VEKT WEIGHT KG
7524SSF13	1/2"	13	1.6	30	28	28	34	160	0.56
7524SSF16	5/8"	16	3.2	41	38	37	48	200	1.20
7524SSF19	3/4"	19	4.7	44	40	40	54	235	2.00
7524SSF22	7/8"	22	6.3	44	40	40	55	255	2.90
7524SSF25	1"	25	8.3	55	50	45	70	320	4.70
7524SSF32	1 1/4"	32	12.0	55	55	54	93	360	9.20
7524SSF38	1 1/2"	38	18.0	62	58	60	110	410	14.60
7524SSF45	1 3/4"	45	28.0	75	70	70	115	515	24.0

**SVIVEL, TYPE SW33STIL SW60S**

Swivel, type SW33STIL SW60S

Glatt, blank overflate
Barrel polished

VARE NR PART NO	TYPE	SWL 5 : 1 TONN	A M/M	B M/M	C M/M	D M/M	E M/M	VEKT WEIGHT KG
7524SW33S	SW33S	3	156	52	20	26	15	1.7
7524SW35S	SW35S	5	169	57	25	31	15	2.3
7524SW40S	SW40S	6	211	62	34	31	15	3.0
7524SW60S	SW60S	15	335	105	48	51	32	12.8

SVIVEL, KONISK STÅL A810/12/17

Swivel, tapered roller, steel

Konisk rullelager, smørbar
Tapered roller thrust bearing, greaseable

VARE NR PART NO	WLL 5 : 1 TONN	A M/M	A1 M/M	B M/M	B1 M/M	B2 M/M	B3 M/M	C1 M/M	C2 M/M	D M/M	E M/M	F M/M	G M/M	VEKT WEIGHT KG
7524A810	10	193	165	115	13	11	18	18	43	14	37	20	0	9.0
7524A812	12	200	165	135	17	14	22	23	49	17	40	20	0	9.7
7524A817	17	250	208	150	21	16	25	27	57	20	53	29	0	17.3

SVIVEL, KONISK, STÅL

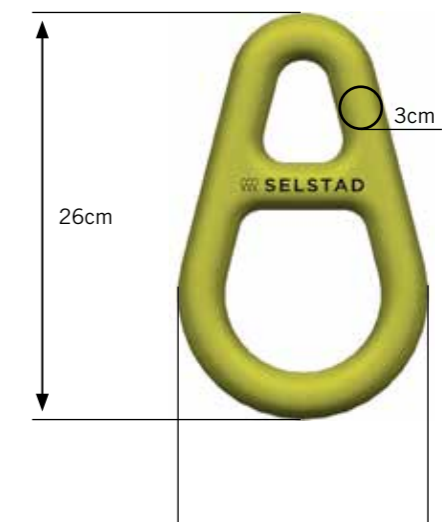
Swivel, tapered roller, steel

Konisk rullelager, smørbar
Tapered roller thrust bearing, greaseable

VARE NR PART NO	TYPE	WLL 5 : 1 TONN	A M/M	B M/M	C M/M	D M/M	E M/M	F M/M	G M/M	VEKT WEIGHT KG
7524A401	A401	1	126	43	16	15	36	18	35	0.60
7524A402	A402	2	157	54	20	20	45	22	45	1.50
7524A403	A403	3	189	65	27	26	55	28	55	2.75
7524A405	A405	5	220	70	33	30	64	33	60	3.90
7524A408	A408	8	250	85	42	34	73	39	75	6.70
7524A412	A412	12	295	95	50	41	86	45	86	10.60
7524A417	A417	17	395	120	57	52	113	55	108	18.50
7524A422	A422	22	435	131	60	52	118	63	118	29.70
7524A432	A432	32	500	160	65	59	132	73	140	45.00

GLIDERING

Ring, plastic

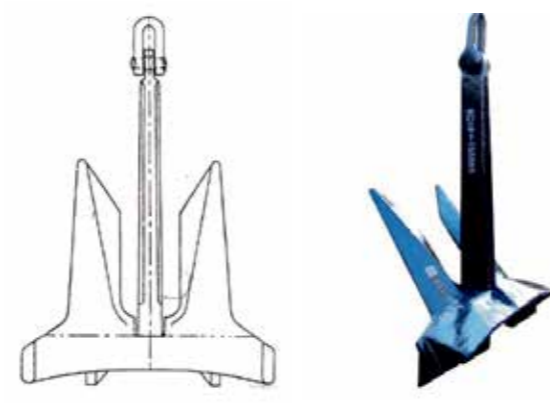


**ANKER AC 14**

Anchor AC 14

Vi leverer fortøyningsanker av alle typer fra 750 til 5000 kg.
We supply mooring anchors of all kinds from 750 to 5000 kg.

VARE NR PART NO	TYPE	VEKT WEIGHT KG
755020AC141000	AC 14	1000
755020AC141000	AC 14	1500
755020AC141500	AC 14	2000
755020AC142000	AC 14	2500
755020AC142500	AC 14	3000
755020AC144000	AC 14	4000
755020AC145000	AC 14	5000

**PLOGANKER**

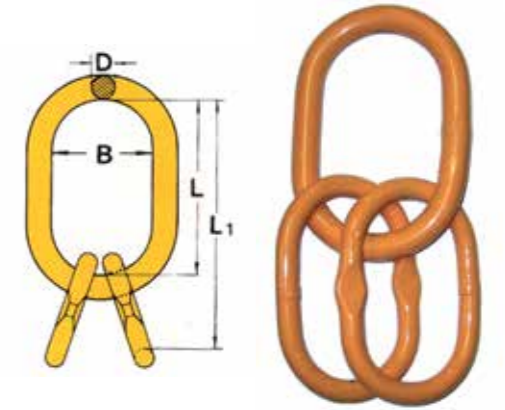
Plow anchor

Vi leverer ploganker 750 kg til 2000 kg.
We supply plow anchors from 750 to 2000 kg

VARE NR PART NO	TYPE	VEKT WEIGHT KG
7550PAS0750	PLOG/PLOUGH	750
7550PAS1000	PLOG/PLOUGH	1000
7550PAS1500	PLOG/PLOUGH	1500
7550PAS2000	PLOG/PLOUGH	2000

**LØFTEHODER, MT**

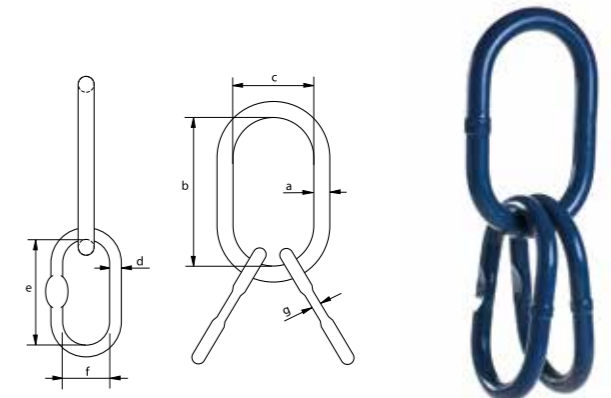
Masterlink assemblies, MT



VARE NR PART NO	TYPE	MAX LAST MAX LOAD TONN	L1 MM	L MM	B MM	D MM	l MM	b MM	d MM	VEKT PR STK I KG WEIGHT/PC KG
7518OT06	OT-6-8	5	260	150	90	19	110	60	14	1.8
7518OT08	OT-8-8	8	300	160	95	22	140	80	17	2.8
7518OT10	OT-10-8	16	360	200	120	30	160	95	22	6
7518OT13	OT-13-8	30	430	250	150	40	180	105	28	13
7518OT16	OT-16-8	40	500	300	200	50	200	110	32	23
7518OT19	OT-19-8	50	560	300	200	55	260	140	38	32
7518OT22	OT-22-8	75	610	350	200	60	260	140	45	44
7518OT26	OT-26-8	100	680	400	250	70	280	160	50	68
7518OT32	OT-32-8	125	680	400	250	80	280	160	55	87

LØFTEHODER

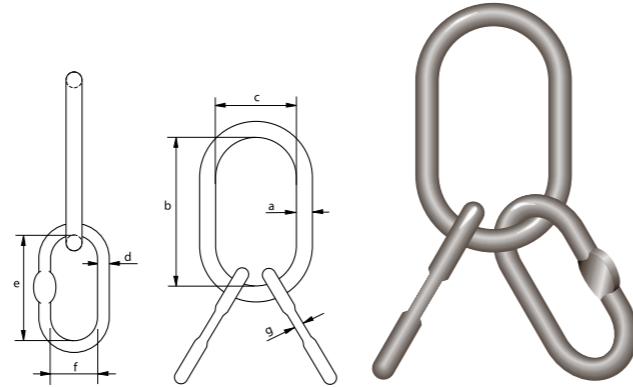
Masterlink assemblies



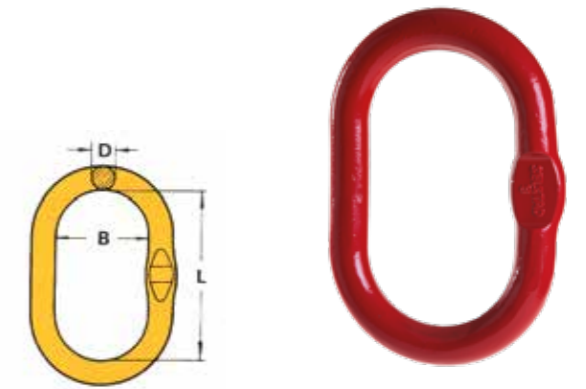
VARE NR PART NO	TYPE TYPE	WLL 5 : 1 TONN	TOPPLØKKE MASTER LINK B-C M/M	BALANSELØKKE INTERMEDIATE M.L. E-F M/M	VEKT WEIGHT KG
7518Q16B	16.B.6	4.1	70x120	51x95	1.2
7518Q20B	20.B.6	6.5	90x170	70x120	2.5
7518Q22B	22.B.6	8.2	90x170	80x150	3.8
7518Q28B	28.B.6	12.9	113.5x209	90x170	6.4
7518Q50B	50.B.6	45.0	200x380	140x270	33.2

**LØFTEHODER****Masterlink assemblies**

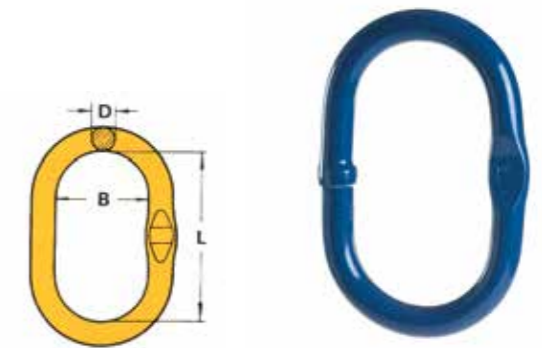
- Material: Grade 8, alloy steel
- Safety factor: MBL equals 4 x WLL
- Standard: generally to EN 1677-4
- Finish: painted yellow or red
- Certification: at no extra charges this product can be supplied with a works certificate and/or EC Declaration. Test certificates can be supplied upon request.
- Note: from 60 t without flat part



WLL T	A MM	B MM	C MM	D MM	E MM	F MM	G MM	WEIGHT KG
2.5	16	120	70	13	100	60	7	1.2
3.5	18	135	75	16	100	60	6	1.8
6.5	22	150	90	18	120	70	9	2.9
8.5	25	170	95	20	120	70	11	3.9
10	28	200	120	20	120	70	11	4.9
13	30	200	120	22	135	75	14	6
17	36	250	150	25	135	75	14	9.6
20	38	250	150	28	170	95	17	12.6
27	45	280	170	33	200	120	17	19.7
30	45	300	200	36	200	120	21	22.5
40	50	300	200	38	150	90	21	24.5
50	55	300	200	38	150	90	23	28
60	58	350	200	42	150	90	-	34.6
80	70	400	250	55	300	150	-	74.7
100	80	400	250	58	300	150	-	92.4

LØFTEØYE, SELSTAD**Masterlink, Selstad**

VARE NR PART NO	GRADE	SWL 4 : 1 TONN	L M/M	B M/M	D M/M	VEKT WEIGHT KG
7518LC08	80	8	160	95	22	1.50
7518LC15	80	15	180	105	28	2.70
7518LC20	80	20	240	140	34	5.10
7518LC30	80	30	250	150	40	8.00

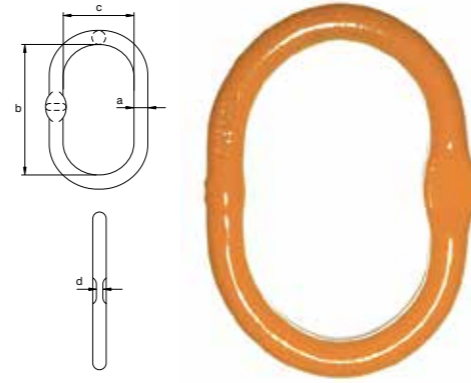
LØFTEØYE**Masterlink**

VARE NR PART NO	TYPE TYPE	WLL 4 . 1 TONN	L M/M	B M/M	D M/M	VEKT WEIGHT KG
7518O13B6	13.B.6	2.7	115	60	13	0.4
7518O16B6	16.B.6	4.1	120	70	16	0.6
7518O20B6	20.B.6	6.7	150	82	20	1.1
7518O22B6	22.B.6	8.2	170	90	22	1.6
7518O25B6	25.B.6	10.7	190	103	25	2.3
7518O28B6	28.B.6	12.9	209	113.5	28	3.2
7518O32B6	32.B.6	17.1	270	140	32	5.3
7518O38B6	38.B.6	28.1	270	140	38	7.5



**LØFTEØYE, EXCEL GRADE 8****Masterlink, Excel® grade 8**

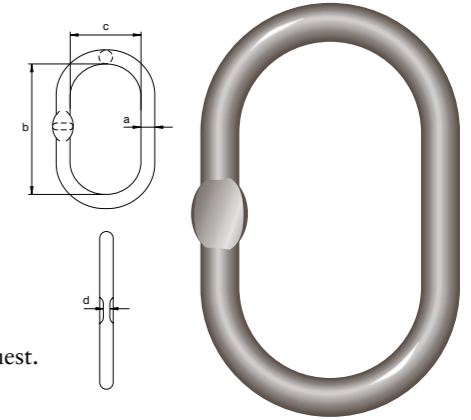
- Material: alloy steel, grade 8, quenched and tempered
- Safety factor: MBL equals 4 x WLL
- Standard: EN 1677-4
- Finish: painted yellow (J) or red (R)
- Certification: at no extra charge this product can be supplied with a works certificate and/or EC Declaration of Conformity
- Note: from 50 t without flat part



TYPE	WLL T	1 LEG		2 LEGS						A	B	C	D	KG
		INCH	MM	$\beta = 30^\circ$		$\beta = 45^\circ$		$\beta = 60^\circ$						
				INCH	MM	INCH	MM	INCH	MM	MM	MM	MM	MM	
MS13J	1.6	7/32-1/4	6-7	-	-	7/32	6	7/32-1/4	6-7	13	100	60	7	0.33
MS16J	3.1	5/16	8	1/4	7	1/4-5/16	7-8	5/16	8	16	120	68	7	0.56
MS18J	4.5	3/8	10	5/16	8	3/8	10	3/8	10	18	135	75	9	0.8
MS20J	6.2	1/2	13	3/8	10	-	-	1/2	13	20	150	90	9	1.11
MS22	8	5/8	16	-	-	1/2	13	5/8	16	22	150	87	11	1.36
MS25J	10.6	3/4	18	1/2	13	-	-	3/4	18	25	167	95	13	1.96
MS28	12	3/4	19	-	-	5/8	16	3/4	19	28	200	120	14	2.92
MS30J	15	3/4-7/8	20-22	5/8	16	3/4	18	3/4-7/8	20-22	30	200	120	17	3.4
MS36J	20	-	-	3/4	18-19	3/4	19-20	-	-	36	250	150	17	6.1
MS38J	25	1	26	3/4	20	7/8	22	1	26	38	246	150	21	6.8
MS44J	30	-	-	7/8	22	1	26	-	-	44	277	170	21	10.8
MS45J	37	1 1/4	32	1	26	-	-	1 1/4	32	45	300	200	24	11.7
MS50J	50	-	-	-	-	1 1/4	32	-	-	50	300	200	-	14.75
MS55J	63	-	-	1 1/4	32	-	-	-	-	55	350	200	-	20
MS70J	100	-	-	-	-	-	-	-	-	70	400	250	-	39
MS80J	125	-	-	-	-	-	-	-	-	80	400	250	-	52

LØFTEØYE**Masterlinks**

- Material: Grade 8, alloy steel
- Safety factor: MBL equals 4 x WLL
- Standard: generally to EN 1677-4
- Finish: painted yellow or red
- Certification: at no extra charges this product can be supplied with a works certificate and/or EC Declaration. Test certificates can be supplied upon request.
- Note: from 50 t without flat part

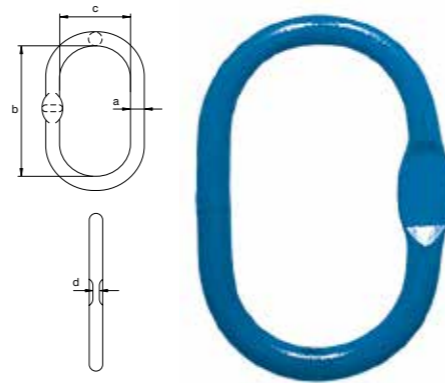


WLL T	A MM	B MM	C MM	D MM	VEKT/WEIGHT KG
1.6	13	100	60	7	0.33
3.2	16	120	70	7	0.56
4.5	18	135	75	9	0.8
6.2	20	150	90	9	1.11
8.2	22	150	90	11	1.36
10.6	25	170	95	13	1.96
12.8	28	200	120	13	2.92
15.5	30	200	120	17	3.4
20	36	250	150	17	6.1
25	38	250	150	21	6.8
30	44	280	170	21	10.8
37	45	300	200	23	11.7
50	50	300	200	-	14.75
63	55	350	200	-	20
100	70	400	250	-	39
125	80	400	250	-	52

**LØFTEØYE, EXCEL GRADE 10**

Masterlink, Excel® grade 10

- Material: alloy steel, grade 10, quenched and tempered
- Safety factor: MBL equals 4 x WLL
- Finish: painted blue
- Certification: at no extra charge this product can be supplied with a works certificate, and/or EC Declaration of Conformity

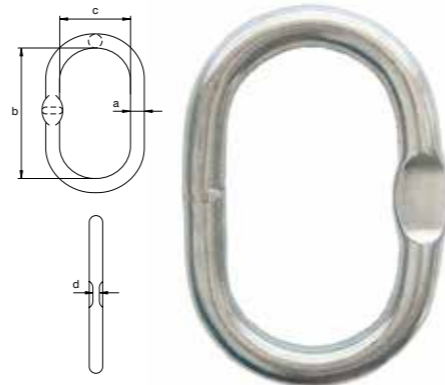


TYPE	WLL T	1 LEG		2 LEGS						A	B	C	D	KG
		INCH	MM	$\beta = 30^\circ$	$\beta = 45^\circ$	$\beta = 60^\circ$	INCH	MM	INCH					
UMS13	2	7/32	6	-	-	7/32	6	7/32	6	13	98	60	7	0.33
UMS16	3.2	5/16	8	7/32	6	-	-	5/16	8	16	119	70	7	0.56
UMS18	5.4	3/8	10	5/16	8	5/16	8	3/8	10	18	130	75	8	0.8
UMS22	8.2	1/2	13	3/8	10	3/8	10	1/2	13	22	168	90	11	1.47
UMS25	11.2	5/8	16	-	-	1/2	13	5/8	16	25	190	102	13	2.34
UMS30	16	3/4	18- 20	-	-	5/8	16	3/4	18- 20	30	234	125	17	3.82

LØFTEØYE, EXCEL RUSTFRI

Masterlink, Excel® stainless steel

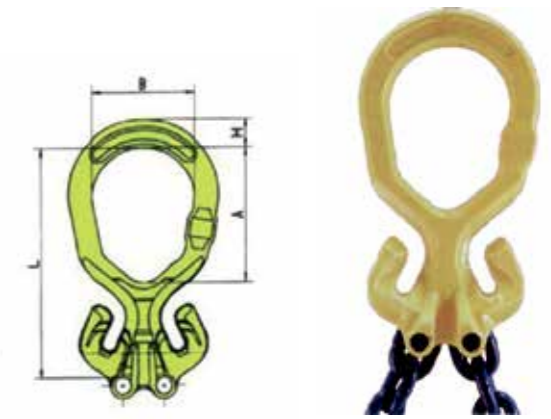
- Material: AISI 316L
- Safety factor: MBL equals 4 x WLL
- Finish: polished
- Certification: at no extra charge this product can be supplied with a works certificate and/or EC Declaration of Conformity



TYPE	WLL T	1 Leg		2 Legs				A	B	C	D	KG
		INCH	MM	$\beta = 45^\circ$	$\beta = 60^\circ$	INCH	MM					
MS13I	0.75	7/32	6	-	-	7/32	6	13	110	60	6	0.34
MS16I	1.25	5/16	8	7/32	6	5/16	8	16	110	60	6	0.53
MS18I	2	3/8	10	5/16	8	3/8	10	18	135	75	8	0.82
MS22I	3.2	1/2	13	3/8	10	1/2	13	22	160	89	10	1.45
MS26I	5	5/8	16	1/2	13	5/8	16	26	179	99	14	2.29

**LØFTEØYE, GRABIQ MGD 2-PART**

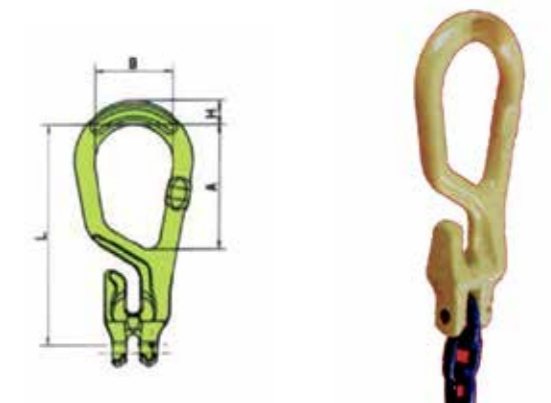
Lifting eye, Grabiq MGD two parts



VARE NR PART NO	TYPE TYPE	WLL 4 . 1 TONN	L M/M	A M/M	B M/M	H M/M	VEKT WEIGHT KG
7518MGD088G	MGD 8-10+	3.5	171	100	75	21	1.3
7518MGD108G	MGD 10-10+	5.6	211	124	90	24	2.3
7518MGD138G	MGD 13-10+	9.1	263	149	105	31	5.2
7518MGD168G	MGD 16-10+	14.0	310	175	120	35	7.9

LØFTEØYE, GRABIQ MG 1-PART

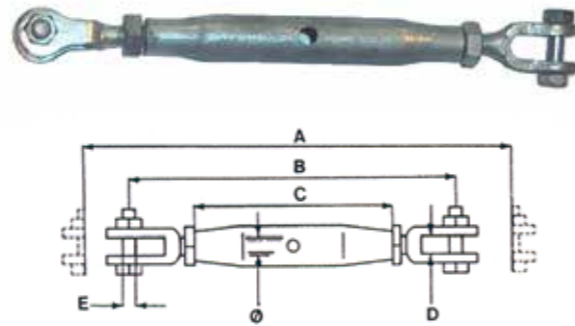
Lifting eye, Grabiq MG one part



VARE NR PART NO	TYPE TYPE	WLL 4 . 1 TONN	L M/M	A M/M	B M/M	H M/M	VEKT WEIGHT KG
7518MG088G	MG 8-10+	2.5	171	92	60	18	0.9
7518MG108G	MG 10-10+	4.0	211	113	75	22	1.8
7518MG138G	MG 13-10+	6.5	261	138	90	26	3.5

**STREKKFISK, GALVANISERT**

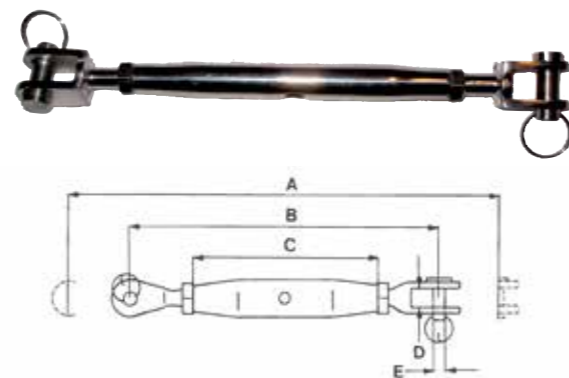
Rigging screw, galvanized



VARE NR	DIM	WLL						VEKT
PART NO	SIZE	5 : 1	A	B	C	D	E	WEIGHT
	TOMMER/INCH	KG	M/M	M/M	M/M	M/M	M/M	KG
7522SG06	1/4"	200	225	160	100	7	5	0.10
7522SG08	5/16"	320	260	182	110	9	6	0.18
7522SG10	3/8"	520	295	205	125	10	8	0.28
7522SG12	1/2"	700	465	315	195	13	10	0.66
7522SG16	5/8"	1200	550	380	230	17	12	1.26
7522SG20	3/4"	1500	670	460	270	20	16	2.20
7522SG22	7/8"	2000	745	515	295	25	20	3.25
7522SG25	1"	3200	820	565	325	28	22	4.60
7522SG32	1 1/4"	4800	975	685	370	38	28	8.50
7522SG38	1 1/2"	6000	1070	750	400	45	32	14.50

STREKKFISK, RUSTFRI

Rigging screw, Stainless steel



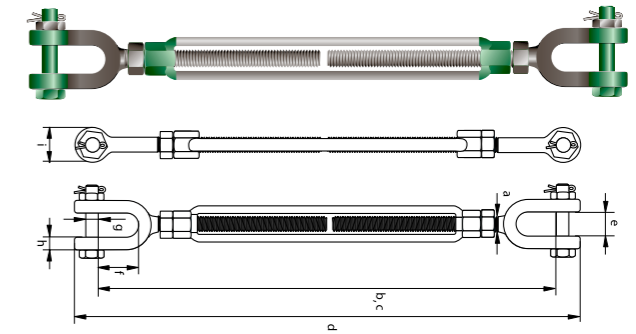
VARE NR	DIM	WLL						VEKT
PART NO	SIZE	5 : 1	A	B	C	D	E	WEIGHT
	M/M	KG	M/M	M/M	M/M	M/M	M/M	KG
7522SR05	5	180	190	130	80	7	5	0.051
7522SR06	6	250	210	140	90	7	5	0.090
7522SR08	8	350	240	165	110	8	6	0.140
7522SR10	10	700	270	190	120	10	8	0.240
7522SR12	12	1020	360	245	150	14	12	0.525
7522SR14	14	1180	400	270	170	14	12	0.635
7522SR16	16	1600	450	310	190	22	14	1.000

**STREKKFISK POLAR SJAKKEL-SJAKKEL GP
BOLT MUTTER ETTER ASTM F1145-92**

Green pin® polar turnbuckles JAW-JAW

With safety bolt

Generally to ASTM F1145-92

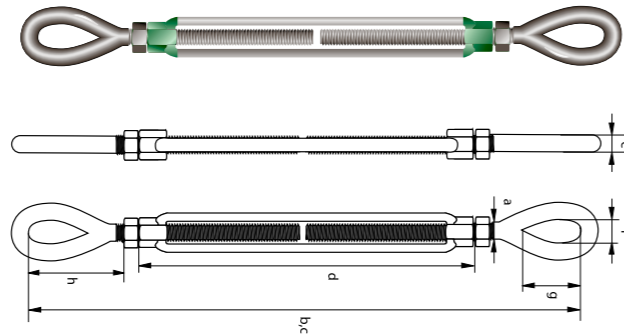


- Material: drop forged alloy steel, Grade 8, quenched and tempered
- Safety factor: MBL equals 5 x WLL
- Standard: generally to ASTM F1145-92 formerly U.S. Federal Specification FF-T-791b
- Finish: hot dipped galvanized
- Temperature Range: -40°C up to +200°C
- Certification: a works certificate, proof load test certificate and/or EC Declaration of Conformity can be supplied upon request

WLL	A	TAKE UP	CLOSED B	OPEN C	CLOSED D	JAW E	F	G	I	VEKT/WEIGHT
T	INCH	INCH	MM	MM	MM	MM	MM	MM	MM	KG
1	1/2	12	455	739	494	16	26	10	26	1.50
1.59	5/8	12	496	773	556	18	32	13	33	2.56
2.36	3/4	18	671	1095	740	24	38	16	41	3.65
3.27	7/8	18	712	1131	789	27	42	19	48	5.95
4.54	1	18	750	1164	835	30	50	22	55	8.4
6.9	1 1/4	18	793	1218	900	44	71	29	68	13.6
9.71	1 1/2	18	825	1244	956	52	71	35	80	19.3
12.7	1 3/4	18	933	1310	1095	59	86	42	90	25

**STREKKFISK ØYE-ØYE GP ETTER
ASTM F1145-92**Turnbuckles Green pin® EYE - EYE
Generally to ASTM F1145-92

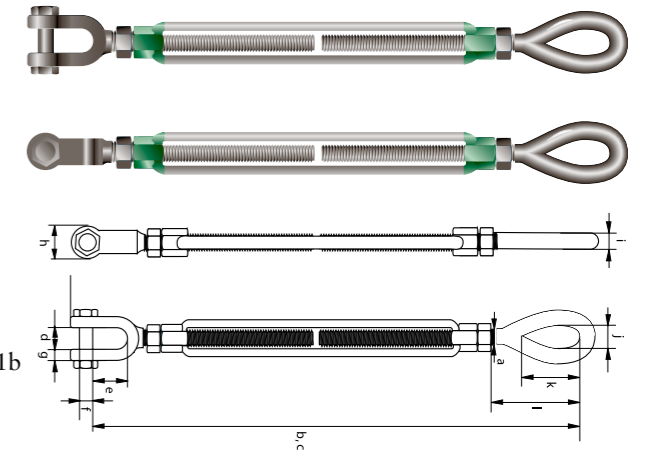
- Material: drop forged high tensile steel SAE 1035 or 1045
- Safety factor: MBL equals 5 x WLL
- Standard: generally to ASTM F1145-92 formerly U.S. Federal Specification FF-T-791b
- Finish: hot dipped galvanized
- Certification: a works certificate, proof load test certificate and/or EC Declaration of Conformity can be supplied upon request



WLL	TAKE	CLOSED	OPEN	CLOSED	VEKT/ WEIGHT					
T	A INCH	UP INCH	B MM	C MM	D MM	E MM	F MM	G MM	H MM	KG
0.54	3/8	6	292	428	183	10	13	29	49	0.47
1	1/2	6	325	455	193	12	18	36	58	0.84
1	1/2	9	400	607	269	12	18	36	57	1.05
1	1/2	12	476	760	346	12	18	36	57	1.26
1.59	5/8	6	381	503	203	14	21	44	79	1.35
1.59	5/8	9	455	655	279	14	21	44	78	1.60
1.59	5/8	12	531	808	356	14	21	44	78	1.92
2.36	3/4	6	414	532	213	17	25	54	90	2.03
2.36	3/4	9	488	684	289	17	25	54	89	2.49
2.36	3/4	12	564	837	366	17	25	54	89	2.65
2.36	3/4	18	717	1142	518	17	25	54	89	3.06
3.27	7/8	12	601	869	376	20	32	61	100	3.98
3.27	7/8	18	754	1174	528	20	32	61	101	5.12
4.54	1	6	497	604	233	24	36	75	118	4.35
4.54	1	12	647	909	386	24	36	75	117	5.92
4.54	1	18	800	1214	538	24	36	75	117	7.17
4.54	1	24	950	1517	690	24	36	75	116	7.52
6.9	1 1/4	12	711	984	385	30	46	90	145	9.8
6.9	1 1/4	18	861	1286	537	30	46	90	144	11.31
6.9	1 1/4	24	1014	1590	689	30	46	90	144	12.1
9.71	1 1/2	12	756	1023	401	32	54	105	156	14.2
9.71	1 1/2	18	916	1335	553	32	54	105	160	16.5
9.71	1 1/2	24	1065	1635	705	32	54	105	158	17.1
12.7	1 3/4	18	1019	1396	577	38	60	119	197	23.1
12.7	1 3/4	24	1171	1701	729	38	60	119	196	26.3
16.8	2	24	1264	1783	746	46	69	147	231	40.7
27.2	2 1/2	24	1429	1965	800	51	80	165	274	64
34	2 3/4	24	1503	2038	800	57	84	178	311	88

**STREKKFISK ØYE-KROK GP ETTER ASTM
F1145-92**Turnbuckles Green pin® EYE - JAW
Generally to ASTM F1145-92

- Material: drop forged high tensile steel SAE 1035 or 1045
- Safety factor: MBL equals 5 x WLL
- Standard: generally to ASTM F1145-92 formerly U.S. Federal Specification FF-T-791b
- Finish: hot dipped galvanized
- Certification: a works certificate, proof load test certificate and/or EC Declaration of Conformity can be supplied upon request
- Note: jaw ends up to and including 5/8" are fitted with bolts and nuts, sizes 3/4" and up are equipped with pins and cotters.

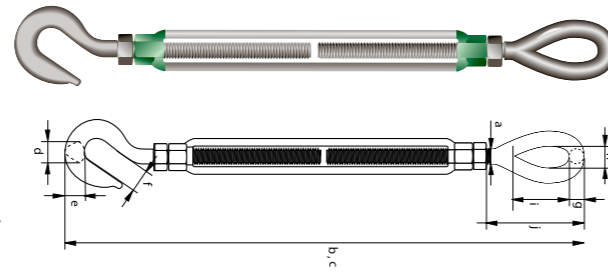


WLL	TAKE	CLOSED	OPEN	JAW	INSIDE	PIN	EYE	INSIDE	VEKT/ WEIGHT	
T	A INCH	UP INCH	B MM	C MM	D MM	E MM	F MM	I MM	J MM	KG
0.54	3/8	6	283	418	12	21	8	10	13	0.51
1	1/2	6	315	445	16	26	10	12	18	0.89
1	1/2	9	389	597	16	26	10	12	18	1.10
1	1/2	12	465	749	16	26	10	12	18	1.31
1.59	5/8	6	363	486	18	32	13	14	21	1.58
1.59	5/8	9	438	638	18	32	13	14	21	1.84
1.59	5/8	12	514	790	18	32	13	14	21	2.22
2.36	3/4	6	391	509	24	38	16	17	25	2.34
2.36	3/4	9	465	661	24	38	16	17	25	2.72
2.36	3/4	12	541	814	24	38	16	17	25	2.95
2.36	3/4	18	694	1118	24	38	16	17	25	3.30
3.27	7/8	12	580	847	27	42	19	20	32	4.35
3.27	7/8	18	733	1152	27	42	19	20	32	5.46
4.54	1	6	472	579	30	50	22	24	36	4.66
4.54	1	12	623	884	30	50	22	24	36	6.35
4.54	1	18	775	1189	30	50	22	24	36	7.98
4.54	1	24	926	1493	30	50	22	24	36	8.39
6.9	1 1/4	12	676	949	44	71	29	30	46	10.92
6.9	1 1/4	18	832	1257	44	71	29	30	46	11
6.9	1 1/4	24	988	1564	44	71	29	30	46	12.9
9.71	1 1/2	12	716	982	52	71	35	32	54	13.1
9.71	1 1/2	18	871	1289	52	71	35	32	54	14.7
9.71	1 1/2	24	1022	1593	52	71	35	32	54	17.8
12.7	1 3/4	18	980	1356	59	86	42	38	60	22.3
12.7	1 3/4	24	1131	1661	59	86	42	38	60	27.5
16.8	2	24	1208	1728	63	93	51	46	69	42.9
27.2	2 1/2	24	1341	1866	75	114	57	51	80	68
34	2 3/4	24	1404	1923	90	110	70	57	84	91

**STREKKFISK ØYE-KROK GP ETTER ASTM F1145-92**

Turnbuckles Green pin® EYE - HOOK
Generally to ASTM F1145-92

- Material: drop forged high tensile steel SAE 1035 or 1045
- Safety factor: MBL equals 5 x WLL
- Standard: generally to ASTM F1145-92 formerly U.S. Federal Specification FF-T-791b
- Finish: hot dipped galvanized
- Certification: a works certificate, proof load test certificate and/or EC Declaration of Conformity can be supplied upon request

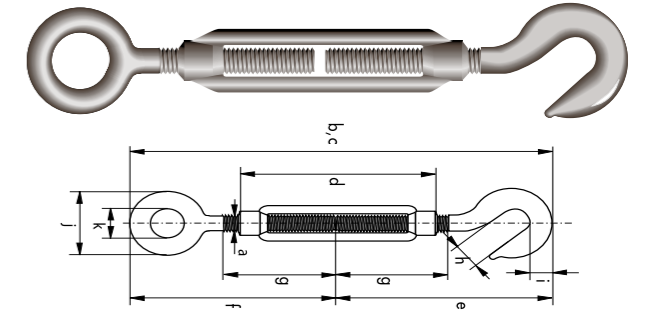


WLL	A	TAKE UP	CLOSED	OPEN	HOOK	HOOK	HOOK	EYE	VEKT/WEIGHT
T	INCH	INCH	MM	MM	MM	MM	MM	MM	KG
0.45	3/8	6	286	422	10	15	14	13	0.47
0.68	1/2	6	318	448	13	19	16	18	0.82
0.68	1/2	9	392	600	13	19	16	18	1.06
0.68	1/2	12	469	752	13	19	16	18	1.28
1.02	5/8	6	369	491	16	23	21	21	1.31
1.02	5/8	9	443	644	16	23	21	21	1.56
1.02	5/8	12	520	796	16	23	21	21	1.71
1.36	3/4	6	403	522	20	27	24	25	2.04
1.36	3/4	9	477	674	20	27	24	25	4.49
1.36	3/4	12	554	826	20	27	24	25	2.3
1.36	3/4	18	706	1131	20	27	24	25	2.85
1.81	7/8	12	590	858	24	31	28	32	3.33
1.81	7/8	18	744	1163	24	31	28	32	4.24
2.27	1	6	488	595	26	35	31	36	3.87
2.27	1	12	636	897	26	35	31	36	5.09
2.27	1	18	789	1202	26	35	31	36	6
2.27	1	24	939	1506	26	35	31	36	7.52
2.95	1 1/4	12	697	968	31	38	37	46	8.12
2.95	1 1/4	18	848	1271	31	38	37	46	10.4
2.95	1 1/4	24	1000	1575	31	38	37	46	12.1
3.4	1 1/2	12	760	1014	34	45	45	54	12.7
3.4	1 1/2	18	913	1320	34	45	45	54	15.1
3.4	1 1/2	24	1063	1623	34	45	45	54	17.1

STREKKFISK-RIGGING ÅPENT

Rigging screws, open body
Hook - Eye

- Material: AISI 316
- Finish: polished

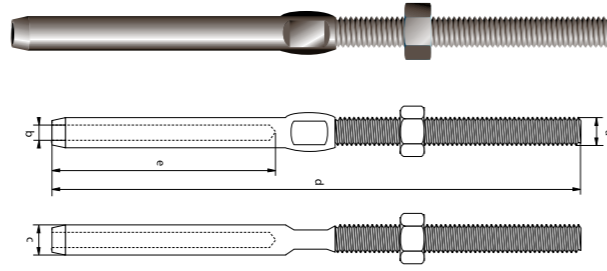


THREAD	CLOSED	OPEN	BODY				HOOK		EYE	EYE	VEKT/WEIGHT
A	B	C	D	E	F	G	H	I	J	K	KG
MM	MM	MM	MM	MM	MM	MM	MM	MM	MM	MM	
M 5	120	170	70	58	56	33	8	5	17	8	0.04
M 6	150	210	90	73	71	43	9	6	21	10	0.08
M 8	200	290	120	98	95	56	11	8	28	14	0.16
M 10	240	355	150	117	118	71	12	9	34	16	0.27
M 12	310	470	200	157	154	95	14	11	40	18	0.51
M 16	390	590	250	186	190	116	16	15	54	26	1.2
M 20	440	675	300	214	220	139	18	19	64	30	1.9

**TERMINALER MED GJENGER**

Threaded terminals
Swage type

- Material: AISI 316
- Finish: polished



DIAMETER WIRE ROPE	THREAD	DIAMETER INSIDE	DIAMETER OUTSIDE	LENGTH	LENGTH INSIDE	WEIGHT PER 100 PCS
MM	A MM	B MM	C MM	D MM	E MM	KG
3	M 6	3.3	6.3	100	39	2.7
4	M 8	4.3	7.5	117	45	5.4
5	M 10	5.3	9	130	51	7.8
6	M 12	6.3	12	162	64	15.1
8	M 16	8.3	16	195	76	23.2
10	M 20	10.3	18	230	89	59

SPENNBJØRN FOR KJETTING

Loadbinders for chain

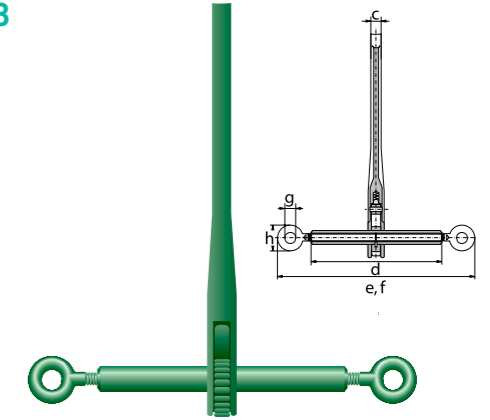


VARE NR PART NO	DIMENSJON SIZE MM	BRUDDSTYRKE BREAKING STRENGTH TONN	FOR KJETTING CHAIN MM
75090810SB	8 - 10 MM		8 - 10
75090813SB	10 - 13 MM	15	10 - 13
75090816SB	13 - 16 MM	20	13 - 16

LASTESTRAMMER GP UTEN KROKER ETTER EN 12195-3

Loadbinders Green pin® ratchet type
Without hooks, according to EN 12195-3

- Material: drop forged, Grade 8, quenched and tempered
- Safety factor: MBL equals 2 x Lashing Capacity
- Standard: EN 12195-3
- Finish: painted red
- Certification: test certificates can be supplied upon request
- Note: Stf = 3000 daN

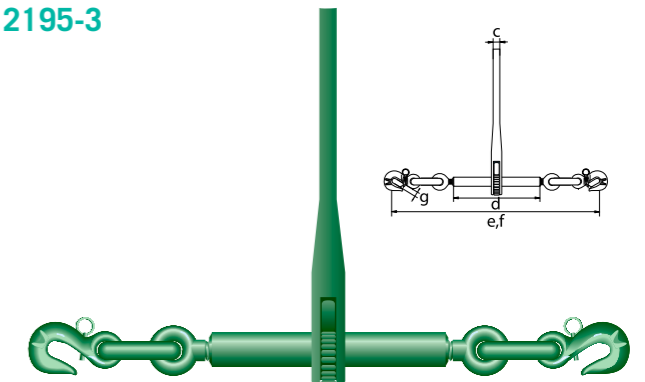


CHAIN SIZE	THICK- NESS	LENGTH				DIA EYE INSIDE	DIA EYE OUTSIDE	LASHING CAPACITY	PROOF LOAD	MINIMUM BREAKING LOAD	VEKT/ WEIGHT
MM	C MM	D MM	E MM	F MM	G MM	H MM	T	T	T	KG	
8	14	255	538	374	18	50	4	5	8	3.3	
10	14	255	546	381	20	55	6.3	7.9	12.6	3.4	
13	14	260	589	419	25	66	10	12.5	21.2	4	
16	14	260	579	419	30	71	16	20	32.2	4.1	

LASTESTRAMMER GP MED KROKER ETTER EN 12195-3

Loadbinders Green pin® ratchet type
With hooks, according to EN 12195-3

- Material: drop forged, Grade 8, quenched and tempered
- Safety factor: MBL equals 2 x Lashing Capacity
- Standard: EN 12195-3
- Finish: painted red
- Certification: test certificates can be supplied upon request
- Note: Stf = 3000 daN



CHAIN SIZE	THICKNESS	LENGTH				WIDTH	LASHING CAPACITY	PROOF LOAD	MINIMUM BREAKING LOAD	VEKT/ WEIGHT
MM	C MM	D MM	E MM	F MM	G MM	T	T	T	KG	
8	14	255	754	590	11	4	5	8	4.5	
10	14	255	775	610	12	6.3	7.9	12.6	5.4	
13	14	260	870	700	15	10	12.5	21.2	7.7	
16	14	260	896	736	19	16	20	32.2	10.2	



VERKTØY

RUNDSLING S. 176

BÅNDSTROPP S. 176

TAPE, HAMMER, SPETT OG MÅLEBAND S. 178

MÅLESTOKK S. 179

KNIVER S. 180

MERLESPIKER S. 182

WIRESAKS OG DORSETT S. 183

SPLISESTIKKE, KOSTER OG KUTTSKIVER S. 185

MASKEVIDDEMÅL, TUSJ, FISKEKURV OG NOTKLO S. 184

BØTENÅLER S. 186



RUNDSLING

Slings of polyester

Andre dimensjoner og styrker på forespørsel.
Spesial konstruerte stropper og slingser etter kundens ønsker.

Other dimensions and strength on request.
Specially designed straps and slings according to your request.



FARGE COLOUR	FRA LENGDE FROM LENGTH MTR	TIL LENGDE TO LENGTH MTR	WLL 7:1 TONN
FIOLETT / PURPLE	1	12	1
GRØNN / GREEN	1	12	2
GUL / YELLOW	1	16	3
RØD / RED	1	16	5
BLÅ / BLUE	1	16	8
ORANGE / ORANGE	1	20	10
ORANGE / ORANGE	4	20	15
ORANGE / ORANGE	4	20	20
ORANGE / ORANGE	4	20	25
ORANGE / ORANGE	4	20	30

BÅNDSTROPP

Webbing strap

Andre dimensjoner og styrker på forespørsel.
Spesial konstruerte stropper og slingser etter kundens ønsker.

Other dimensions and strength on request.
Specially designed straps and slings according to your request.



FARGE COLOUR	FRA LENGDE FROM LENGTH MTR	TIL LENGDE TO LENGTH MTR	WLL 7:1 TONN
FIOLETT / PURPLE	1	10	1
GRØNN / GREEN	1	14	2
GUL / YELLOW	1	14	3
RØD / RED	1	14	5
BLÅ / BLUE	1	12	8
ORANGE / ORANGE	1	12	10



HÅNDSPENNER MED KROK

Cargo straps with hook



VARE NR PART NO	TYPE	DIM BREDDE SIZE WIDTH CM	DIM LENGDE SIZE LENGTH METER	BRUDD STYRKE BREAKING STRENGTH KG
7540HS0595	LORRY-K10	5	0.5+9.5	4000
7540HS0595R	RUSTFRI	5	0.5+9.5	3000
7540HS059510		5	0.5+9.5	5000
7540HS0555		5	0.5+5.5	2000

**TAPE**

Tape

VARE NR	BREDDE	LENGDE	STK/ ESKE	FARGE	
PART NO	WIDTH	LENGTH	PC/ BOX	COLOUR	
	MM	MM	STK		
803009	19X25	19	25	-	BLACK
803010	25X33	25	33	36	WHITE
803011	15X10	15	10	18	RED

**HAMMER / SLEGGE / ISKLUBBE**

Maul / sledgehammer / ice mallet

VARE NR	STR	
PART NO	SIZE	
	KG	
8040HMK1	1 KGS SLEGGE	1
8040HMK15	1.5 KGS SLEGGE	1.5
8040HMK5	5 KGS SLEGGE	5
8037IK	2 KGS IS KLUBBE	2

**SPETT**

Crow bar

VARE NR	STR	VEKT
PART NO	SIZE	WEIGHT
8040HB15	1.5 M	6.3 KG

**MÅLEBÅND**

Measure tape

VARE NR	TYPE	LENGDE
PART NO	TYPE	LENGTH
		M
8040HM30	HM30	30
8040HM50	HM50	50

**MÅLESTOKK**

Meter

VARENR	TYPE	LENGDE
PART NO	TYPE	LENGTH
		M
8038P	PLAST/PLASTIC	1
8038T	TRE/WOOD	1



**KNIVER**

Knife

VARE NR PART NO	TYPE	FARGE COLOUR
8036014	HK51233	-
803602	HK50433	FARGET/ COLOUR
8036013	HK51333	SORT/BLACK
803603	HK39050	RØD/RED

HK50433



HK51333



HK51233M



HK39050

**KNIVER MORA OUTDOOR**

Knife Outdoor

**KNIVER COMPANION F SERRATED**

Knife Companion F Serrated

**KNIVER MORA ALLROUND**

Knife Allround

**KNIVER MORA FLOATING SERRATED**

Knife Floating Serrated



VARE NR PART NO	TYPE	BLAD BLADE	FARGE COLOUR
803621	MORAKNIV OUTDOOR 2000	RUSTFRI/STAINLESS	GREEN/BLACK
80363886115D	COMPANION F SERRATED	MED SAG/ WITH SAW	ORANGE/BLACK
803600	MORAKNIV ALLROUND	RUSTFRI/STAINLESS	BLUE/BLACK
80363886115DF	FLOATING KNIFE	RUSTFRI/STAINLESS	ORANGE/NATURAL

FILETKNIV FROST

Knife

VARE NR PART NO	TYPE	FARGE COLOUR
803609	7154	SORT/BLACK
803607	7124	SORT/BLACK
803609	9154	SORT/BLACK
803607	9124	SORT/BLACK



Frost 7154



Frost 7124

KNIVSLIRE

Knife sheath

VARE NR PART NO	TYPE
803602SP	PLAST / PLASTIC

**KNIVSLIPER**

Knife sharpener

VARE NR PART NO	TYPE
803605V	ACCUSHARP

**BRYNE**

Knife sharpener

VARE NR PART NO	TYPE	LENGD LENGTH	BREDDE WIDTH	HØYDE HEIGHT
803670	DIV 715	150	50	25



**KNIVSTÅL**

Sharpening steel

VARE NR	TYPE
PART NO	TYPE
803604	HKS12

**ELEKTRISK KNIV**

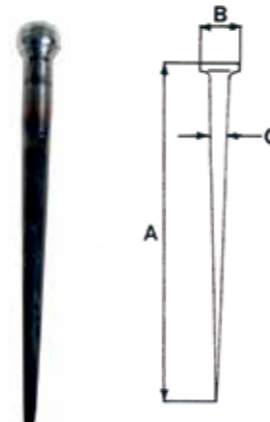
Electric knife

VARE NR	TYPE
PART NO	TYPE
803681	EL KNIV/EL KNIFE
803682	SKJÆREHODE/CUTTER HEAD

**MERLESPIKER FOR WIRE**

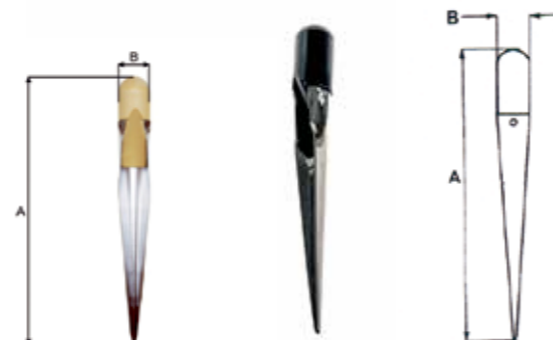
Marline spike for wire

VARE NR	TYPE	A	A	B	C	WEIGHT
PART NO		TOMMER	MM	MM	MM	KG
		INCH				
75101710	EM260CH	10"	260	28	16	0.24
75101712	EM310CH	12"	310	38	25	0.37
75101714	EM350CH	14"	350	38	25	0.81
75101718	EM450CH	18"	450	43	28	1.21
75101720	EM510CH	20"	510	43	28	1.39
75101724	EM610CH	24"	610	43	28	1.88
75101728	EM700CH	28"	700	43	28	2.30
75101735	EM900CH	36"	900	43	28	3.38

**MERLESPIKER FOR TAU**

Marline spike for rope

VARE NR	TYPE	A	B
PART NO		MM	MM
75101701	EM305SS	305	33
75101702	EM385SS	385	43
75101070	EM170SS	160	23
751017005	EM280SS	280	32

**WIRESAKS**

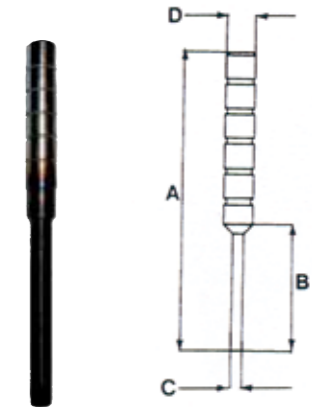
Wire cutter

VARE NR	TYPE	WIRE Ø	LENGDE
PART NO		MAX MM	LENGTH
		MM	MM
8040HWC16	HC16 FELCO	16	630

**DOR**

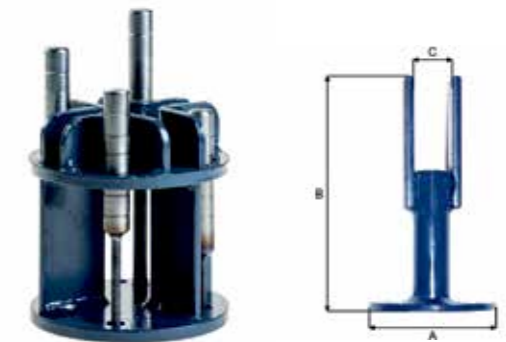
Nail puch

VARE NR	DIM	FOR KJLÅS				
PART NO	SIZE	FOR CONNECTOR	A	B	C	D
	MM	MM	MM	MM	MM	MM
75261005	5	7	150	45	5	10
75261007	7	10	190	70	7	22
75261009	9	13	210	85	9	22
75261011	11	16	220	100	11	22
75261013	13	19	240	115	13	22
75261015	15	22	250	125	15	22

**DORSETT**

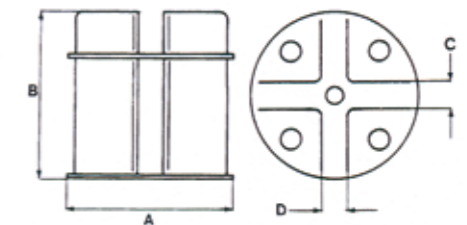
Nail punch set

VARE NR	A	B	C	D
PART NO	MM	MM	MM	MM
7526E600	160	170	25	21
7526E610	160	200	35	28
7526E650	120	190	32	∅



E600 - E610

E650



**SPLEISESTIKKE**

Wire splicing stand

VARE NR PART NO	TYPE	A MM	B MM	C MM	WIRE DIA MM
752801	E122	410	410	160	10 - 22
752802	E128	510	520	160	20 - 28
752803	E134	510	600	160	20 - 34
752803M	E134M (motor)	510	600	160	20 - 34
752804	E200				20 - 34

**KOSTER**

Brooms

VARE NR PART NO	TYPE
8037PSUS	PIASAVA
8037KS	KOSTESKAFT/ BROOMSTICK
8037KTS	KOST MED TELESKOP-SKAFT
8037KTS	BROOM WITH TELESCOPE HANDLE
8037FE	FEIEKOST / SWEEPING BROOM
8037KS	KOSTESKAFT/ BROOMSTICK
8037LEV	LEVANG (KOST)

**KUTTSKIVER**

Cutting disk

VARE NR PART NO	TYPE
80375	KAPPEKIVER 5"
80377	KAPPEKIVER 7"
80378	KAPPEKIVER 9"

**MASKEVIDDEMÅL**

Mesh size measuring tool

VARENR PART NO.	TYPE TYPE
8038M1	10 - 170 MM
8038M2	60/70 - 110/120 MM
8038M3	110 - 170 MM

**TUSJ**

Markin pen

VARENR PART NO	TYPE TYPE	PERMANENT INK
91004	MEDIUM LINE	PERMANENT INK

**FISKEKURV / REKEKURV**

Fish basket / shrimp basket

VARENR PART NO	TYPE TYPE	VEKT WEIGHT
80370001	44 LITERS	1.7 KG

**NOTKLO**

Net finger grip

Notklo for enkel håndtering av nøter og merder.

Klo og poppnagler i syrefast stål.

For easier handling of nets.

Claw in stainless steel.

VARE NR PART NO	TYPE TYPE
750110STERN	STERNER NOTKLO





BØTENÅLER

Needles



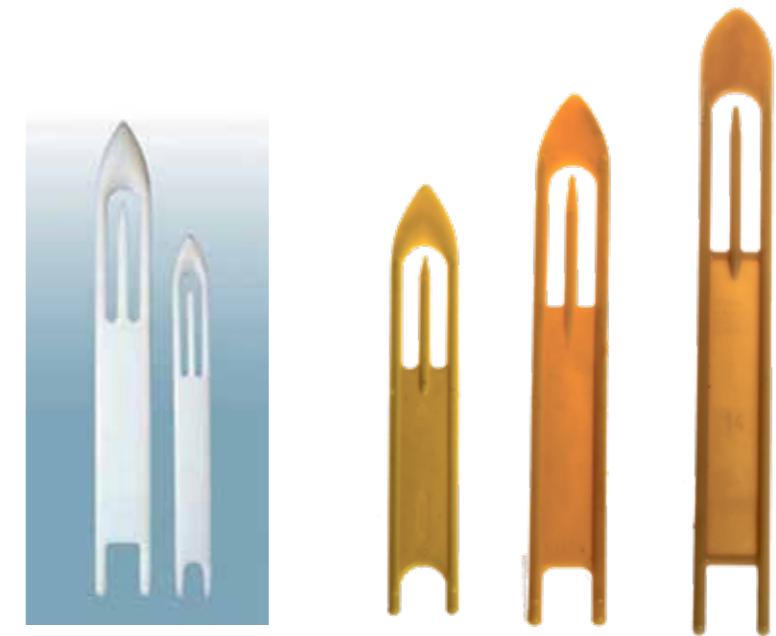
VARE NR PART NO	DIM SIZE
7505065110	6.5 X 110 MM
7505085110	8.5 X 110 MM
7505085160	8.5 X 160 MM
750510130	10 X 130 MM
750510170	10 X 170 MM
750510200	10 X 200 MM
750512130	12 X 130 MM
750512200	12 X 200 MM
750514145	14 X 145 MM
750514200	14 X 200 MM
750516150	16 X 150 MM
750516200	16 X 200 MM
750516240	16 X 240 MM
750518160	18 X 160 MM
750518200	18 X 200 MM

VARE NR PART NO	DIM SIZE
750520135	20 X 130 MM
750520155	20 X 155 MM
750520175	20 X 175 MM
750520200	20 X 200 MM
750520250	20 X 250 MM
750527200	27 X 200 MM
750527250	27 X 250 MM
750527280	27 X 280 MM
750527310	27 X 310 MM
750532250	32 X 250 MM
750532280	32 X 280 MM
750532310	32 X 310 MM
750533250	33 X 250 MM
750533280	33 X 280 MM
750533310	33 X 310 MM

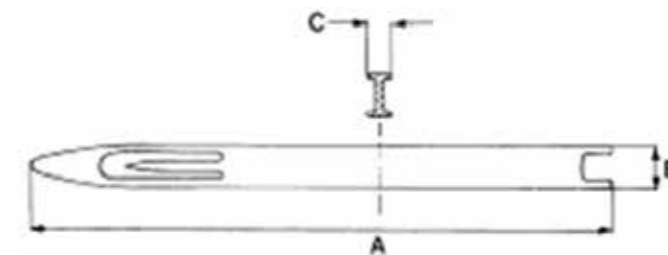


BØTENÅLER

Needles



VARE NR PART NO	DIM SIZE	DIM TOMMER INCHES	A MM	B MM	C MM
7505B09	NR9	9	200	23	5
7505B10	NR10	10	250	34	6
7505B12	NR12	12	300	38	8.4
7505B13	NR14	14	355	38	8.5
7505B14	NR16	16	405	44	8.7
7505B15	NR20	20	505	52	9.2





TAU

- MAXIMA 3-SLÅTT S. 190
- MAXIMA 8-SLÅTT S. 191
- MAXIFLEX 8-SLÅTT S. 191
- MAXIFLEX/SILVER 3-SLÅTT S. 192
- X-2 ULTRA 8-SLÅTT S. 193
- PE-COURLENETAU S. 194
- NYLONTAU 3-SLÅTT, HVITT S. 195
- TERYLENETAU 3-SLÅTT S. 196
- HANEFOTTAU S. 196
- DANLINETAU KVADRATFLETTA 8-SLÅTT S. 197
- DANLINETAU 3-SLÅTT S. 198
- DANLINETAU 3-SLÅTT, ETTERSTREKT S. 199
- DANLINETAU 3-SLÅTT, MED BLY S. 199
- DANLINETAU 4-SLÅTT S. 200
- DANLINETAU 4-SLÅTT, MED BLY S. 200
- DANLINETAU 4-SLÅTT, HARDT SLÅTT S. 201
- ARMERT KLEDNINGSSLANGE S. 201
- STÅLDANLINE 4-SLÅTT S. 202
- SNURREVAD BLY S. 203
- X-FLETTET DANLINE S. 204
- BLYTAU FLETTA TERYLENE S. 204
- KOMBINASJONSTAU MED STÅLKJERNE S. 205
- HOTLINE S. 206
- NORTH SEA S. 206
- DYNEEMA TAU S. 207
- NYLON TAU S. 208
- ATLAS TAU S. 209
- DURA-WINCHLINE S. 210
- DURA-FLOAT S. 211
- O-FLETTET NYLON S. 212
- X-FLETTET NYLON S. 213
- X-FLETTET TERYLENE S. 214
- X-FLETTET ULSTRON S. 214
- NYLONTRÅD S. 215
- FLETTET PE-TRÅD S. 215
- FLETTET SNG-TRÅD S. 216
- FLETTET SAPHIRE-TRÅD S. 216



MAXIMA 3-SLÅTT

Maxima rope, 3-strand

Features / Benefits

- 25% mer styrke enn vanlige PP tau
- Flyter i vann, absorberer ikke vann
- Lav forlengelse

- *25% more strength than conventional PP ropes*
- *Floats in water, does not absorb water*
- *Low elongation*



VARE NR	DIM	KG/220 MTR	BRUDDSTYRKE	LENGDER
PART NO	SIZE	KG/220 MTR	BREAKING POINT	LENGTH
	MM	KG	KG	METER
701504	4	1.63	340	220
701506	6	3.67	700	220
701508	8	6.60	1350	220
701510	10	10	2050	220
701512	12	14.50	3000	220
701514	14	20	4100	220
701516	16	25.5	4800	220
701518	18	32.50	6100	220
701520	20	40	7600	220
701522	22	48.5	9300	220
701524	24	57	10500	220
701526	26	67	12250	220
701528	28	78	14500	220
701530	30	89	16500	220
701532	32	101	18500	220
701536	36	129	23300	220
701540	40	158	28000	220
701544	44	194	34000	220
701548	48	229	39500	220
701552	52	268	45500	220
701556	56	312	52000	220



MAXIMA 8-SLÅTT

Maxima Braided, 8-strand

Features / Benefits

- Flyter i vannet, absorberer ikke vann
- Lett å spleise
- Fortøyning

- *Floats in water, does not absorb water*
- *Easy to splice*
- *Mooring*



VARE NR	DIM	KG/220 MTR	BRUDDSTYRKE	LENGDER
PART NO	SIZE	KG/220 MTR	BREAKING POINT	LENGTH
	MM	KG	KG	METER
707056	56	312	52000	220
707064	64	407	67500	220
707072	72	515	84500	220
707080	80	600	104000	220
707088	88	772	125000	220
707096	96	916	148000	220

MAXIFLEX / SILVER 8-SLÅTT

Maxiflex braided, 8-strand

Fordeler / Benefits

- Spesifikk vekt tilsvarende nylon, synker dermed i vann
- Beholder fleksibiliteten selv etter langvarig bruk
- Høy UV-motstand

- *Specific gravity equivalent to nylon, hence sinks in water*
- *Retains flexibility even after prolonged use*
- *High UV resistance*



VARE NR	DIM	KG/220 MTR	BRUDDSTYRKE	LENGDER
PART NO	SIZE	KG/220 MTR	BREAKING POINT	LENGTH
	MM	KG	KG	METER
701752	52	330	54300	220
701756	56	378	62800	220
701760	60	438	72000	220
701764	64	495	82600	220
701772	72	627	102000	220
701780	80	775	125500	220
701788	88	1100	156000	220
701796	96	1315	185000	220
7017104	104	1540	216000	220
7017112	112	1790	250000	220

**MAXIFLEX / SILVER 3-SLÅTT**

Maxiflex / Silver rope, 3-strand

Features / Benefits

- Spesifikk vekt tilsvarende nylon, synker dermed i vann
- Lengre levetid på grunn av høy UV stabilitet
- Beholder fleksibiliteten etter langvarig bruk
- *Specific gravity equivalent to nylon, hence sinks in water*
- *Longer life due to high UV stability*
- *Retains flexibility after prolonged use*



VARE NR	DIM	KG/220 MTR	BRUDD STYRKE	LENGDER
PART NO	SIZE	KG/220 MTR	BREAKING POINT	LENGTH
	MM	KG	KG	METER
701106	6	4.4	740	220
701108	8	7.36	1400	220
701110	10	12.1	2080	220
701112	12	17.6	3000	220
701114	14	24	4100	220
701116	16	31	5300	220
701118	18	39	6700	220
701120	20	48.6	8300	220
701122	22	59	10000	220
701124	24	70	12000	220
701126	26	82.3	13600	220
701128	28	96	15800	220
701130	30	109	17500	220
701132	32	124	20000	220
701136	36	157	24900	220
701140	40	195	30000	220
701144	44	238	35800	220
701148	48	282	46290	220
701152	52	330	58500	220
701156	56	378	62800	220

**X2 ULTRA, KVADRATFLETTET**

X2 Ultra, Braided

Fordeler / Benefits

- Bedre slitestyrke
- Utmerket form og opprinnelige vekt oppbevaring
- Høyere styrke til vekt-forhold
- *Better abrasion resistance*
- *Excellent shape and original weight retention*
- *Higher strength to weight ratio*



VARE NR	STØRRELSE	VEKT	BRUDDSTYRKE
PART NO	SIZE	WEIGHT	BREAKING POINT
	MM	KG/220M	KG
707536U	36	157	31000
707540U	40	195	36500
707544U	44	238	46500
707548U	48	282	58500
707552U	52	330	68000
707556U	56	378	78000
707560U	60	438	89000
707564U	64	495	103000
707568U	68	558	114500
707572U	72	627	126000
707576U	76	699	138500
707580U	80	814	157000
707588U	88	1100	193000
707596U	96	1315	233000
7075104U	104	1540	269000
7075112U	112	1790	300000
7075120U	120	2050	343200

**PE - COURLENETAU 3-SLÅTT**

PE - Courlene rope 3-strand

Fordeler / Benefits

- Bedre slitestyrke
- Utmerket form og opprinnelige vekt oppbevaring
- Høyere styrke til vekt-forhold
- *Highly resistant to acids and alkalies*
- *Floats in water, does not absorb water*
- *High abrasion resistance due to special construction*



VARE NR PART NO	DIM SIZE MM	VEKT WEIGHT KG/110 MT KG	STANDARD KVEILER STAND. COILS METER	BRUDDSTYRKE BREAKING POINT KG
702005	5	1.20	110	360
702006	6	2.00	110	430
702008	8	3.50	110	730
702010	10	5.50	110	1090
702012	12	8.00	110	1540
702014	14	10.50	110	2090
702016	16	14.00	110	2800
702018	18	17.10	110	3468
702020	20	22.00	110	4275
702022	22	24.50	110	5080
702024	24	32.50	110	6100
702028	28	40.00	110	8210
702030	30	46.10	110	9450
702032	32	56.00	110	10700
702036	36	72.50	110	13460
702040	40	87.70	110	16320
702044	44	105	110	18800
702048	48	127	110	22850

Egenvekt/ Specific gravity: 0,91

**NYLONTAU 3-SLÅTT HVIT**

Nylon rope 3-strand

Materiale: Nylon
 Farge/Colour: Hvit/White
 Egenvekt: 1,14
 Specific gravity



VARE NR PART NO	DIMENSJON SIZE MM	VEKT WEIGHT KG/220 MT KG	STANDARD KVEILER STAND.COILS METER	BRUDDSTYRKE BREAKING LOAD KG
704006	6	5.21	110	800
704008	8	9.22	110	1350
704010	10	14.30	110	2080
704012	12	20.60	110	3000
704014	14	28.20	110	4100
704016	16	36.50	110	5300
704018	18	46.20	110	6700
704020	20	57.20	110	8300
704022	22	69.10	110	10000
704024	24	82.10	110	12000
704026	26	97	110	13700
704028	28	112	110	15800
704030	30	128	110	17800
704032	32	146	110	20000
704036	36	184	110	24800
704040	40	229	110	30000
704044	44	277	110	35800
704048	48	330	110	42000

**TERYLENETAU 3-SLÅTT**

Terylene rope 3-strand

Materiale: Terylene
 Farge/Colour: Hvit/White
 Egenvekt: 1,38
 Specific gravity

VARE NR PART NO	DIMENSJON SIZE MM	VEKT WEIGHT KG/220 MT KG	STANDARD KVEILER STAND.COILS METER	BRUDDSTYRKE BREAKING POINT KG
703010	10	10.6	110	1200
703012	12	13.0	110	1700
703014	14	15.4	110	1800
703016	16	18.0	110	2100
703018	18	22.0	110	2700
703020	20	25.0	110	3300
703022	22	29.0	110	3900
703024	23	37.0	110	4500
703026	26	63.0	110	6000

HANEFOTTAU 3-SLÅTT NYLON SORT

Nylon rope 3-strand black

Materiale: Nylon
 Farge/Colour: Sort/black
 Egenvekt: 1.14
 Specific gravity

VARE NR PART NO	DIMENSJON SIZE MM	VEKT WEIGHT KG/220 MT KG	STANDARD KVEILER STAND.COILS METER	BRUDDSTYRKE BREAKING POINT KG
701214	14	28.20	110	4100
701216	16	36.50	110	5300
701218	18	46.20	110	6700
701220	20	57.20	110	8300
701222	22	69.10	110	10000
701224	24	82.10	110	12000
701226	26	97	110	13700
701228	28	112	110	15800

**DANLINETAU KVADRATFLETTA 8-SLÅTT**

Danline rope braided, 8-strand

Fordeler / Benefits

- Flyter i vannet, absorberer ikke vann
- Lett å spleise
- Fortøyning

- *Floats in water, does not absorb water*
- *Easy to splice*
- *Mooring*



VARE NR PART NO	DIM SIZE MM	KG/220 MT KG	BRUDD STYRKE BREAKING POINT KG	LENGDER LENGTH METER
5524	24	57	10300	2450
5528	28	78	15100	1800
5532	32	101	18700	1400
5536	36	128	24600	1100
5540	40	158	28500	890
5544	44	193	33900	730
5548	48	220	37400	640
5552	52	265	45000	550
5556	56	312	48300	450
5564	64	407	65000	350
5572	72	515	83600	275
5580	80	638	86400	220

Egenvekt/ Specific gravity: 0,91

**DANLINETAU 3-SLÅTT**

Danline rope, 3-strand

Fordeler / Benefits

- 25% mer styrke enn vanlige PP tau
- Flyter i vann, absorberer ikke vann
- Lav forlengelse

- 25% more strength than conventional PP ropes
- Floats in water, does not absorb water
- Low elongation



VARE NR	DIM	KG/220 MTR	BRUDDSTYRKE	LENGDER	MAX LENGDER
PART NO	SIZE	KG/220 MTR	BREAKING POINT	LENGTH	MAX LENGTH
	MM	KG	KG	MTR	MTR
531003	3	1.4	290	110	110
531004	4	2.1	320	110	110
531005	5	3.2	410	110	110
531006	6	4.1	525	110	110
531007	7	5.6	890	110	110
531008	8	6.6	1020	110	2000
531010	10	10.0	2060	110	2000
531012	12	15.0	2800	110	1800
531014	14	20.0	3050	110	1800
531015	15	22.0	3200	110	1800
531016	16	25.0	4005*	220/110	1800
531018	18	32.5	4130	220/110	1800
531020	20	39.0	5760	220/110	1650
531022	22	43.0	6850	220/110	1400
531024	24	49.0	8047	220/110	1350
531028	28	65.0	10720	220/110	1250
531032	32	84.0	16200*	220/110	1000
531036	36	105.0	22420*	220/110	770
531040	40	125.0	26500*	220/110	680
531044	44	146.0	28500*	220/110	550
531048	48	185.0	33330*	220/110	440
531052	52	225.0	38000	220/110	400
531056	56	260.0	44200*	220/110	300
531064	64	325.0	56500*	220/110	250
531072	72	395.0	67000	220/110	220
531080	80	550.0	83000	220/110	200

* Testet i egen testbenk

* Tested in our own test bench

Egenvekt/ Specific gravity: 0,91

**DANLINETAU 3-SLÅTT ETTERSTREKT, SELSTAD**

Danline rope, 3-strand

Fordeler / Benefits

- 25% mer styrke enn vanlige PP tau
- Flyter i vann, absorberer ikke vann
- Lav forlengelse

- 25% more strength than conventional PP ropes
- Floats in water, does not absorb water
- Low elongation



VARE NR	DIM	KG/220 MT	BRUDDSTYRKE	LENGDER MTR	METER PR
PART NO	SIZE	KG/220 MT	BREAKING POINT	STAND. LENGTH	KARTONG
	MM	KG	KG	METER	MTR/BOX
531116E	16	26.0	3550	170	METER
531118E	18	34.0	4130	170	8 X 170
531120E	20	40.5	5760	170	7 X 170
531122E	22	45.0	6850	170	6 X 170
531124E	24	51.0	8047	170	6 X 170
531128E	28	67.5	10720	170	4 X 170
531132E	32	89.0	13800	220	4 X 170
531136E	36				
531140E	40	132.0	21000	220	2 X 220

Egenvekt/ Specific gravity: 0,91

DANLINETAU 3-SLÅTT MED BLY, SELSTAD

Danline rope 3-strand with lead

Materiale: Polyetylen/Polypropylen

Farge/Colour: Grønn/Green



VARE NR	DIM	VEKT	BRUDDSTYRKE	LENGDER
PART NO	SIZE	WEIGHT	BREAKING POINT	LENGTH
	MM	KG/M	KG	METER
531012B	12	-	2500	220
531016B	16	-	3800	220
531018B	18	0.5	4000	220
531020B	20	0.7	5500	220
531024B	24	0.5/0.8/1.0	7700	220
531028B	28	-	10000	220
531032B	32	1.3	15000	220
531036B	36	2.0	21000	220

Vi kan lage blytau med forskjellig vekt og dimensjon.

**DANLINETAU 4-SLÅTT, SELSTAD**

Danline rope, 4-strand, Selstad

Material: Polyetylen/Polypropylen
 Farge/Colour: Grønn/Green
 Egenvekt: 0,91
 specific gravity

VARE NR	DIM	KG/220 MT	BRUDDLAST	LENGDER	
PART NO	SIZE	KG/220 MT	BREAKING POINT	LENGTH	TEXT
	MM	KG	KG	MTR	
5410084	8	6.5	1100	1500	FIBRE
5410104	10	10	2200	1350	FIBRE
5410124	12	15	2600	1200	FIBRE
5410144	14	20	3500	1100	FIBRE
5410164	16	25	4000	900	FIBRE
5410184	18	32.5	4300	800	FIBRE
5410204	20	39	5800	700	FIBRE
5410244	24	49	8200	600	FIBRE

**DANLINETAU 4-SLÅTT MED BLY, SELSTAD**

Danline rope 4-strand with lead, Selstad

Material: Polyetylen/Polypropylen
 Farge/Colour: Grønn/Green

VARE NR	DIM	KG/220 MT	BRUDDLAST	LENGDER	
PART NO	SIZE	KG/220 MT	BREAKING POINT	LENGTH	TEXT
	MM	KG	KG	METER	
5410084B	8	11.7	1495*	1500	WITH LEAD
5410104B	10	17.8	1903*	1350	WITH LEAD
5410124B	12	19.6	2515*	1200	WITH LEAD
5410144B	14	24.6	3433*	1100	WITH LEAD
5410164B	16	31.7	3978*	900	WITH LEAD
5410184B	18	41.8	4200	800	WITH LEAD
5410204B	20	45.5	5700	700	WITH LEAD
5410244B	24	57.9	8300	600	WITH LEAD

* Testet i egen testbenk
 Tested in our own test bench

**DANLINETAU 4-SLÅTT FORTØYNINGSTAU-HARDT SLÅTT, SELSTAD**

Danline rope 4-strand mooring rope - hard lay, Selstad

Material: Polyetylen/Polypropylen
 Farge/Colour: Grønn/Green
 Egenvekt: 0,91
 specific gravity

VARE NR	DIM	KG/220 MT	BRUDDSTYRKE	LENGDER
PART NO	SIZE	KG/220 MT	BREAKING POINT	STANDARD LENGTH
	MM	KG	KG	METER
5410404	40	152	29000	220
5410444	44	191	31000	220
5410484	48	229	35200*	220
5410524	52	267	46100	220
5410564	56	312	49000	220
5410644	64	407	69800	220
5410724	72	515	77600	220

* Testet i egen testbenk
 Tested in our own test bench

ARMERT KLEDNINGSSLANGE

Reinforced hose

Farge/Colour: Blå/Blue



VARE NR	DIM	DIM
PART NO	SIZE	SIZE
	TOMMER/INCH	MM
8006031	1"	25
8006032	1 1/4"	32
8006038	1 1/2"	38
8006051	2"	51
8006063	2 1/2"	63
8006076	3"	76
8006101	3 1/2"	90
8006102	4"	100
8006127	5"	127
8006152	6"	176

**STÅLDANLINE, 4-SLÅTT MED STÅLTRÅD, SELSTAD**

Combi rope - Seine rope, 4 - strand with steel, Selstad

Materiale: Polyetylen/Polypropylen

Farge/Colour: Grønn/Green

VARE NR PART NO	DIM SIZE	KG/STÅL KG/STEEL	BRUDDLAST BREAK POINT	MAKS LENGDE MAX LENGTH
220 METER				
	MM	KG	KG	METER
5120090	20	90	6900	2860
5122090	22	90	7800	2200
5122110	22	110	7600	2200
5124110	24	110	9100	2200
5124130	24	130	8900	2200
5124135	24	135	8800	2200
5126125	26	125	10400	1980
5126130	26	130	10300	1980
5126135	26	135	10200	1980
5126145	26	145	10100	1980
5126150	26	150	10000	1980
5128125	28	125	17000	1540
5128130	28	130	16800	1540
5128135	28	135	16700	1540
5128150	28	150	16500	1540
5128160	28	160	16200	1540
5130135	30	135	18300	1320
5130152	30	152	18000	1320
5130167	30	167	17500	1320
5130175	30	175	17300	1320
5132170	32	170	20200	1100
5132175	32	175	20100	1100
5132185	32	185	19900	1100
5132200	32	200	19500	1100
5134185	34	185	18500	880
5136185	36	185	19000	880
5136190	36	190	18800	880
5136200	36	200	18600	880
5136210	36	210	18400	880
5136225	36	220	18200	880
5140260	40	260	20000	660
5142280	42	280	22000	660
5144300	44	300	24000	550
5144320	44	320	23100	550
5150360	50	360	29200	440
5150405	50	405	30000	440
5160480	60	480	36000	440

Vi anbefaler at tauet må spoles av ved hjelp av dreieskiver.
Videre må det brukes store skiver mot tauet.
Anbefalt skivediameter er 9 X taudimensjonen.
Bruk ikke svivler med kulelager.

*We recommend that the rope must be reeled off using turntables.
Furthermore, it must be used large sheaves against the rope.
Recommended sheaves diameter is 9 X rope dimension.
Do not use swivels with ball bearings.*

**SNURREVAD, BLY 3-SLÅTT, SELSTAD**

Danish seine, lead 3-strand, Selstad

Tauet er laget av danline fiber, 3-slått med blytråd i cordelene.
The rope is made of danline fibre, 3-strand with lead in each strand.

Materiale: Polyetylen/Polypropylen

Farge/Colour: Grønn/Green

VARE NR PART NO	DIM SIZE	KG/BLY KG/LEAD	BRUDDLAST BREAK LOAD	MAX LENGDE MAX LENGTH
220 METER				
	MM	KG	KG	MTR
5224105	24 MM	105	7500	1320
5224110	24 MM	110	7350	1320
5224115	24 MM	115	7250	1320
5224125	24 MM	125	7100	1320
5224135	24 MM	135	7000	1320
5226125	26 MM	125	10500	1100
5226135	26 MM	135	10400	1100
5228115	28 MM	115	13500	880
5228135	28 MM	135	13400	880
5228150	28 MM	150	13200	880
5230152	30 MM	152	15100	660
5232185	32 MM	185	16500	660

Vi anbefaler at tauet må spoles av ved hjelp av dreieskiver.
Videre må det brukes store skiver mot tauet.
Anbefalt skivediameter er 9 X taudimensjonen.
Bruk ikke svivler med kulelager.

*We recommend that the rope must be reeled off using turntables.
Furthermore, it must be used large sheaves against the rope.
Recommended sheaves diameter is 9 X rope dimension.
Do not use swivels with ball bearings.*

**X-FLETTET DANLINE 12-FLETTA, SELSTAD**

X-Braided danline 12-strand, Selstad

Materiale: Polyetylen/Polypropylen
 Farge/Colour: Grønn/green
 Egenvekt: 0,91
 Specific gravity

VARE NR	DIM	VEKT	BRUDDSTYRKE	LENGD
PART NO	SIZE	KG/220 MT	BREAKING POINT	LENGTH
	MM	KG	KG	METER
56D08	8	8.8	810	5000
56D09	9	9.9	1100	5000
56D10	10	11	1200	5000
56D12	12	13.2	1500	5000
56D14	14	15.4	2000	5000
56D16	16	20	2600	5000
56D18	18	23.5	3200	5000
56D20	20	28.0	4100	5000
56D22	22	33.0	5200	5000
56D24	24	37.8	6500	5000
56D26	26	42.9	8200	5000
56D28G	28	48.4	10000	5000

BLYTAU - FLETTET TERYLENE, SELSTAD

Lead rope - braided terylene, Selstad

Konstruksjon/Design:8-Flettet med bly/8-braided with lead
 Materiale: Polyester
 Farge/Colour: Hvit/White

VARE NR	DIM	VEKT	CA DIAMETER
PART NO	SIZE	WEIGHT	APPROX DIA
	GR/MTR	KG/220 MT	MM
575510200	200	44	11
575510300	300	66	13
575510400	400	88	14
575510500	500	110	15
575510800	800	176	17
575511000	1000	220	19
575511500	1500	330	21
575512000	2000	440	25
575512500	2500	550	30
575513000	3000	660	35

**BLYTAU FLETTA DANLINE, SELSTAD**

Lead rope - braided danline, Selstad

Konstruksjon/Design:8-Flettet med bly/8-braided with lead
 Materiale: Polyethylene/Polypropylene
 Farge/Colour: Grønn/Green

VARE NR	DIM	CA. VEKT	CA DIAMETER
PART NO	SIZE	APPR. WEIGHT	APPROX. DIAMETER
	GRAM/MTR	KG/220 MT	MM
575520200	200	44	11
575520300	300	66	13
575520400	400	88	14
575520500	500	110	15
575520800	800	176	17
575521000	1000	220	19
575521500	1500	330	21
575522000	2000	440	25
575522500	2500	550	30
575523000	3000	660	35

KOMBINASJONSTAU MED STÅLKJERNE

Combination rope with steel core.



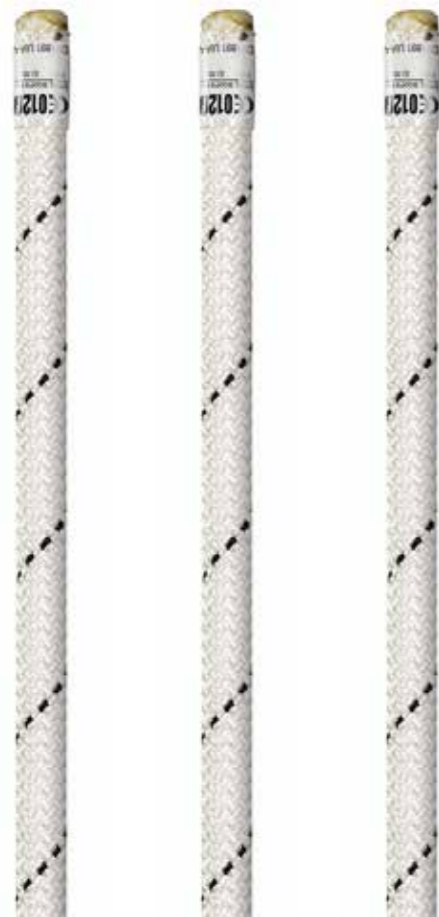
VARE NR	DIMENSJON	VEKT	BRUDDSTYRKE
PART NO	SIZE	WEIGHT	MIN BREAKING POINT
	MM	KG/220 MT	KG
73KO014	14	63.8	5500
73KO016	16	81.4	7200
73KO018	18	99.0	8300
73KO020	20	125.4	10600
73KO022	22	147.4	12600
73KO024	24	189.2	16600
73KO026	26	211.2	17900
73KO028	28	244.2	20800

**HOTLINE 11 MM**

Hotline 11 mm

IdN BEAL : 1

	PERFORMANCES PERFORMANCE	UIAA NORM EURO NORM
TYPE	A	
Diameter	11,0	
Statisk bruddstyrke	2500 daN (kg)	
Bruddstyrke med åttetallsknute	1900 daN (kg)	
Antall fall faktor 1	15 (100 kg)	≥ 5
Fangrykk faktor 0,3	5.60 kN	≤ 6 kN
Forlenging 50/150 kg	3,1 %	≤ 5 %
Strømpeslipp	0 %	
Vekt per meter	79 g	
Taustømpens prosent	42 %	≤
Kjernens masse	58 %	≥
Krymping i vann	3,3 %	
Materiale	"Polyamid (PA) / Aramid (PPTA)"	

**NORTH SEA 11 MM**

North Sea 11 mm

IdN BEAL : 1

	PERFORMANCES PERFORMANCE	UIAA NORM EURO NORM
TYPE	A	
Diameter	11,1	
Statisk bruddstyrke	3000 daN (kg)	
Bruddstyrke med åttetallsknute	1900 daN (kg)	
Antall fall faktor 1	> 20 (100 kg)	≥ 5
Fangrykk faktor 0,3	5.10 kN	≤ 6 kN
Forlenging 50/150 kg	4,0 %	≤ 5 %
Strømpeslipp	0,9 %	
Vekt per meter	75 g	
Taustømpens prosent	44 %	≤
Kjernens masse	56 %	≥
Krymping i vann	3 %	
Materiale	Polyamid	

**Application:**

Mooring Lines
Winch lines
Pick-up lines
Tug Assist.lines
Tow lines
SPM Hawsers
SubSea Inst.Lines
Wire Rope Alternative
Pennants

Selstad kan også levere Dyneema® tau med kappe
Selstad can also supply Dyneema® rope with cover

I tillegg kan Selstad også levere DYNAMICA - SK62
Selstad can also supply DYNAMICA - SK62

DYNEEMA® TAU - SK78

Dyneema® rope - SK78

Konstruksjon/Design: 12-Flettet/12-strand braided
Materiale/Materials: Dyneema® SK - 78
Farge/Colour: Blue/Blue
Egenvekt/Specific gravity: 0.98
Kritisk temp/Max temp: 60-65 Grader/Degrees
Elastisitet/elasticity: 2-3%

VARE NR	STØRRELSE SIZE	VEKT WEIGHT PR 100 METER	BRUDD STYRKE BREAKING POINT TON
7060SK7505	5	1.4	3.0
7060SK7506	6	2.1	4.0
7060SK7508	8	3.5	7.7
7060SK7510	10	4.6	10.0
7060SK7512	12	8.5	17.8
7060SK7514	14	12.0	22.0
7060SK7516	16	13.0	26.1
7060SK7518	18	19.0	36.0
7060SK7520	20	21.0	41.0
7060SK7522	22	26.0	50.5
7060SK7524	24	31.5	55.0
7060SK7526	26	26.0	65.0
7060SK7528	28	40.0	70.0
7060SK7530	30	43.0	78.0
7060SK7532	32	47.0	84.5
7060SK7534	34	53.0	94.0
7060SK7536	36	61.0	110
7060SK7538	38	72.0	133
7060SK7540	40	76.5	145
7060SK7542	42	94.5	155
7060SK7544	44	100	170
7060SK7552	52	143	220
7060SK7560	60	200	310

Vi leverer også andre dimensjoner på forespørsel.
We also supply other dimensions on request.

Dyneema® + cover





NYLON TAU

Garfil mr nylon ropes



Features / Benefits

- Firm strand formation
- Full stowage flexibility
- Maximum strength
- High energy absorption
- Excellent shock absorption
- Working windlass grip-hold
- Certified by Lloyds Register Asia

Application: Towing

NOMINAL DIAMETER (MM)	STD. COIL WT. FOR 220MTR (KGS)	BREAKING STRENGTH (KGF)
28	106	15198
30	122	17340
32	139	19584
36	176	24480
40	217	29988
44	262	35802
48	312	42024
52	367	48858
56	425	56100
60	488	63954
64	557	72318
72	704	90474
80	869	110160
88	1052	132600
96	1252	156060

Tolerance On Weight :- +/- 5 %
 Testing as per BSEN 2307 : 2005

*the above specifications are indicative and are likely to change



ATLAS TAU

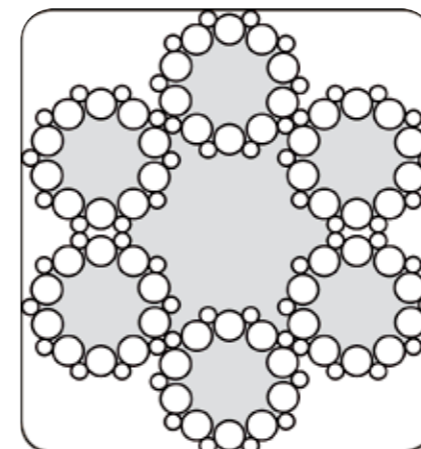
Atlas rope

Design: with filling thread
 Type of lay: cross

No standard, only on special request

Specific Properties: High breaking load, Good elongation,
 Best spooling on winches, Easy handling

Application: Shipping



Ø MM	WEIGHT KG/M	MBL MP	MBL KN
18	0.22	7.0	68
22	0.35	11.0	107
24	0.40	13.0	127
26	0.47	15.3	150
28	0.52	16.8	164
30	0.56	18.0	176
32	0.65	22.0	215
36	0.83	26.0	255
38	0.82	27.5	269
40	1.05	31.0	304
44	1.25	42.0	412
48	1.48	50.0	490
52	1.64	54.0	529
56	2.00	66.5	652
60*	2.16	70.0	686
62	2.35	79.0	775
64	2.45	81.0	794
68	2.80	94.0	922
70	3.10	103.0	1010
78	3.64	120.0	1177
84	4.25	140.0	1373
90	5.05	165.0	1618
96	5.85	190.0	1863
90	5.05	165.0	1618
96	5.85	190.0	1863



DURA - WINCHLINE

DURA - Winchline

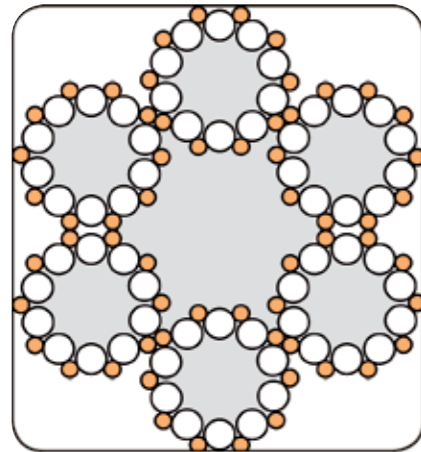
Konstruktion: with filling thread
Type of lay: cross, synthetic.

No standard, only on special request

Specific Properties:
High breaking load, Good elongation,
Best spooling on winches, Easy handling

Application: Shipping

Ø MM	WEIGHT KG/M	MBL MP	MBL KN
18	0.22	7.0	68
22	0.35	11.0	107
24	0.40	13.0	127
26	0.47	15.3	150
28	0.52	16.8	164
30	0.56	18.0	176
32	0.65	22.0	215
36	0.83	26.0	255
38	0.82	27.5	269
40	1.05	31.0	304
44	1.25	42.0	412
48	1.48	50.0	490
52	1.64	54.0	529
56	2.00	66.5	652
60*	2.16	70.0	686
62	2.35	79.0	775
64	2.45	81.0	794
68	2.80	94.0	922
70	3.10	103.0	1010
78	3.64	120.0	1177
84	4.25	140.0	1373
90	5.05	165.0	1618
96	5.85	190.0	1863
90	5.05	165.0	1618
96	5.85	190.0	1863



DURA - FLOAT S6

DURA - Float S6

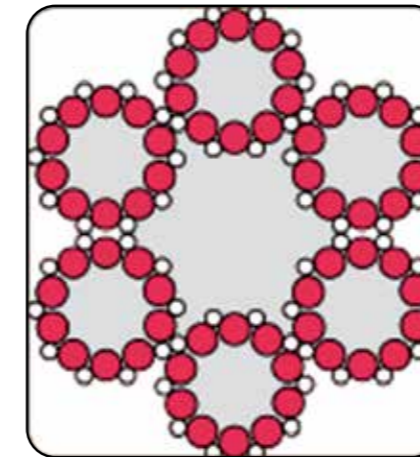
Design: 6-strand, synthetic
Dichte: 0,99 - floating

No standard, only on special request

Specific Properties:
High breaking load, Good elongation,
Best spooling on winches, Easy handling

Application: Shipping

Ø MM	WEIGHT KG/M	KALK. MBL KN
48	1.40	434
52	1.59	504
56	1.85	580
60	2.05	660
62	2.20	685
64	2.30	736
68	2.61	800
72	3.05	930
78	3.40	1060



**O-FLETTET NYLON, SELSTAD****O-Braided nylon rope, Selstad**

Konstruksjon/design: O-Flettet/O-Braided
 Materiale: Nylon
 Farge/Colour: Hvit/White
 Egenvekt: 1,14
 Specific gravity



VARE NR	VEKT	STØRRELSE	BRUDDSTYRKE
PART NO	METER/KG	MM	N
610023	23	11.0	11000
610030	30	10.0	10100
610037	37	9.0	9600
610045	45	8.5	9200
610053	53	8.0	8600
610065	65	7.5	8100
610075	75	7.0	7900
610090	90	6.0	7000
610110	110	5.0	5000
610130	130	4.5	4500
610150	150	4.0	3250
610170	170	3.5	2900
610200	200	3.0	1950
610230	230	2.5	1600
610280	280	2.0	1350
610380	380	1.0	950

Vi leverer i spoler eller i bulkpakninger
 Delivered on spools or bulk

**X-FLETTET NYLON, SELSTAD****X-Braided nylon, Selstad**

Konstruksjon/design: X-Flettet/X-braided
 Materiale: Nylon
 Farge/Colour: Hvit/White
 Egenvekt: 1,14
 Specific gravity



VARE NR	STR	SPOLER	KARTONG	VEKT	BRUDDSTYRKE
PART NO	MM	METER	ANT. SPOLER	KG	KG
606101	1	100.0	108	0.10	39
606102	2	100.0	75	0.17	120
606103	3	100.0	70	0.55	180
606104	4	100.0	48	0.90	300
606105	5	100.0	30	1.50	500
606106	6	100.0	24	2.20	700
606107	7	100.0	15	3.50	925
606108	8	100.0	15	4.50	1200
606110	10	100.0	9	5.50	2080
606112	12	100.0	6	9.40	3000
606114	14	-	LØS/BULK	14.10	4100
606116	16	100.0	LØS/BULK	18.25	5300
606118	18	-	LØS/BULK	23.10	6700
606120	20	-	LØS/BULK	28.60	8300
606122	22	-	LØS/BULK	34.60	10000
606124	24	-	LØS/BULK	41.00	12000

Vi leverer i spoler eller i bulkpakninger
 Delivered on spools or bulk

**X-FLETTET TERYLENE****X-Braided terylene**

Konstruksjon/Design: X-Flettet/X-braided
 Materiale: Terylene
 Farge/Colour: Hvit/White
 Egenvekt: 1,24
 Specific gravity



VARE NR	STØRRELSE	SPOLER	KARTONG	BRUDDLAST
	SIZE	SPOOLS	CARTONS	BREAKING
	MM	Å/OF	Å/OF	POINT
PART NO	MM	METER	ANT. SPOLER	KG
68XFP01H	1	100	108	1005
68XFP02H	2	100	75	1590
68XFP03H	3	100	70	2210
68XFP04H	4	100	48	3560
68XFP05H	5	100	30	5350
68XFP06H	6	100	24	7430
68XFP07H	7	100	15	8400
68XFP08H	8	100	15	9200
68XFP10H	10	100	9	10900

X-FLETTET ULSTRON**X-braided ulstron**

Konstruksjon/Design: X-Flettet/X-braided
 Materiale: Ulstron
 Farge/Colour: Hvit/Sort White/Black
 Egenvekt: 1,24
 Specific gravity



VARE NR	STØRRELSE	SPOLER	KARTONG	BRUDDLAST
	SIZE	SPOOLS	CARTONS	BREAKING
	MM	Å/OF	Å/OF	POINT
PART NO	MM	METER	ANT. SPOLER	KG
68XU05	5	100	108	4900
68XU055	5.5	100	75	6100
68XU06	6	100	70	7200
68XU08	8	100	48	8100

Vi leverer i spoler eller i bulkpakninger
 Delivered on spools or bulk

**NYLON - TRÅD****Nylon thread**

Konstruksjon/Design: Tvistet/Twisted
 Materiale: Nylon
 Farge/Colour: Hvit/White
 Egenvekt/ Specific gravity: 1,14



Hvit
White

Vare nr	STØRRELSE	STØRRELSE	BRUDDSTYRKE	VEKT
	SIZE	Dimension	BreakING	Runnage
Part no	NR/nO	Mm	POINT	M/kg
79KV08	8	1.1	38	1612
79KV10	10	1.2	47	1254
79KV12	12	1.4	59	1054
79KV14	14	1.5	70	770
79KV16	16	1.6	81	710
79KV18	18	1.7	88	660
79KV20	20	1.8	96	606
79KV24	24	2.0	117	509
79KV32	32	2.3	141	366
79KV40	40	2.7	191	290
79KV48	48	3.0	201	245
79KV64	64	3.3	313	190
79KV96	96	3.7	397	122

NYLON - TRÅD, NOTALINBEHANDLET**Nylon thread, Notalin threaded**

Konstruksjon/Design: Tvistet/Twisted
 Materiale: Nylon. Notalin
 Farge/Colour: Svart/Black



Notalinbehandlet
Notalin threaded

Vare nr	STØRRELSE	STØRRELSE	BRUDDSTYRKE	VEKT
	SIZE	Dimension	BreakING	Runnage
Part no	NR/nO	Mm	POINT	M/kg
79PR08	8	1.1	38	-
79PR10	10	1.2	47	-
79PR12	12	1.4	59	-
79PR14	14	1.5	70	-
79PR16	16	1.6	81	-
79PR18	18	1.7	88	-
79PR20	20	1.8	96	-
79PR24	24	2.0	117	-
79PR32	32	2.3	141	-
79PR40	40	2.7	191	-
79PR48	48	3.0	201	-
79PR64	64	3.3	313	-
79PR96	96	3.7	397	-

**NYLON - TRÅD****Nylon thread**

Konstruksjon/Design: Tvistet/Twisted
 Materiale: Nylon
 Farge/Colour: Farget / Coulored
 Egenvekt: 1,14
 Specific gravity



VARE NR	STØRRELSE	STØRRELSE	BRUDDSTYRKE	VEKT
	SIZE	SIZE	BREAKING POINT	RUNNAGE
PART NO	NR/NO	MM	KG	M/KG
79FA08	8	1.1	38	1612
79FA10	10	1.2	47	1254
79FA12	12	1.4	59	1054
79FA14	14	1.5	70	770
79FA16	16	1.6	81	710
79FA18	18	1.7	88	660
79FA20	20	1.8	96	606
79FA24	24	2.0	117	509
79FA32	32	2.3	141	366

FLETTET PE - TRÅD**Braided PE-Thread**

Konstruksjon/Design: Flettet/Braided
 Materiale: Polyetylene
 Farge/Colour: Grønn, Rød/ Green, red
 Egenvekt: 0,96
 Specific gravity



VARE NR	STØRRELSE	BRUDDSTYRKE	VEKT
	SIZE	BREAKING POINT	RUNNAGE
PART NO	MM	KG	M/KG
7965FC18	1.80	58	615
7965FC25	2.50	86	405
7965FC30	3.00	120	281
7965FC35	3.50	150	225
7965FC40	4.00	175	190
7965FC45	4.50	238	140
7965FC50	5.00	240	129
7965FC60	6.00	380	89
7965FC80	8.00	460	60

**SNG - TRÅD FLETTET****SNG-Thread Braided**

Konstruksjon/Design: Flettet/Braided
 Materiale:
 Farge/Colour: Blå / Blue
 Egenvekt: 0,96
 Specific gravity



VARE NR	STØRRELSE	BRUDDSTYRKE	VEKT
	SIZE	BREAKING POINT	RUNNAGE
PART NO	MM	KG	M/KG
7965SNG21	2.1	140	350
7965SNG23	2.3	180	260
7965SNG26	2.6	225	220
7965SNG31	3.1	260	190
7965SNG38	3.8	355	138
7965SNG42	4.2	420	110
7965SNG50	5.0	590	80
7965SNG60	6.0	730	61

SAPPHIRE - TRÅD FLETTET**SAPPHIRE-Thread Braided**

Konstruksjon/Design: Flettet/Braided
 Materiale:
 Farge/Colour: Gul/Blå / Yellow/Blue
 Egenvekt:
 Specific gravity



VARE NR	STØRRELSE	BRUDDSTYRKE	VEKT
	SIZE	BREAKING POINT	RUNNAGE
PART NO	MM	KG	M/KG
7965SA17	1.70	80	560
7965SA21	2.10	115	375
7965SA26	2.60	155	260
7965SA31	3.10	220	190
7965SA38	3.80	325	125
7965SA42	4.20	355	101
7965SA50	5.00	544	75
7965SA60	6.00	700	59
7965SA67	6.70	800	45
7965SA72	7.20	900	37



OPPDRIFT

BLÅSER A TYPE, S. 220

FENDERE S. 220

BØYER S. 222

TRÅLKULER S. 224

PLASTKULER OVALE, S. 225

EGGFLOTTØRER EF, S. 225

KRAFTBLOKKFLOTTØRER S. 226

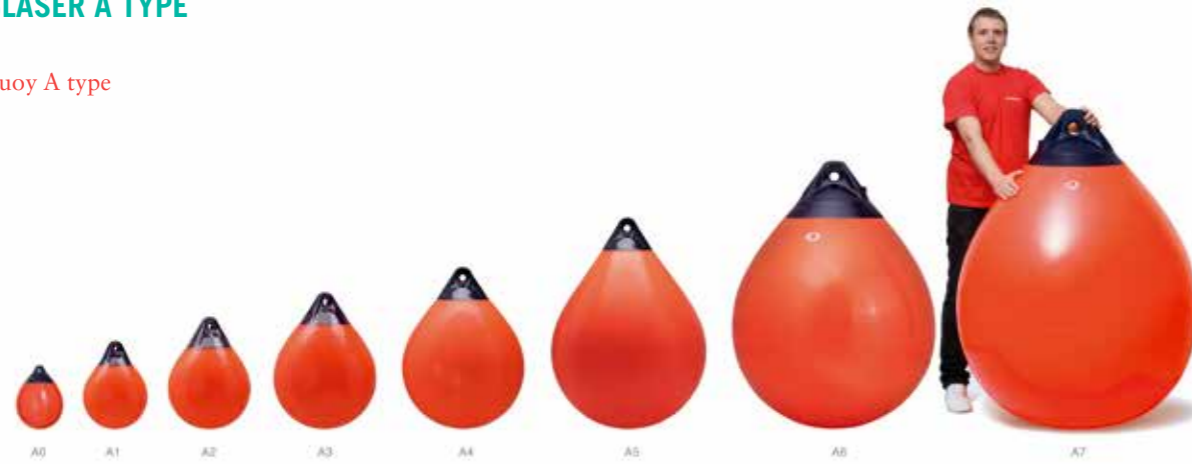
BØYER OVERFLATE S. 228

LYSBØYE FOR OPPDRETTSANLEGG, S. 229

JOTRON LYS S. 229

**BLÅSER A TYPE**

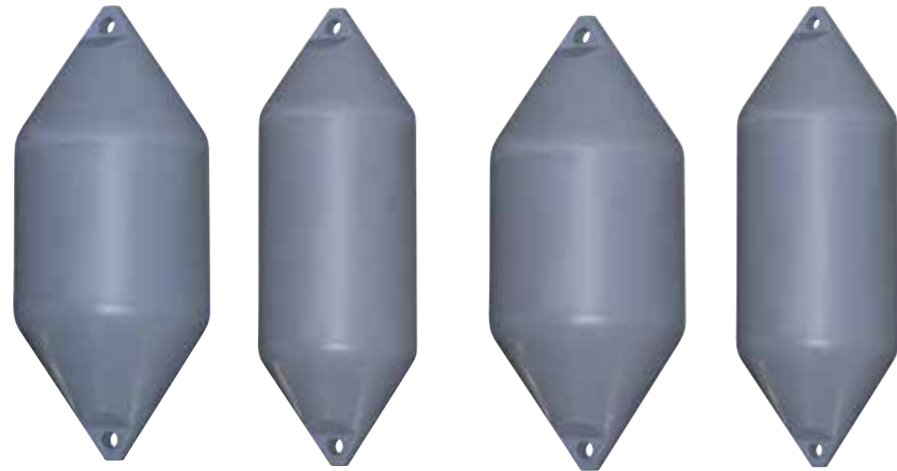
Buoy A type



VARE NR	OPPDRIFT	DIAMETER	HØYDE	ØYE	VEKT/STK
PART NO	BUOYANCY	DIAMETER	HEIGHT	EYE	WEIGHT/PC
	KG	MM	MM	MM	KG
802010A0	6.5	230	280	25	0.7
802010A1	16	310	390	25	1.2
802010A2	35	400	510	25	2.1
802010A3	62	480	620	25	3.0
802010A4	115	590	730	27	4.1
802010A5	225	750	940	30	8.5
802010A6	430	930	1190	38	13.5
802010A7	670	1100	1420	60	21.0

FENDER HEAVY DUTY HDF SERIE

Hdf-series heavy duty fender



VARE NR	TYPE	VOLUME GROSS	WEIGHT	NET BUOYANCY	HEIGHT	DIAMETER	EYELET IN ROPEHOLD	BREAKING STRENGTH
PART NO		LITER	KG	KG	CM	CM	CM	KG*
802010HDF9	HDF9	150	11	129	120	50	5	2500
802010HDF10	HDF10	230	18	192	160	50	5	2500
802010HDF11	HDF11	265	20	245	145	65	5	3500
802010HDF12	HDF12	400	30	370	185	65	5	3500

*Refers to short-time exposure to load.

FENDERE, F TYPE

Fender, F Type

POLYFORM® er en ypperlig heavy duty fender laget i ett stykke fra vår unike blanding av høy klasse materialer. F-serien fendere er utstyrt med rib-forsterket tauholder og er rot støpt av tøff, fleksibel vinyl.

The POLYFORM® is a supreme heavy duty fender made in one piece from our unique blend of high class materials. The F-series fenders are equipped with rib-reinforced rope holds and are rotomolded from tough, flexible vinyl.



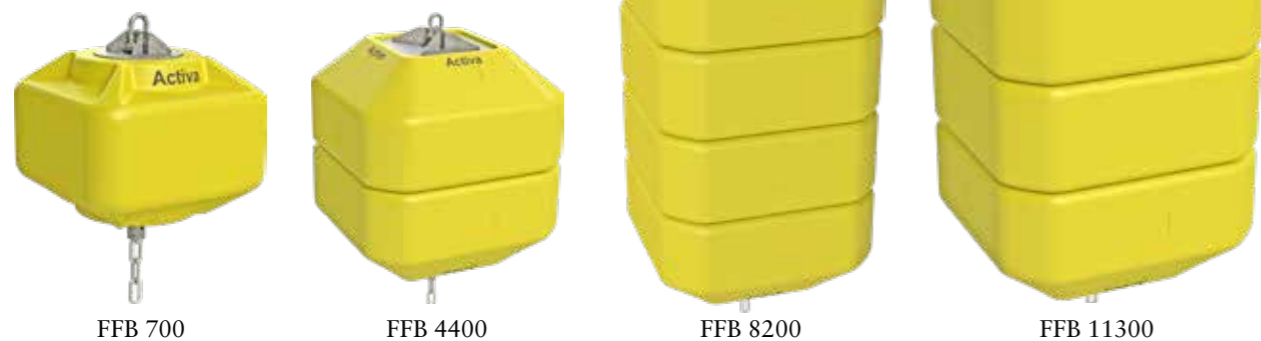
VARE NR	VOLUME	HØYDE	DIAMETER	ØYE	VEKT/STK
PART NO	LITER	HEIGHT	DIAMETER	EYE	WEIGHT/PC
		MM	MM	MM	KG
802010F1	8	610	150	20	1.00
802010F2	16	610	220	28	1.75
802010F3	22	745	220	28	2.10
802010F4	35	1040	220	28	2.90
802010F5	35	745	290	28	3.00
802010F6	60	1090	290	28	4.20
802010F7	85	1020	375	28	5.30
802010F8	135	1440	375	28	7.60
802010F11	275	1455	590	28	10.50
802010F13	700	1880	750	40	23.00



ACTIVA HAVBRUKSBØYER

Activa Aquaculture Buoy

Activa er PartnerPlasts nye, komplette produktserie av bøyer og utstyr for havbruk og oppdrettsanlegg.



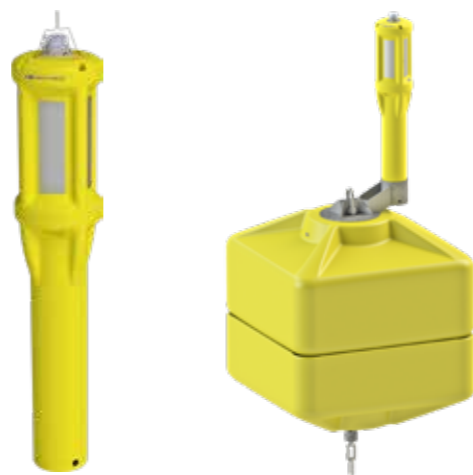
VAREN PART NO	TYPE	VOLUM LITERS	WEIGHT KG	BOUANCY KG	L x W x H CM	MBL TONN	ARMATUR KG
8020ACT0700	ACTIVA FFB 700	830	130	730	111 x 111 x 90	52	54
8020ACT2000	ACTIVA FFB 2000	2180	210	2040	162 x 162 x 122	52	57
8020ACT3300	ACTIVA FFB 3300	3580	340	3330	162 x 162 x 177	52	61
8020ACT4400	ACTIVA FFB 4400	4840	590	4400	180 x 180 x 194	70	122
8020ACT4900	ACTIVA FFB 4900	5140	420	4850	162 x 162 x 237	52	65
8020ACT6300	ACTIVA FFB 6300	6900	800	6300	180 x 180 x 263	70	146
8020ACT7800*	ACTIVA FFB 7800	8300	760	7770	234 x 134 x 217	70	123
8020ACT8200*	ACTIVA FFB 8200	8950	1000	8200	180 x 180 x 331	70	153
8020ACT11300*	ACTIVA FFB 11300	12070	1090	11310	234 x 234 x 294	70	131

ACTIVA HAVBRUKSLYS

Activa Aquaculture Lights

Activa 1 600 PWX GPS er markeringlys som er spesialkonstruert for havbruksanlegg og i tråd med kravene fra Kystverket.

Activa 1 600 PWX GPS består av en rotasjonsstøpt gul mast, batteri, radarreflektor og LED-lyset med GPS. LED-lyset er i standard IALA og har svært lavt strømforbruk. Med ulike adaptere kan lyset tilpasses flere bøyer.

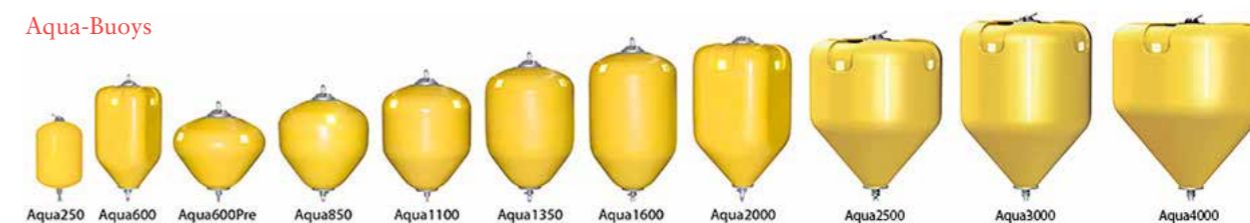


VAREN PART NO	NAVN/TYPE NAME/TYPE
8020ACTLYS	ACTIVA 1600 PWX GPS LYS
8020ACTBRA	ACTIVA 1600 LYSBRACKETT FFB



AQUA-BØYER

Aqua-Buoys



TYPE	VOLUME LITERS	WEIGHT KG	NET BUOYANCY KG	LENGTH** CM	DIAMETER CM
AQUA 250	260	32	228	113	65
AQUA 600	620	55	560	165	77 x 77
AQUA 600 PRE	620	60	560	127	120
AQUA 850	873	73	800	143	120
AQUA 1100	1130	95	1035	165	120
AQUA 1350	1380	118	1262	188	120
AQUA 1600	1640	130	1510	213	120
AQUA 2000	2020	180	1900	228	117 x 117
AQUA 2500	2550	210	2340	210	160
AQUA 3000	3050	235	2815	235	160
AQUA 4000	4075	285	3790	235	194

APB-BØYER

APB-Buoys



TYPE	WEIGHT KG	NET BUOYANCY KG	LENGTH* CM	WIDTH CM
APB1500	255	1500	109	180 x 180
APB2200	280	2200	145	180 X 180
APB3000	400	3000	194	180 x 180
APB4400	590	4400	245	180 X 180
APB6600	890	6400	335	180 X 180
APB8000	1685	8215	529	180 X 180
APB10000	1975	10325	529	180 x 180

**TRÅLKULER, HYDRODYNAMISKE**

Hydrodynamic trawl floats

Tid på arbeidsdybde 12 timer

Tid på maks dybde 1 time

*Time at working depth 12 hours**Time at max depth 1 hour*

VARE NR PART NO	DIA TOMMER INCH	OPPDRIFT BUOYANCY KG	DIA Ø MM	ØYE Ø EYE Ø MM	ARBEIDS DYBDE WORKING DEPTH M	MAX DYBDE MAX DEPTH M	FARGE COLOR	VEKT WEIGHT KG
7514140900CAHYD	14"	16.70	350	30	750	1050	YELLOW	7.34
7514140800CAHYD	14"	14.50	350	30	800	1200	GREY	7.34
751490600CAHYD	9.5"	5.80	240	21	630	900	BLUE	2.14
751491300CAHYD	9.5"	5.51	240	21	900	1300	YELLOW	2.66
751492000CAHYD	9.5"	4.90	240	24	1400	2000	GREY	3.28
751481300CAHYD	8"	2.86	200	21	1200	1700	WHITE	1.60

TRÅLKULER

Trawl floats

Tid på arbeidsdybde 12 timer

Tid på maks dybde 1 time

*Time at working depth 12 hours**Time at max depth 1 hour*

VARE NR PART NO	DIAMETER TOMMER INCH	DIAMETER Ø MM	ØYE Ø EYE Ø MM	OPPDRIFT BUOYANCY GRAM	ARBEIDS DYBDE WORKING DEPTH M	MAX DYBDE MAX DEPTH M
751411600	11"	280	24	8500	450	600
7514111300CA	11"	280	24	7 500	900	1300
751481300CA	8"	200	21	3 100	900	1300
751482000CA	8"	200	21	2 900	1400	2000

**PLASTKULER OVALE**

Floats oval

Tid på arbeidsdybde 12 timer

Tid på maks dybde 1 time

*Time at working depth 12 hours**Time at max depth 1 hour*

VAREN PART NO	OPPDRIFT TYPE BUOYANCY	DIAMETER Ø MM	ØYE Ø EYE Ø MM	LENGDE LENGTH MM	ARBEIDS DYBDE WORKING DEPTH M	MAX DYBDE MAX- DEPTH M	VEKT WEIGHT GRAM
7514800O	ABS 0.80	115	14	150	350	500	400
7514101000HYD	ABS 1.05	130	16	170	500	750	500
751400800HYD	TITANIUM 0.80	130	16	170	900	1300	600

EGGFLOTTØRER EF

Floats EF



VARE NR PART NO	OPPDRIFT TYPE BUOYANCY	LENGDE LENGTH MM	DIAMETER DIAMETER MM	ØYE Ø EYE Ø MM	VEKT WEIGHT GR
74EF300	EF 16	89	45	8	70
74EF400	EF 25	100	50	12	160
74EF550	EF 33	140	89	16	560
74EF625	EF 37	173	48	18	117

**KRAFTBLOKKFLOTTØR, POLYFORM****Floats, Polyform**

BPB Bacell™ Kraftblokkflottør er produsert av ethylene vinyl acetate (EVA)

BPB Bacell™ Purse Seine Floats are manufactured from ethylene vinyl acetate (EVA)



VARE NR PART NO	OPPDRIFT TYPE	LENGDE LENGTH	DIAMETER DIAMETER	ØYE Ø EYE Ø	VEKT WEIGHT	
	BUOYANCY KG	MM	MM	MM	GR	
7446BPB03500	BPB 3500	3.5	201	176	35	510
7446BPB04600	BPB 4600	4.6	225	186	35	610
7446BPB05700	BPB 5700	5.7	224	212	45	740
7446BPB06800	BPB 6800	6.8	230	226	45	880
7446BPB08000	BPB 8000	8.0	264	232	45	1040
7446BPB09800	BPB 9800	9.75	274	248	45	1210
7446BPB14000	BPB 1400	14.0	310	285	50	1210

KRAFTBLOKKFLOTTØR, WEIHAI**Floats, weihai**

Kraftblokkflottør er produsert av ethylene vinyl acetate (EVA)

Purse Seine Floats are manufactured from ethylene vinyl acetate (EVA)



VARE NR PART NO	OPPDRIFT TYPE	LENGDE LENGTH	DIAMETER DIAMETER	ØYE Ø EYE Ø	VEKT WEIGHT	
	BUOYANCY KG	MM	MM	MM	GR	
7447YQE30	YQE-30	3.0	190	158	33	444
7447YQE40	YQE-40	4.0	200	180	37	606
7447YQE50	YQE-50	5.0	225	202	40	790
7447YQE70	YQE-70	7.0	250	220	42	1022
7447YQE85	YQE-85	8.5	265	248	48	1329

**KRAFTBLOKKFLOTTØR, BADINOTTI****Float, Badinotti**

PVC flottør RX

PVC floats RX



VARE NR PART NO	OPPDRIFT TYPE	LENGDE LENGTH	DIAMETER DIAMETER	ØYE Ø EYE Ø	VEKT WEIGHT	
	BUOYANCY KG	MM	MM	MM	GR	
7449RX7	RX 7	7.0	250	230	29	920
7449RX10	RX 10	9.6	275	250	42	1274

KRAFTBLOKKFLOTTØR, VINYCON**Float, Vinycon**

PVC flottør GT

PVC floats GT



VARE NR PART NO	OPPDRIFT TYPE	LENGDE LENGTH	DIAMETER DIAMETER	ØYE Ø EYE Ø	VEKT WEIGHT	
	BUOYANCY KG	MM	MM	MM	GR	
7447VIG75T	G 7.5	2.5	182	155	27	-
7447VIG90T	G 9	3.5	206	172	36	-
7447VIG120T	G 12	6.0	246	203	36	-

**BØYER OVERFLATE MSB234 SERIE****Bouyancy msb234 series**

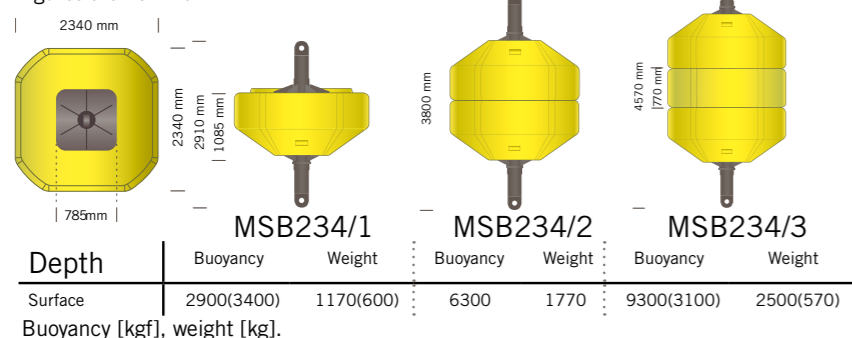
Store modulære bøyer som er mest brukt, både for permanent og midlertidig bruk. Finnes for bruk fra overflaten og ned til 2000 meter. Overflatebøyer kan leveres med radarreflektorer og lyssystem som gir en synlighet og et spekter på opp til fire nautiske mil.

Stålarbeidet har en MBL av 85t.

Standard farge: lys gul.

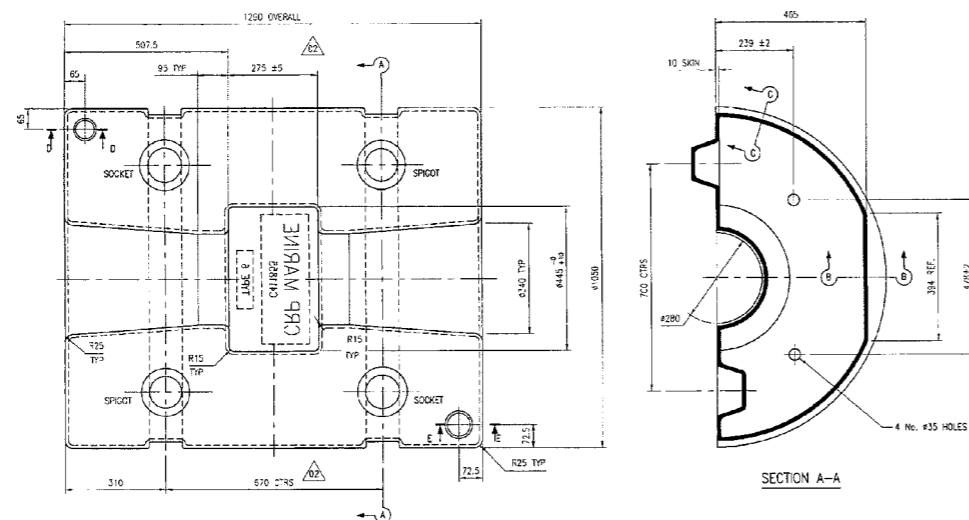
Oppdriftstallene er oppgitt sjøvann med tetthet 1025 kg/dm³. Vekt Tallene er tørrvekt i luft.

Figures are nominal.

**RISER BUOY CRVP MARINE TYPE 6****Riser buoy CRvP marine type 6**

Oppdriften per bøye er for en dybde ned til 350 meter. Modulens oppdrift er på 480 kg. Skall tykkelsen er normalt 10mm med en toleranse på +/- 3mm. Total volum per bøye er 440 liter. Vekten per bøye på land er på 48,5 kg. Vi har 42. typer bøyer på vårt lager. Inklusive Titan kjerne.

På vårt lager i Florø har vi MSB234/3 (9,3tonn B.) som kan ombygges til type MSB 234/1(2900kg B) eller 234/2 (6300kg B) . Vi har spesielle priser for langtidsleie.

**LYSBØYE FOR OPPDRETTSANLEGG SBF 160****Light buoy for fish farming SBF 160**

VARENR	NAVN/TYPE
PART NO	NAME/TYPE
800SBF16017	SABIK LYS SBF 160-1.7YB SYNC MED 220 AH BATTERI

JOTRON LYS ML 200**Jotron lamp ML 200**

VARE NR	TYPE	VEKT	ANTALL BLINK	REKKEVIDDE	VANNTETT TIL
PART NO	TYPE	WEIGHT GRAM	NO/BLINK MINUTT	RANGE NM	WATERPROOF METER
8006ML200LED	JOTRONLYS TRON ML 200	800	25	2-3	100
8006ML200BH	TRON ML-200 BATTERI HUS				
203015	BATTERY TRON ML 200				

JOTRON LYS ML 300**Jotron lamp ML 300**

Gult eller hvit lys
Yellow or white light
12 Volt
24 Volt



VARE NR	TYPE	ANTALL BLINK	REKKEVIDDE	VANNTETT TIL
PART NO	TYPE	NO/BLINK MINUTT	RANGE NM	WATERPROOF METER
8006MF14	JOTRONLYS TRON ML 300	25	2-3	IP68 5METER/1 HOUR



NETT

STREAMLINE NETT S. 234

SAPPHIRE NETT S. 235

SAPPHIRE EXCEL PLUSS S3 236

VIKING PLUS S. 236

PE NETT S. 237

UC NETT S. 238

EUROLINE PREMIUM S. 239

SICOR HOT MELT S. 239

NYLONLIN S. 240

BONETT S. 240

KNUTEFRITT NYLONLIN S. 241

GARN S. 242

LINER S. 243

KROKER S. 244

BLY LINE S. 244



STREAMLINE NETT SNG

Streamline netting SNG

Høy slitasje styrke
 Høy styrke
 Lenger levetid på trål
 Mindre diameter reduserer drivstoff kostnader
 Streamline nett, SNG er tilgjengelig i følgende varianter:
 Enkelt og Dobbelt
 Maske størrelser fra 50mm til 400mm



High abrasion
High strengt
Increases trawl life
Downsizing reduces fuel consumption
 Streamline Netting SNG are available in following varieties:
 Single and Double
 Mesh sizes from 50mm to 400mm

TRÅD TWINE	METER PR/KG RUNNAGE	BRUDDSTYRKE BREAKING STRENGT TRÅD /TREAD	BRUDDSTYRKE KNUTE BREAKING STRENGTH KNUTE/KNOT
MM	MTR/KG	KG	KG
1.2	840	68	75
2.1	350	140	185
2.3	260	180	220
2.6	220	225	280
3.1	190	260	315
3.8	138	355	425
4.2	110	420	515
5.0	80	590	745
2X5.0	40	1180	2600

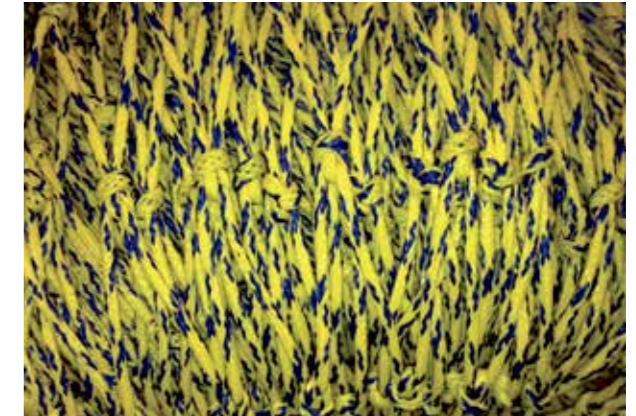
VARE NR PART NO	TRÅD TWINE	MASKE MESH	METER PR/KG RUNNAGE	BRUDDSTYRKE BREAKING STRENGT TRÅD /TREAD	BRUDDSTYRKE KNUTE BREAKING STRENGTH KNUTE/KNOT
	MM	MM	MTR/KG	KG	KG
78PFSN15012	1.2	150	840	68	75
78PFSN15521	2.1	155	350	140	185
78PFSN15523	2.3	155	260	180	220
78PFSN15526	2.6	155	220	225	280
78PFSN17026	2.6	170	220	225	280
78PFSN20026	2.6	200	220	225	280
78PFSN20031	3.1	200	190	260	315
78PFSN20038	3.8	200	138	355	425
78PFSN20042	4.2	200	110	420	515
78PFSN20050	5.0	200	80	590	745
78PFSN200502	2X5.0	200	40	1180	2600
78PFSN30031	3.1	300	190	260	315
78PFSN40031	3.1	400	190	260	315



SAPPHIRE NETT

Sapphire netting

Høy slitasje styrke
 Høy styrke
 Lenger levetid på trål
 Mindre diameter reduserer drivstoff kostnader
 Sapphire er tilgjengelig i følgende varianter:
 Enkelt og Dobbelt
 Maske størrelser fra 42mm til 800mm



High abrasion
High strengt
Increases trawl life
Downsizing reduces fuel consumption
 Sapphire Netting are available in following varieties:
 Single and Double
 Mesh sizes from 42mm to 800mm



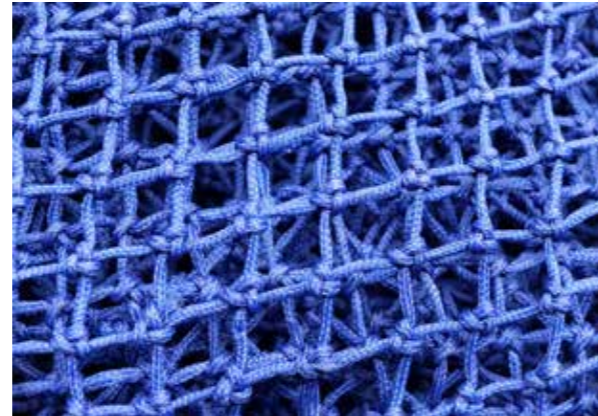
TRÅD TWINE	METER PR/KG RUNNAGE	RUDDSTYRKE BREAKING STRENGT TRÅD /TREAD	BRUDDSTYRKE KNUTE BREAKING STRENGTH KNUTE/KNOT
MM	MTR/KG	KG	KG
1.2	820	59	60
1.7	560	80	110
2.1	375	115	161
2.6	260	155	225
3.1	190	220	299
3.5	155	255	350
3.8	125	325	440
4.2	101	355	520
5.0	75	544	732
6.0	59	700	975
6.7	45	800	1100
7.2	37	900	1350



SAPPHIRE EXCEL PLUS

Sapphire Excel Plus

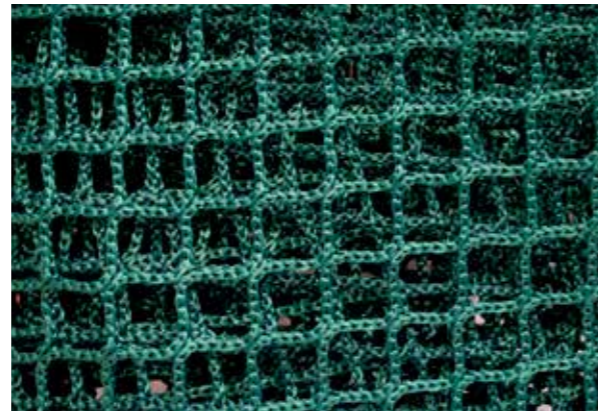
Ta kontakt for nærmere informasjon



VIKING PLUS

Viking Plus

Ta kontakt for nærmere informasjon



PE NETT ENKELT OG DOBBELT

PE netting Singel and Double

PE nett er tilgjengelig i følgende varianter:
O-fletta nett - Enkelt og Dobbelt
Maske størrelser fra 60mm til 300mm

*PE Nettings are available in following varieties:
O-Braided Nettings - Single and Double
Mesh sizes from 60mm to 300mm*



TRÅD TREAD	VEKT RUNNAGE	BRUDDSTYRKE BREAKING STRENGTH TRÅD/TREAD	BRUDDSTYRKE KNOTE BREAKING STRENGTH KUNTE/KNOT
MM	MTR/KG	KG	KG
1.00	1030	34	44
1.20	980	38	49
1.50	800	45	60
1.80	615	58	79
2.00	520	70	93
2.50	405	86	107
3.00	281	120	160
3.50	225	150	210
4.00	190	175	260
4.50	140	238	345
5.00	129	240	345
6.00	89	380	525
8.00	34	700	1140

Vi leverer også andre dimensjoner på forespørsel.
We also supply other dimensions on request.



VARE NR PART NO	TRÅD TREAD MM	MASKE MESH MM	METER PR/KG RUNNAGE MTR/KG	BRUDDSTYRKE BREAKING STRENGTH KG
78PF15540	4	155	190	175
78PF155402	2x4	155	190	175
78PF155502	2x5	155	129	240
78PF155602	2x6	155	89	380
78PF170502	2x5	170	129	240
78PF200502	2x5	200	129	240
78PF200602	2x6	200	89	380

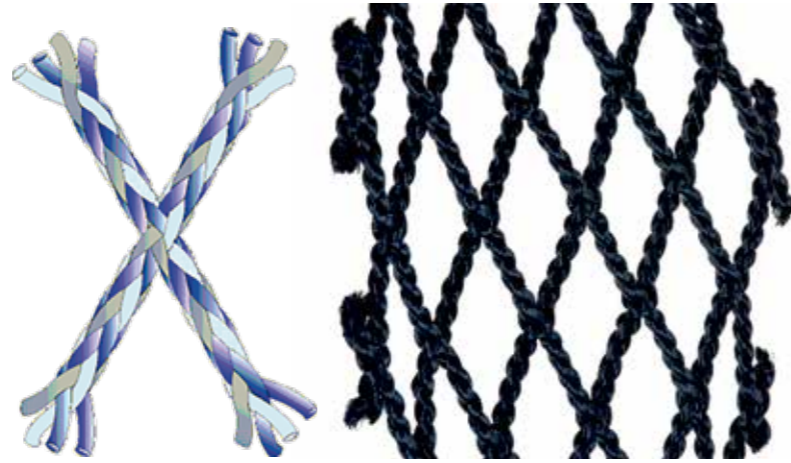


UC NETT

Ultra cross knotless netting with high tenacity PE

Høy styrke
Lav friksjon
Høy slitasje styrke
Stabile maske størrelser

*High strength
Low friction
High abrasion
Stable mesh size*



TRÅD STØRRELSE TWINE SIZE	DIAMETER MM	MINIMUM MASKE STR MINIMUM MESH SIZE (APPROXIMATE) MM	MAKSIMUM MASKE STR MAXIMUM MESH SIZE (APPROXIMATE) MM	BRUDD STYRKE BREAKING STRENGTH PER BAR OF NETTING KG
40 ply	2.0	43	9999	55
60 ply	2.9	43	9999	80
80 ply	3.2	43	9999	105
120 ply	3.8	43	9999	155
160 ply	4.4	48	9999	210
200 ply	4.9	48	9999	260
240 ply	5.4	48	9999	330
300 ply	6.0	71	230**	410
320 ply	6.2	71	240**	435
360 ply	6.7	71	260**	490
420 ply	7.1	105	280**	540
480 ply	7.6	105	300**	600
600 ply	8.8	62	9999	770
720 ply	9.4	76	9999	990
800 ply	9.8	78	9999	1060
1000 ply	10.8	90	9999	1240
12000 ply	11.9	100	9999	1600

**Due to jacquard chain limits

VARENR PART NO	TRÅD TWINE STR SIZE	DIAMETER (MM)	MINIMUM MASKE MESH SIZE (APPROXIMATE) MM	MAXIMUM MASKEMESH SIZE (APPROXIMATE) MM	BRUDD STYRKE BREAKING STRENGTH PER BAR OF NETTING LB KG	
78UCP420160	420 ply	7.1	160	9999	1190	540
78UCP800123	800 ply	9.8	123	9999	2337	1060
78UCP1000133	1000 ply	10.8	133	9999	2734	1240
78UCP1000137	1000 ply	10.8	137	9999	2734	1240

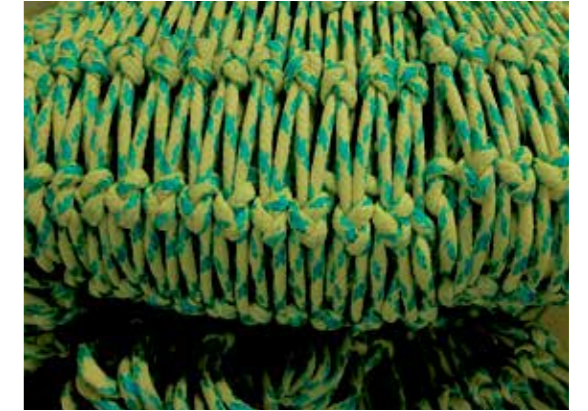


EUROLINE PREMIUM

Euroline premium

Singel masker isteden for dobbel
Mindre tråd
Lavere drivstoff utgifter

*Singel mesh in stead og double
Smaller twine
Lower fuel consumption*



VARENR PART NO	NAVN NAME	STØRRELSE DIAMETER MM	VEKT RUNNAGE MTR/KG	BRUDD STYRKE BREAKING STRENGTH KG
78EP13380H	133 MM INV. PREMIUM MELT CORE 8 MM	8.0	36	1117
78EP13880	138 MM INV. EUROLINE PREMIUM 8 MM	8.0	36	1117
78EP13880H	138 MM INV. PREMIUM MELT CORE 8 MM	8.0	36	1117

SICORNETE, HOT MELT

Sicornete, hot melt

Singel masker isteden for dobbel
Mindre tråd
Lavere drivstoff utgifter

*Singel mesh in stead og double
Smaller twine
Lower fuel consumption*



VARENR PART NO	NAVN NAME	STØRRELSE DIAMETER MM	VEKT RUNNAGE MTR/KG	BRUDDSTYRKE BREAKING STRENGTH KG
78PFP12380	123 MM INV. SICOR MELTCORE	8.0	-	975
78PFP13380	133 MM INV. SICOR MELT CORE	8.0	-	975
78PFP13880	138 MM INV. SICOR MELTCORE	8.0	-	975
78PFPV12380	123 MM INV. SICORNETE	8.0	-	975
78PFPV13880	138 MM INV. SICORNETE	8.0	-	975
78PFPV14580	145 MM INV. SICORNETE	8.0	-	975



NYLONLIN

Nylon net

God maske stabilitet
 Utmerket holdbarhet
 Gode forlengelses egenskaper
 God slitestyrke
 God støtdemping evne

Specially treated

Good mesh stability

Excellent durability

Good elongation properties

Good abrasion resistance

Good shock absorption capability



PLY	TREAD TRÅD	RUNNAGE METER PR KG	BREAKING LENGTH BRUDDSTYRKE KG
210/12	4	3386	18.0
210/18	6	2207	28.0
210/24	8	1626	38.0
210/36	12	1075	57.0
210/42	14	882	66.0
210/48	16	790	77.0
210/54	18	686	86.0
210/60	20	632	95.0
210/72	24	527	115.0
210/108	36	348	169.0
210/168	56	220	253.0

Tolerance: +/- 5% min.

BONETT

Garnish panel

God maske stabilitet
 Utmerket holdbarhet
 Gode forlengelses egenskaper
 God slitestyrke
 God støtdemping evne

Specially treated

Good mesh stability

Excellent durability

Good elongation properties

Good abrasion resistance

Good shock absorption capability



NYLONLIN

Nylon net

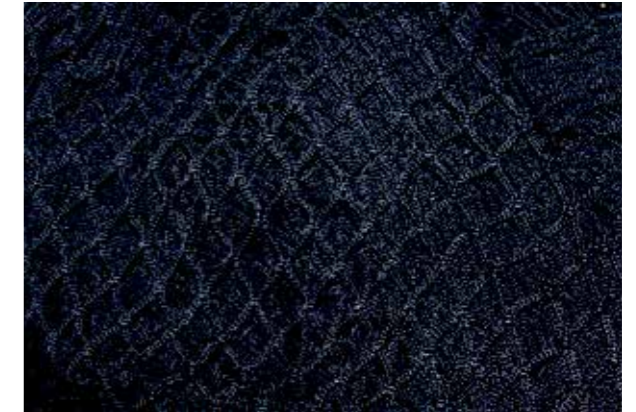
Nettet laget av høy fasthet, UV-bestendig garn
 Netting og tau er forbehandlet og stabilisert
 Minimal krymping
 Utmerket vannføring

Netting made from high tenacity, Uv resistant yarn

Netting and ropes are pre-treated and stabilized

Minimal shrinkage

Excellent water flow



STYRKE AV NOT LIN	
TRÅD NR	MINSTE BRUDDSTYRKE KG
5	21
6	25
8	31
10	39
12	47
14	55
16	63
18	71

STYRKE AV NOT LIN	
TRÅD NR	MINSTE BRUDDSTYRKE KG
20	79
24	95
28	106
32	117
36	136
40	151
46	170
52	190



GARN

Yarn

SEIGARN 0,60 55/60 - 70 MED EKSTRA GARNERING

Saithe yarn



SEIGARN 0,60 55/60 - 66 MM MED EKSTRA GARNERING

Saithe yarn



TORSKEGARN 0,60 55/50 - 93 MM

Cod yarn



TORSKEGARN 0,60 55/44 - 100 MM

Cod yarn



LANKA SUPER 3,0 MM 250 SNUERE 2 METER

Longline



LANKA SUPER 2,0 MM 200 SNUERE 2,5 METER

Longline



LANKA LINE 3,5 MM 414 SNUERE 1,3 M 540 METER

Longline



LANKA LINE 4,5 MM 414 SNUERE 1,3 M 540 METER

Longline





KNOPET FORSYN 0,80 6065 5/0

Bait line 0,80 6065 5/0



KNOPET FORSYN 0,70 6065 5/0

Bait line 0,70 6065 5/0



FLYTETAU FOR GARN FRA 11 MM TIL 25 MM

Floating rope from 11 mm to 25 mm



NOTATER

OPPDRETTsutSTYR

FORTØYNING S. 249

DATABASER S. 250

NOTPOSER S. 251

NOTPOSER DIMENSJONSKLASSE 0 S. 252

SERVICE S. 253

AQUARING S. 245

FJELLBOLT S. 245

KOBLINGSPLATE S. 245

FUGLENETT S. 255

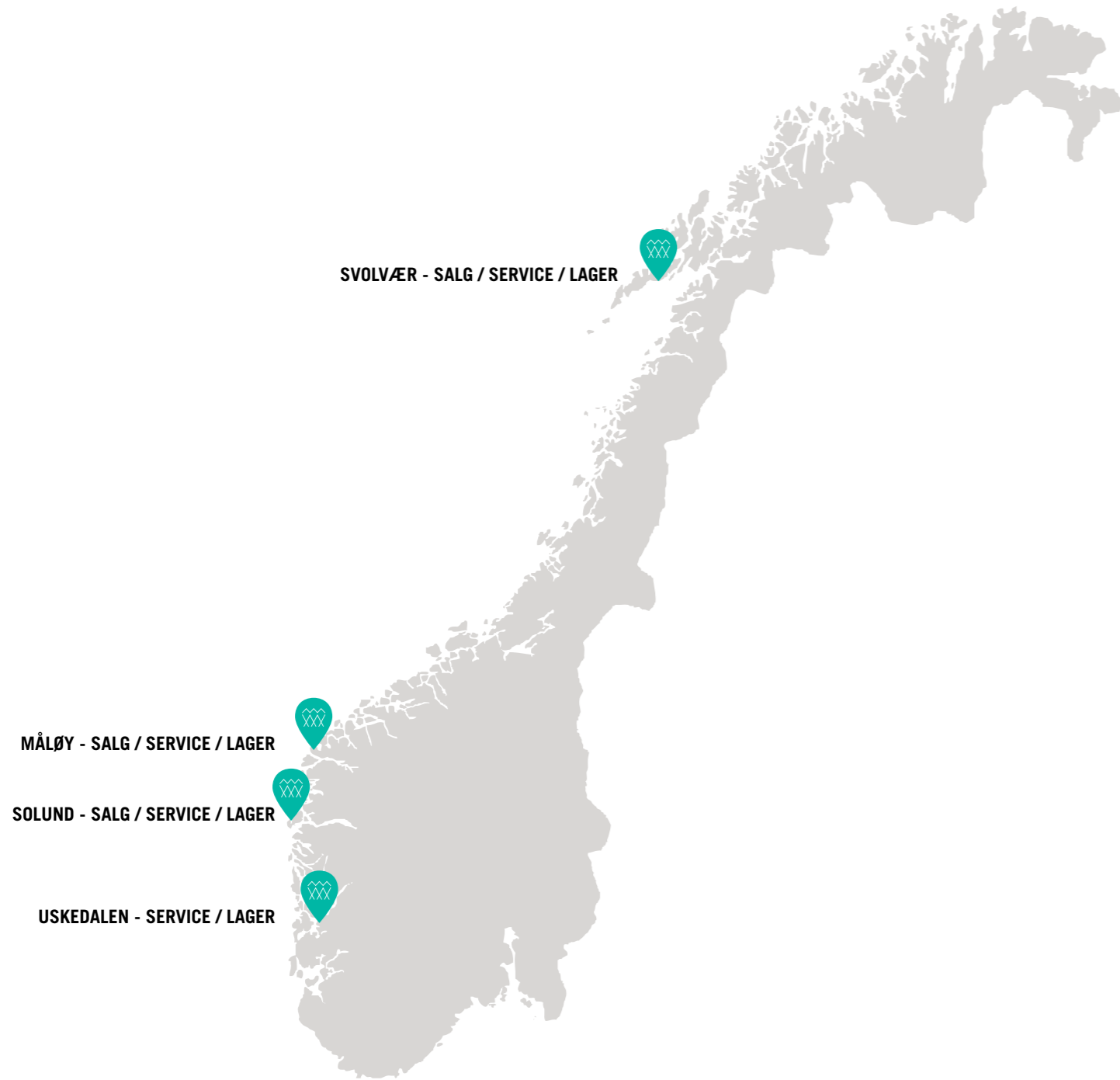
HÅVER S. 257

UTSTYR TIL RENSEFISK S. 258

LUSESKJØRT S.258



AVDELINGER OPPDRETT



OPPDRETTsutstyr

Selstad har vært leverandør til oppdrettsnæringen siden 1985, og har fulgt næringens utvikling nøye siden den gang. Vi tilbyr et bredt spekter av produkter og tjenester som er basert på mange års erfaring, og tar sikte på å være en foretrukket leverandør med gode løsninger, ideer og priser. Som totalleverandør til oppdrettsnæringen kan Selstad tilby analyser av nye anlegg, vasking, bøting, impregnering og leveranser av oppdrettsposer og fortøyningsutstyr.

FORTØYNING

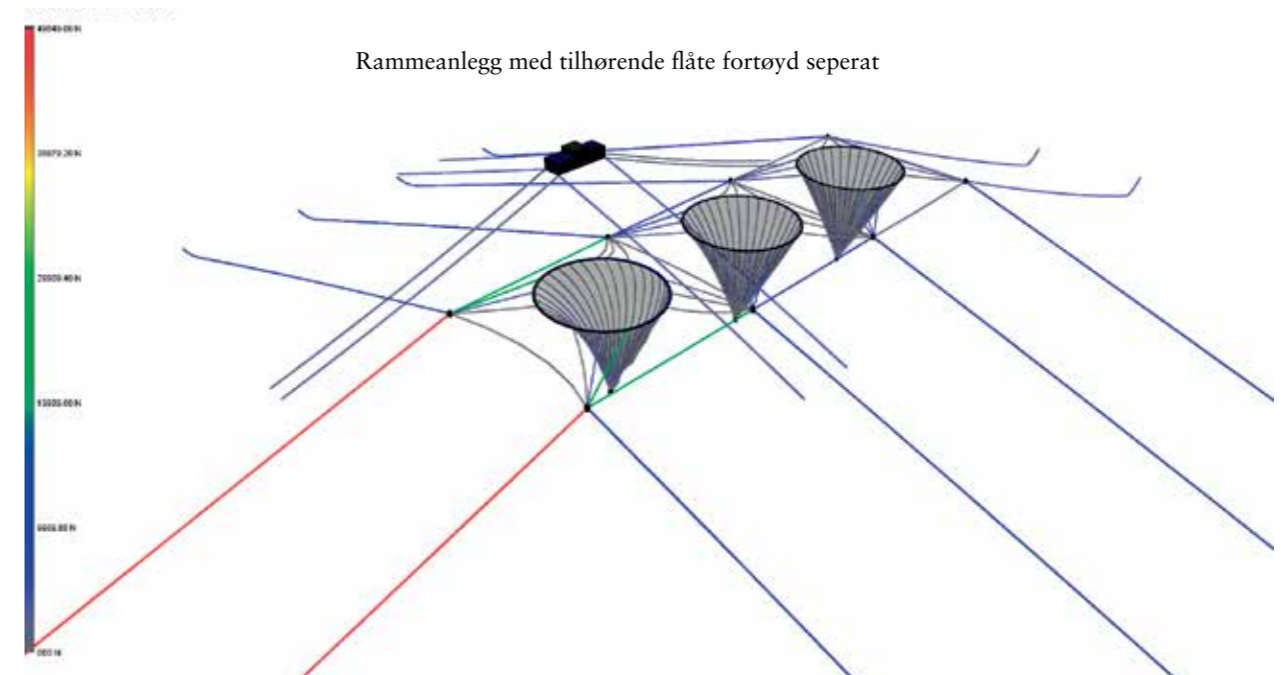
Selstad leverer komponenter til komplette fortøyningskonfigurasjoner i tillegg til modellering og analysing av fortøyningssammensetningen. Vi er behjelpelige med skisser og tegninger i planleggingsstadiet og leverer også komplett utlagte anlegg.

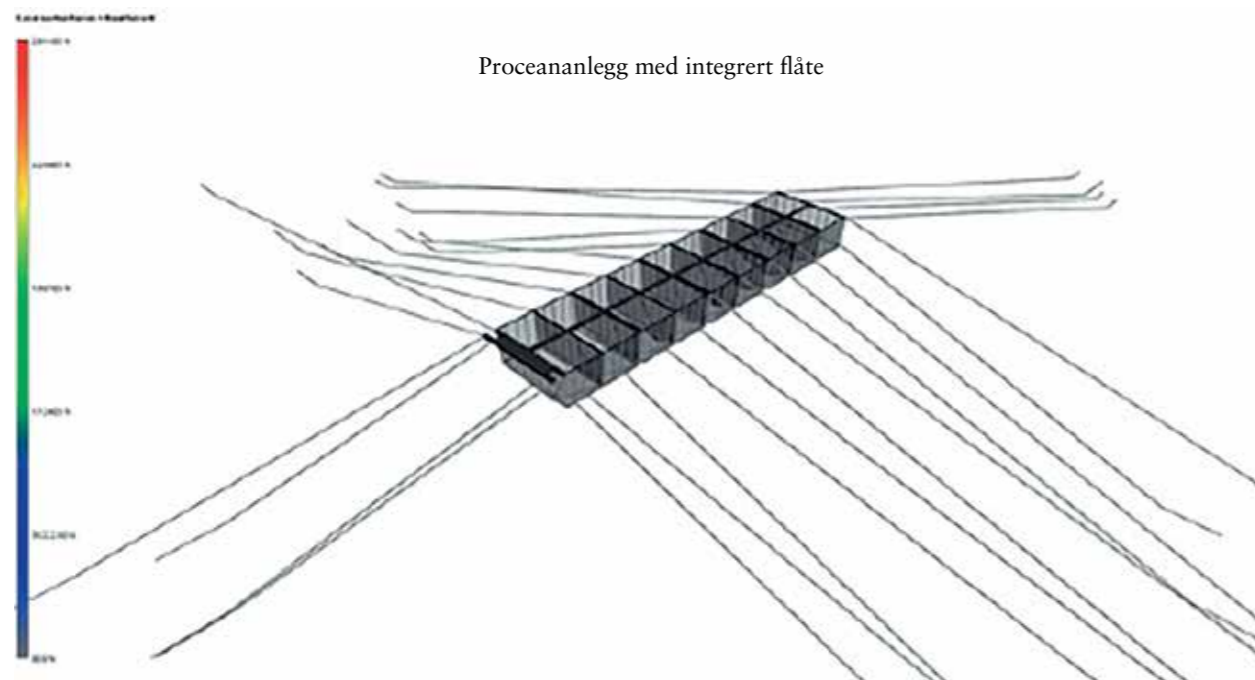
Alle fortøyningskomponenter som leveres til oppdrettsnæringen er produktsertifiserte i henhold til NS9415.

Pålitelighetsklasse for henholdsvis flytekrage/notpose og fortøyning i forhold til antall fisk:

Antall fisk i flytekrage/notpose	Antall fisk i felles fortøyning	Pålitelighetsklasse
n < 500 000 individer	n < 1 000 000 individer	2
n ≥ 500 000 individer	n ≥ 1 000 000 individer	3

For flytende oppdrettsanlegg i pålitelighetsklasse 3 kreves normalt en utvidet kontroll av prosjektering og utførelse. Dette skal utføres av et annet foretak enn foretaket som utførte arbeidet.





DATABASER

Selstad servicedatabase holder oversikt over kundens poser som er inne til service. Her finner kunden informasjon om hvor langt posen er kommet i serviceprosessen og man kan også hente ut tilhørende brukerhåndbok, sertifikat og servicekort.

Sertifikatdatabase «Utstørsportalen» hjelper kundene med å holde orden på sertifikater for sine produkter. Sertifikatene blir generert direkte inn på kundens egen side hvor man får tilgang gjennom en PC eller nettbrett.

Selstad Logg er en interaktiv tjeneste som er bygget opp for å sette dokumentasjon i system. Det har vært et behov i næringen for et system som samler alt av dokumentasjon på en plass, og dette er et behov som Selstad Logg kan dekke. Loggen tilbyr også elektroniske sjekklister som utarbeides i samråd med kunde. Vi har laget et verktøy som er veldig brukervennlig slik at oppdretter skal bruke minimalt med tid på dokumentbehandling



NOTPOSER

Selstad produserer mange typer oppdrettsposer, og vi setter nytenking høyt for å finne riktige løsninger som er basert på kundens behov. Dette inkluderer alt fra posedesign til valg av materiale. Alle våre poser er sertifiserte i henhold til NS9415, og det blir foretatt Klasse 0 analyser hvor dette kreves.

Dimensjonsklasser for notposer

Dybde notpose m	Omkrets							
	< 49	50-69	70-89	90-109	110-129	130-149	150-169	170 <
0 – 15	I	II	III	IV	V	V	VI	0
15.1 – 30	II	II	IV	IV	V	VI	VII	0
30.1 – 40	III	III	IV	IV	V	VI	VII	0
40 <	0	0	0	0	0	0	0	0

Dimensjonsklasser for og bruddstyrker på notlin

Halvmaske 1) Mm	Dimensjonsklasser							
	I	II	III	IV	V	VI	VII	0
Kg	Minste maskestyrke i notpose							
≤ 6.0	21	21	25	25	25	25	25	25
6.0-8.0	25	31	31	39	39	39	39	39
8.1-12.0	31	39	47	55	55	55	55	55
12.1-16.5	39	47	55	63	71	71	79	79
16.6-22.0	47	63	79	79	79	95	95	95
22.1-29.0	63	71	95	95	117	136	136	136
29.1-35.0	95	95	117	117	136	136	151	151

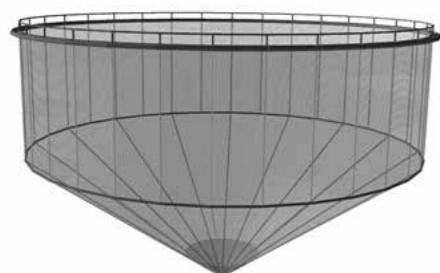
1)Halvmasker i notlin med firkantmasker skal måles i henhold til NS-EN ISO 1107. Ved bruk av notlin med sekskantmasker benyttes omregningstabell H.1 i tillegg H. (NS9415)

Dimensjonsklasse og krav til tau

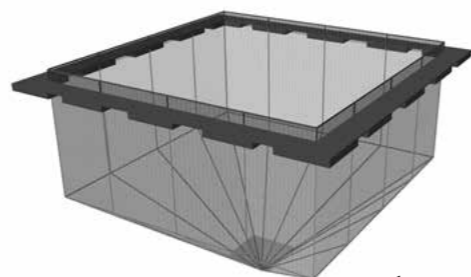
Minste bruddstyrke alle tau	Dimensjonsklasser							
	I	II	III	IV	V	VI	VII	
	1900kg	1900kg	2800kg	3400kg	4100kg	4100kg	5000kg	
Topptau	Min.ant:	1	1	1	1	1	1	1
Hovedtau	Min.ant:	1	1	1	1	1	1	1
Bunntau	Min.ant:	1	1	1	1	1	1	1
Sidetau/ Innfestning- spunkt	Maks avstand:	7.6 m	7.5 m	6.5 m	6.5 m	5.0 m	5.0 m	5.0 m
Herav løftetau	Maks avstand:	15.0m	15.0m	19.5m	13.0m	15.0m	15.0m	10.0m
Krysstau bunn	Krav:	Alle løftetau SKAL fortsette som krysstau i bunnen.						

**NOTPOSER DIMENSJONSKLASSE 0**

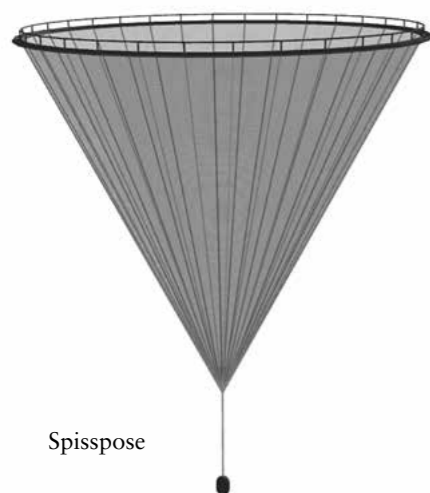
For lokaliteter med signifikant bølgehøyde over 2,5 meter eller en dimensjonerende strømverdi på 0,75 cm/s, settes dimensjonsklassen til 0. Det er da nødvendig med en egen analyse for notposen slik at kapasiteten kontrolleres opp mot miljøbelastningene for den gitte lokaliteten.



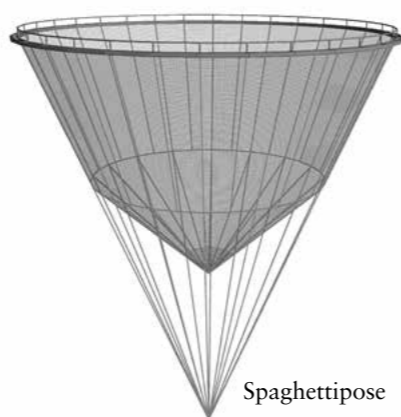
Konvensjonell sirkulær pose



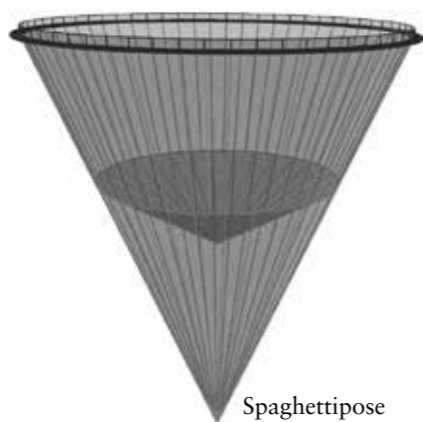
Firkantpose



Spisspose



Spaghettipose

Spaghettipose
Med lin på spagetti.**SERVICE**

Vi har i dag tre sertifiserte stasjoner; en i Solund, en i Måløy og en i Svolvær. Ved servicestasjonene tilbyr vi service på oppdrettsposer i form av vasking, bøting, impregnering og tørking av posene.

Noten strekktestes for å kontrollere restverdien i forhold produktsertifikatet. Noten blir sertifisert i forhold til restbruddstyrke som vist i tabellen under.

Restbruddstyrke	Gyldighet
100%	24 mnd
65% - 100%	12 mnd

OMBYGGING AV POSER / REBUILDING OF CAGES**REPARASJON AV POSER / REPAIR OF CAGES****VASKEANLEGG FOR POSER / CLEANING OF CAGES****IMPREGNERING AV POSER / IMPREGNATION / COATING****FUGLENETT / BIRD NETS****FUGLENETTBØYESTENGER / BIRD NET BOWS****ORKASTNOT OG AVKASTNOT /****TØRKEKLØ / DRYING NETS****DØDFISKOPPTAKERE / DEAD FISH COLLECTORS****VASK OG SERVICE AV LUSESKJØRT OG AVLUSNINGSPRESENING / WASHING AND SERVICE OF****LICE SKIRTS AND DELOUSING TARPAULIN**

**AQUARING**

Aquaring



GODS DIAMETER	ANTALL BOLTHULL X DIA	HORISONTAL STREKK LAST	VERTIKAL STREKK LAST	VEKT WEIGHT KG
MM	DIAMETER			
752909175S	175 MM			
752909224S	224 MM			
752909224SB	224 MM			

FJELLBOLT

Rock bolt

GODS DIAMETER	TYPE	LENGDE BOLT UNDER T - / ØYE	T - STÅL ID ØYE	PRØVE LAST	MIN RETT STREKK LAST	VEKT WEIGHT KG
MM		MM		KG		KG
38	T - BOLT	500	42 X 300	28000	60 T	8,7
45	T - BOLT	600	50 X 400	39000	80 T	13,7
57	T - BOLT	600	65 X 460	58000	120 T	27,5

**KOBLINGSPLATE**

Coupling disc

Sertifisert
Certified

GODS DIAMETER	ANTALL BOLTHULL X DIA	HORISONTAL STREKK LAST	VERTIKAL STREKK LAST	VEKT WEIGHT KG		
MM	DIAMETER					
7550FEK140	35	700 MM	16 X 46MM	140 T	80 T	111
7550FEKS	30	700 MM	16 X 38MM	90 T	65 T	96
7550FEKL	26	600 MM	12 X 37MM	50 T	35 T	81

**REMPRO FUGLENETTSTENGER**

Rempro bird net poles

Produktet består av kompakte glassfiberstenger og kraftige stålforsterkede innfestningsholker i polyurethane for innfesting på rekkestøtte eller mellom flyterør i kjettinghull.

Sammensetningen av komponentene glassfiber og polyester gjør stengenes bøyelighet svært fleksibel, da systemet bedre følger flytekragens bevegelser, og dermed reduserer slitasje på taknettet.



Stengene har høy bruddstyrke, og er testet med høy belastning på vekt og bøyeevne.

Stengene leveres komplett med tau og topprinse i følgende dimensjoner; Ø46, Ø50 og Ø54mm. Vårt mest solgte produkt er Ø46mm i 6 m lengde, hvilket er den dimensjonen med mest optimal styrke og bøyelighet.





REMPRO INNFESTINGSHOLKER

Rempro

Innfestingsholkene kan leveres i forskjellige utførelser og dimensjoner, til både runde og firkantede rekkestøtter



REMPRO FESTEBRAKETTER

Rempro

Festebrakett for kjettinghull.
Hylsen settes ned i kjettinghullet.
Stangen tres deretter ned i hullet. Hylsen er konstruert slik at det ikke er nødvendig med ekstra feste for stangen.



REMPRO INNFESTINGSHOLKER

Rempro

Stadig bevegelse i stengene og nettet kan medføre slitasje på innfestingstau. For å redusere slitasjepåvirkningen, er trinsen for innfestingstau i toppen av stangen laget av polyurethane med stålforsterkning.



HÅVER

Håver

Håver produseres i forskjellige størrelser. Etter kundens spesifikasjoner.





UTSTYR TIL RENSEFISK

Equipment for cleaing fish

Selstad rensefiskttunnel:

Kombinasjonsskjul i 2x4m ramme av PE rør. 5 stk 10m leppefiskskjul og 5 stk 10m rognkjekstare. Leveres som komplett system i ramme med alt nødvendig tauverk.

Selstad kombinasjonsskjul:

3 stk 10m leppefiskskjul og 3 stk 10m rognkjekstare. Klargjort med festepunkt for oppdrift og forhalningstau.

Selstad leppefiskskjul:

10m skjul med ring for infesting i begge ender.

Selstad rognkjekstare:

10m remse med ring for innfesting i begge ender.

Leppefiskskjul og rognkjekstare er produsert av plastmateriale som har «food-grade sertificate» det vil si at materialet er godkjent for bruk i matvareindustri.

Selstad rensefisklager: Komplet 2x2m PE ramme og 2,5 m dyp not.

Selstad rensefisknot: 2x2x2,5m not til rensefisk.



SELSTAD LUSESKJØRT

Selstad lice skirt

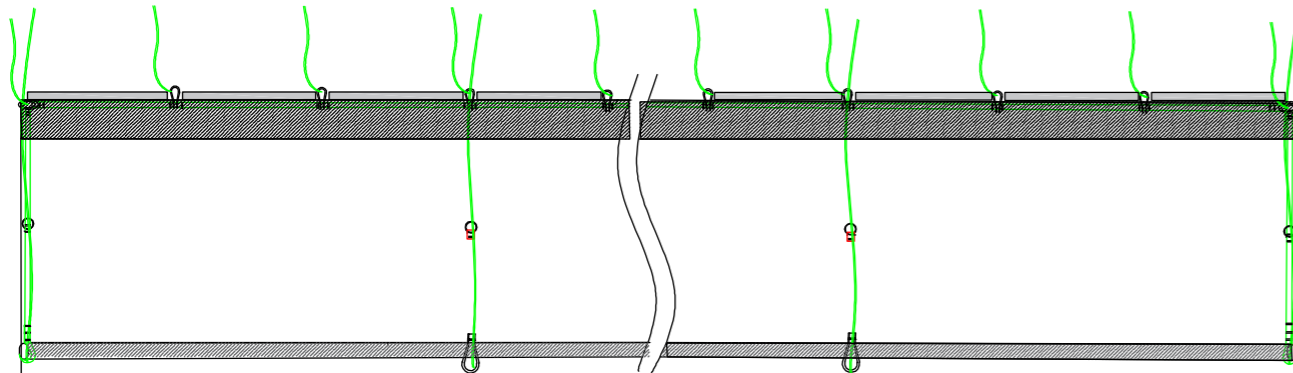
Selstad luseskjørt leveres med standard dybder 5 og 10m.

Våre standard luseskjørt leveres med oppdrift i topp, blytau 4kg/m i bunn, løftetau (gardin) hver 10 meter, system for skjøt/overlapp.

Selstad luseskjørt leveres komplett med tau for innfesting.

Vi tilbyr også nødvendig fortøyningsanalyse for bruk av luseskjørt.

Selstad luseskjørt leveres med brukermanual iht NS 9415.



Illustrasjon kan avvike fra produkt

NOTATER

Lined area for notes.



FISKEREDSKAP OG UTSTYR

SNURPENOT S. 262

STREAMLINE TRÅL S. 265

REKETRÅL S. 272

PELAGISK TRÅL S. 273

TRÅLDØRER S. 274

ROCKHOPPER GEAR S. 283

BOBBINS S. 284

FYLLSTYKKER S. 285

ROCKHOPPER S. 286

STOPPSKIVER S. 286

TRIANGEL S. 287

SORTERINGSRISTER S. 288

PUMPEUTSTYR S. 290

SONDEKABEL S. 291

LABBETUSSER S. 292



SNURPENOT

Purse seine

Selstad leverer snurpenot og alt av tilhørende utstyr; snurpeline, forline, snurperinger og annen jernvare. Avdelinger for ringnot finner du i Måløy, Ålesund, Svolvær og på Sotra. Vi har fagfolk på alle våre avdelinger, og tilbyr reparasjoner, utskiftinger og vedlikehold.

Fiskeriene er i stadig utvikling og vi har jevnlig kontakt med våre kunder da informasjon fra dem gjør at vi kan tilby et kvalitetsprodukt bygget på generasjoners erfaring, samtidig som nye ideer og forbedringer i fellesskap blir utforsket.

Selstad har sterkt fokus på innovasjon og kvalitet. Vi har et tett samarbeid med Garware LTD, som gir unike muligheter til å teste og videreutvikle alt tilfang innenfor ringnot. Dette, kombinert med solide standarder på handverk, gjør oss til en solid leverandør av gode ringnøter.

Selstad supplies all equipment needed for purse seine: purse line, purse rings and other hardware. Our divisions for purse seine are located in Måløy, Ålesund, Svolvær and on Sotra. We have trained staff at all locations and can offer reparations, replacements and maintenance.

The fisheries are constantly in development, and we keep close contact with our customers, as we see them as a rich source of information in order for us to offer the highest quality product, based on generations of cooperation which bring both new ideas and improvements through mutual collaboration

Selstad has a strong focus on innovation and quality. We collaborate closely with Garware LTD, which offers us unique opportunities to test and develop everything within the field of purse seine. When combined with Selstad's solid standards of craftsmanship, this cements our position as a premier supplier of purse seine



SNURPENOT

Purse seine

Selstad har lang erfaring med leveranser av not til kystflåten og havgående ringnotbåter. Innhenting av kunnskap internt så vel som eksternt står sentralt og i kombinasjon med produktutvikling og kvalitet ved montering. Vi legger vekt på vårt nære samarbeid med fiskere, skippere og redere, og bruker dette som grunnlag for alle produkter. I tillegg har våre ansatte drevet med fiske eller jobbet på bøteri i flere tiår, både i inn- og utland. Kvalitet i tauverk og lin, og siste standard som er satt på montering, overgår det som tidligere er levert. Dermed, ved hjelp av erfaringsbasert kunnskap, kan våre nøter møte ethvert krav fra våre kunder.

Nylonlin

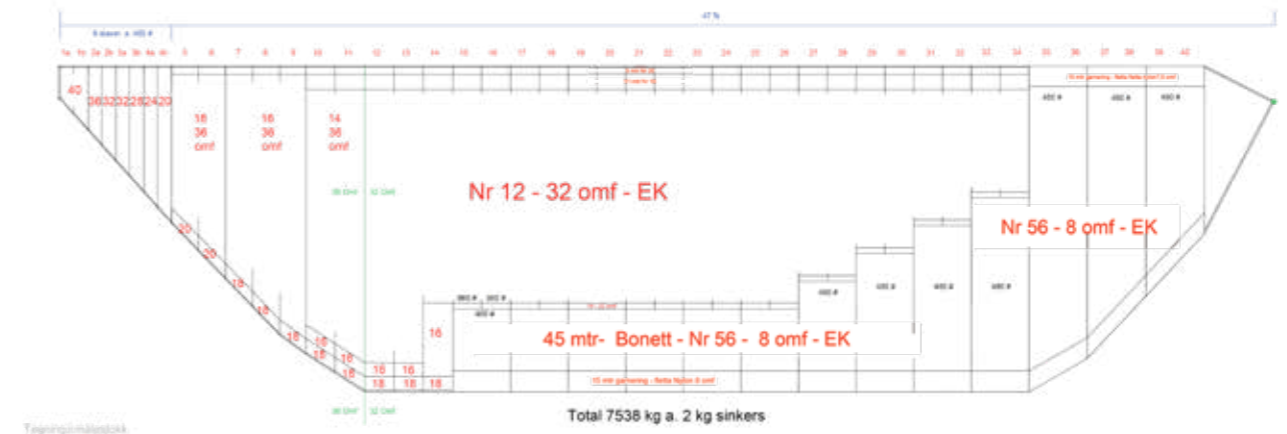
Selstad har fast leverandør av råstoff til notlin, dette for å sikre samme stabile og høye kvaliteten vi alltid har hatt i Norge. Vi har også utviklet en coating som forbedrer nylonlinet, denne gir bedre vanngjennomstrømming over tid, bedre knutefasthet, samtidig som det gir beskyttelse mot UV ståling og slitasje. Kontakt oss gjerne for mer informasjon om dette.

Selstad has many years of experience with deliveries to the coastal fleet as well as to purse seine boats. We consider continuous improvements of our products as an important part of our business, and combine internally and externally collected knowledge with quality of production in order to deliver products of high standard. This is possible through our close collaboration with fishermen, captains and ship owners, and contributes to the quality of all products delivered by Selstad. Additionally, our employees are experienced within their fields, and familiar with our customer's positions and challenges. We strive at providing quality ropes and nets, and with modern assembly techniques, our products are in line with our customer's requirements.

Nylon netting

Selstad have regular supplier of raw materials for netting, this to ensure the same stable and high quality we have always had in Norway.

We have also developed a coating that improves the netting, this gives better water flow over time, better knot strength, while providing protection against UV radiation and abrasion.

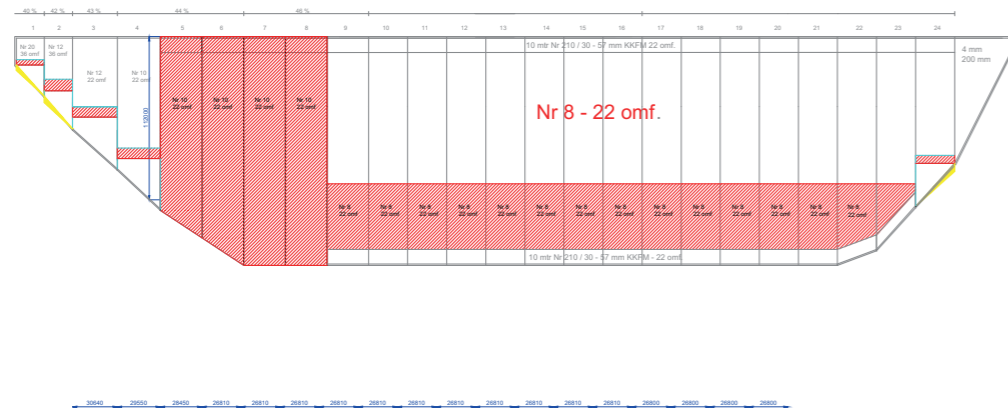




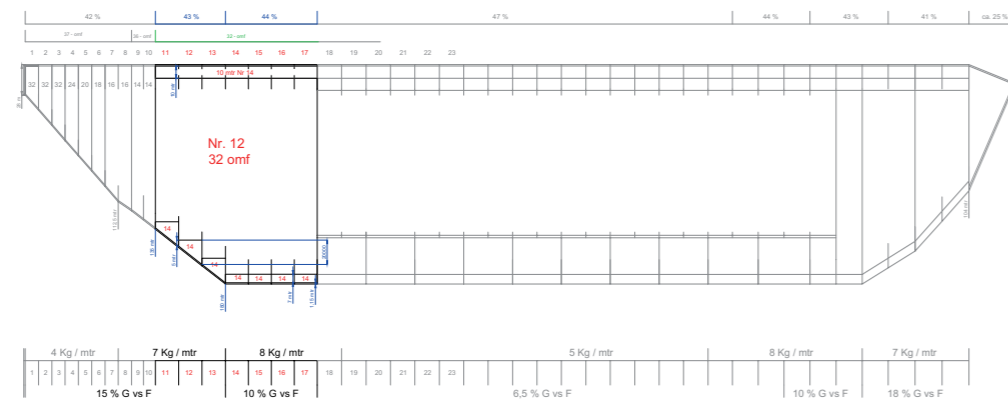
SNURPENOT

Purse seine

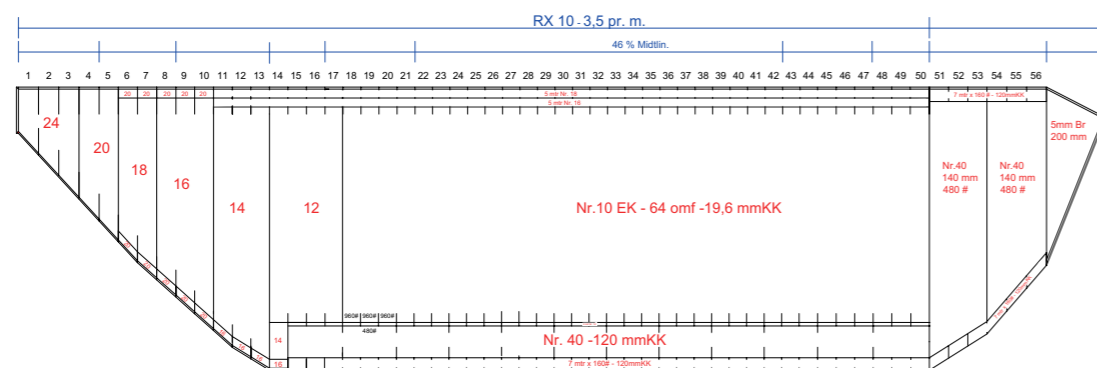
Dypere, lengre
Deeper, longer



Del utskifting
Replacing parts



Komplett
Complete

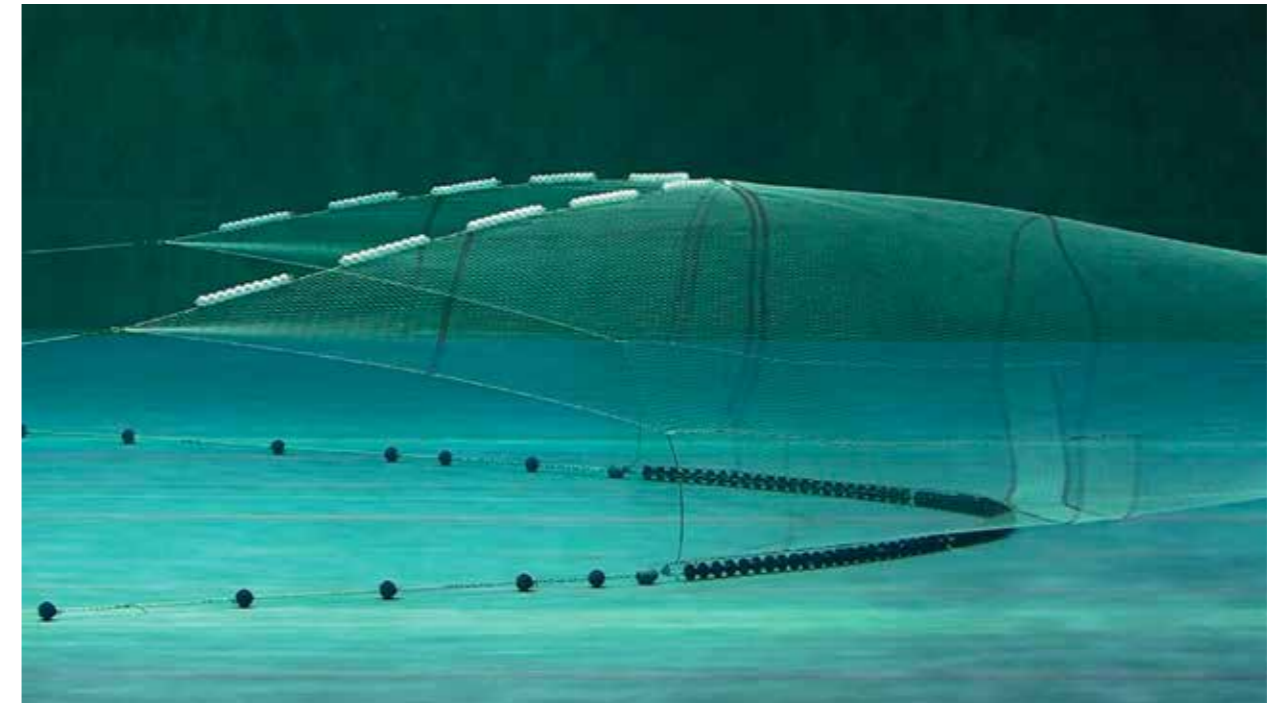


BUNNTRÅL

Bottom trawl

Selstad leverer alt av utstyr til bunntrawl; trålwire, dører, sviper, gear, sorteringsrister, jernvarer, med mer. Våre avdelinger som driver mest med bunntrawl er Måløy, Ålesund og Tromsø.

Selstad supplies all equipment associated with bottom trawling: trawling wire, doors, sweeps/bridles, Rockhopper gear, sorting grids, hardware, etc.. Our divisions that deal most with bottom trawling are Måløy, Ålesund and Tromsø.



De siste tiårene har Selstad GR-trål vært en av de mest brukte trålene i våre farvann, og med stadig videreutvikling av design og materialer var de siste modellene GR-400, GR-444 og GR-520 velrenommerte.

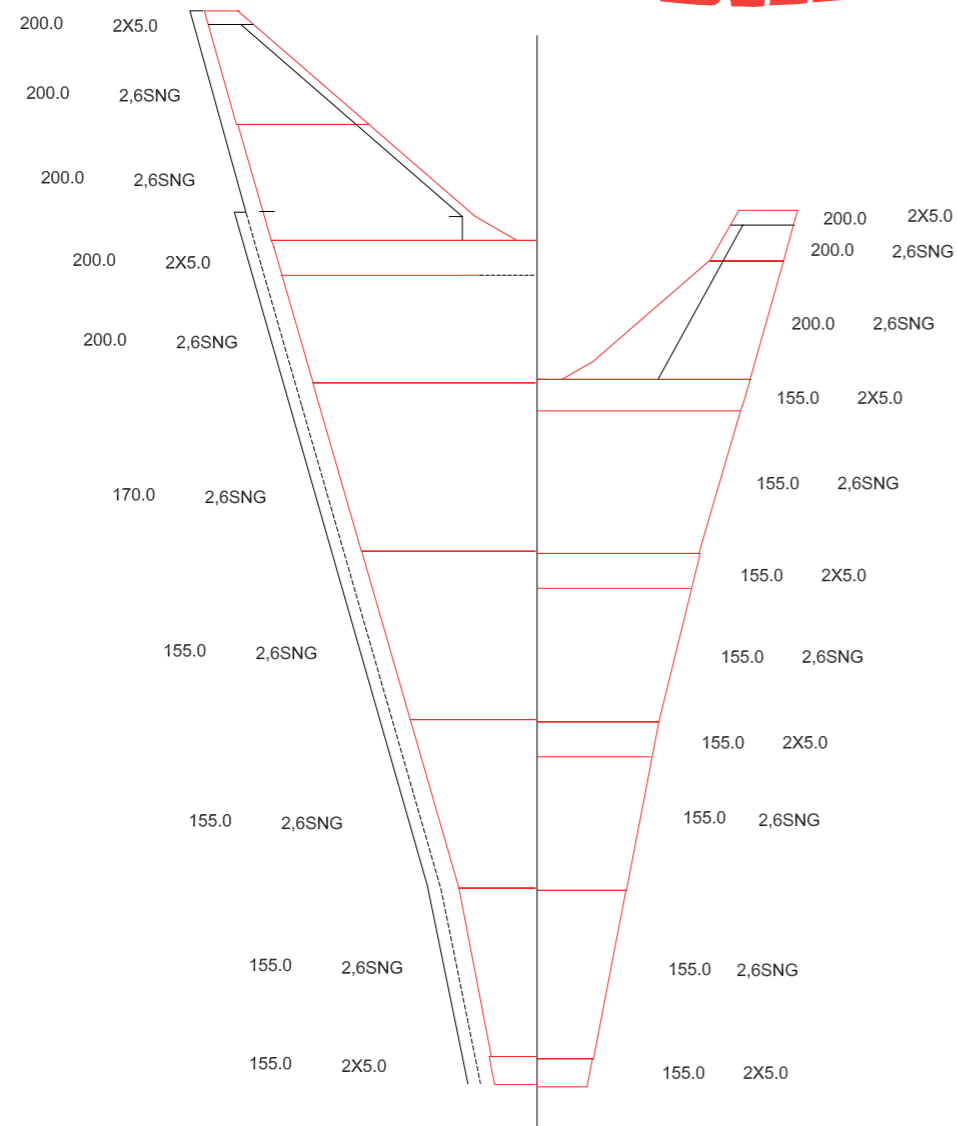
Videre har vi i samarbeid med Garware Wall Rope i India utviklet Streamline nett. Streamline gir mindre tauemotstand med sin gode slitestyrke og tynnere tråd, og har ført oss frem til dagens Streamline trål. Denne produserer vi i mange forskjellige størrelser; Streamline 470, 536 og 630 står sterkt blant våre suksessstråler, og nå også Streamline 810 som gir mer høyde for bedre fangst av blant annet hyse og sei.

In the last decades, Selstad GR-trawl has been one of the most used trawls in Norwegian waters, and our constant focus on development of design and materials has meant that the latest models GR-400, GR-444 and GR-520 were well-received.

Futhermore, in collaboration with Garware Wall Rope in India, we have developed Streamline net. Streamline reduces the towing resistance with its increased durability and thinner thread, leading us to the current Streamline trawl. We produce in many different sizes: Streamline 470, 536 and 630 are some of our most successful models, as well as Streamline 810 which provides more height to increase success rates of haddock and saithe catches.

**SELSTAD 810 STREAMLINE TRÅL**

Selstad 810 Streamline trawl



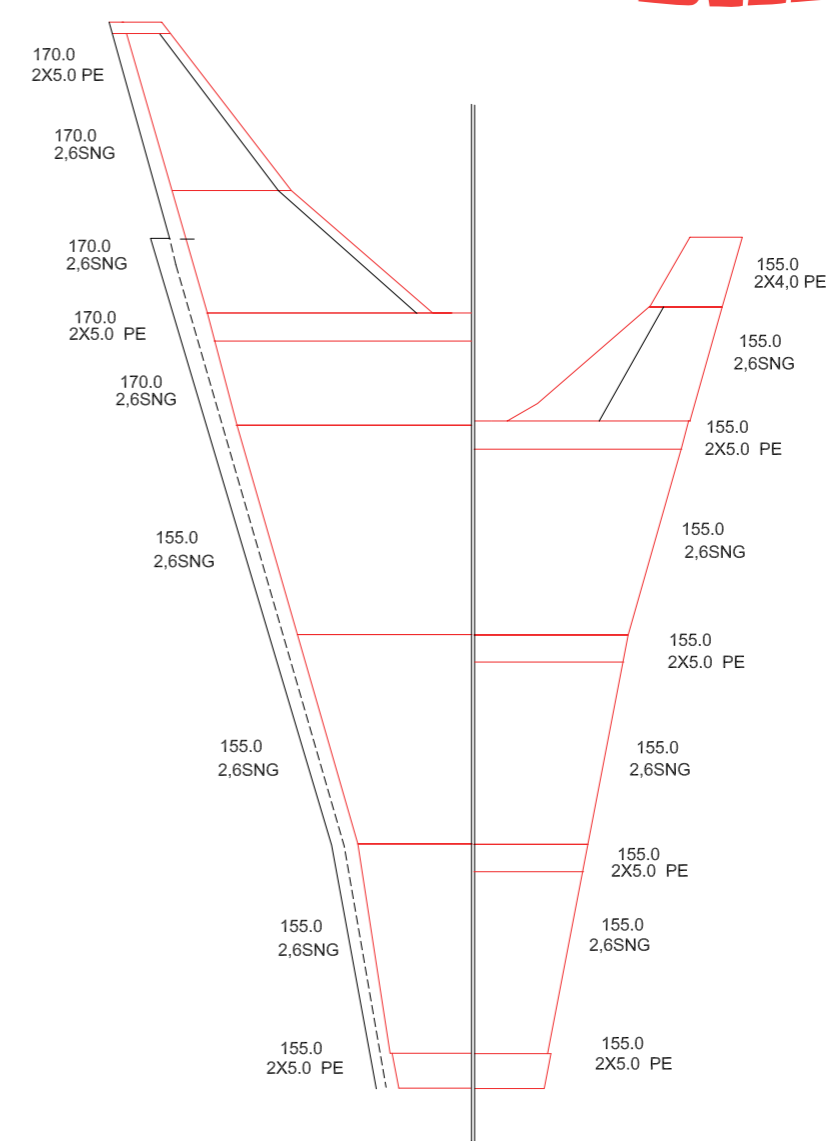
– FOR LØNNSOMT
FISKE

SELSTATRÅL

VARE NR PART NO	VARENAVN	PART NAME
1010810S	810 / 155 - 630 / 200 MM SELSTAD STREAMLINE	810 / 155 - 630 / 200 MM SELSTAD STREAMLINE
101281017026O10S	OVERBELG 1.SEKSJ. 810 170 MM 2,6 MM	OVER BELLY 1.SECT. 810 170 MM 2,6 MM
101281015526O20S	OVERBELG 2.SEKSJ. 810 155 MM 2,6 MM	OVER BELLY 2.SECT. 810 155 MM 2,6 MM
101281015526O30S	OVERBELG 3.SEKSJ. 810 155 MM 2,6 MM	OVER BELLY 3.SECT. 810 155 MM 2,6 MM
101281015526O40S	OVERBELG 4.SEKSJ. 810 155 MM 2,6 MM	OVER BELLY 4.SECT. 810 155 MM 2,6 MM
101281020026OVS	OVERVING. 200 MM TIL 810 I 2,6 MM	OVERVING. 200 MM TIL 810 I 2,6 MM
101281015526U10S	UNDERBELG 1.SEKSJ. 810 155 MM 2,6 MM	UNDER BELLY 1.SECT. 810 155 MM 2,6 MM
101281015526U20S	UNDERBELG 2.SEKSJ. 810 155 MM 2,6 MM	UNDER BELLY 2.SECT. 810 155 MM 2,6 MM
101281015526U30S	UNDERBELG 3.SEKSJ. 810 155 MM 2,6 MM	UNDER BELLY 3.SECT. 810 155 MM 2,6 MM
101281015526U40S	UNDERBELG 4.SEKSJ. 810 155 MM 2,6 MM	UNDER BELLY 4.SECT. 810 155 MM 2,6 MM
101281020026UVS	UNDERVING. 810 M/GAR 200 MM 2,6 MM	UNDER WINGS. 810 W/GAR 200 MM 2,6 MM
101281020026OTRS	TAK. 810 200 MM 2,6 MM	SQUARE. 810 200 MM 2,6 MM

**SELSTAD 630 STREAMLINE TRÅL**

Selstad 630 Streamline trawl



– FOR LØNNSOMT
FISKE

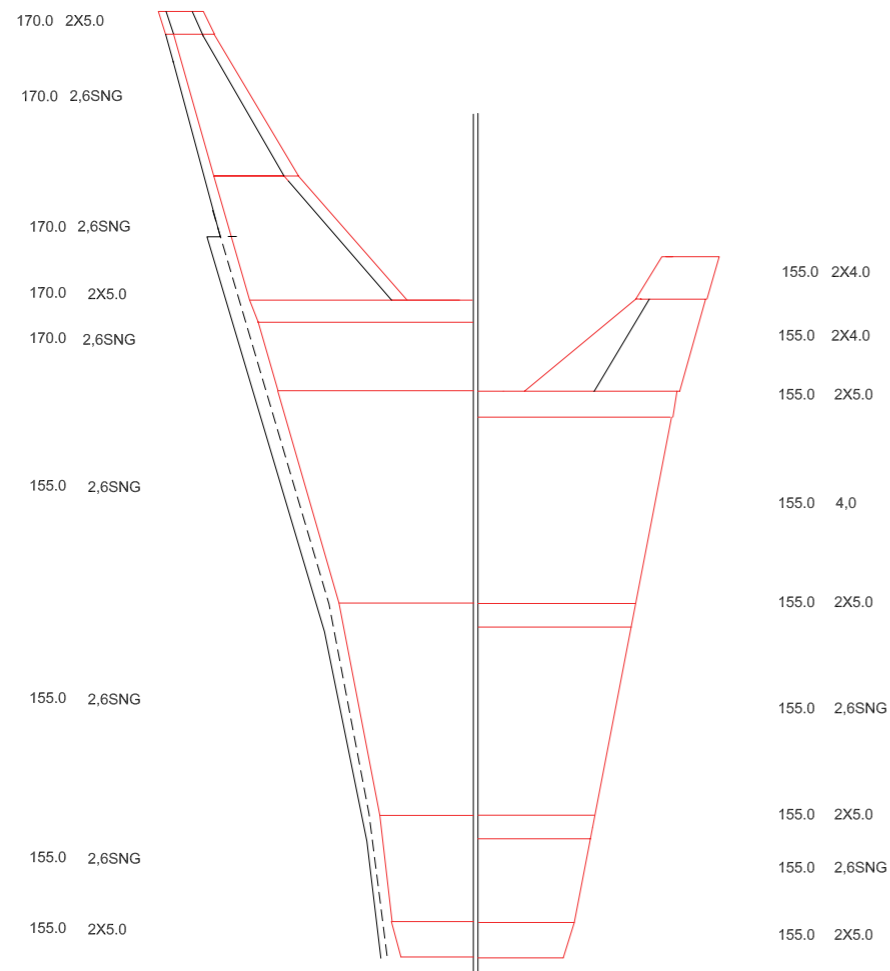
SELSTATRÅL

VARE NR PART NO	VARENAVN	PART NAME
1010630S	630 / 155 MM SELSTAD STREAMLINE	630 / 155 MM SELSTAD STREAMLINE
101263015526O10S	OVERBELG 1.SEKSJ. 630 155 MM 2,6 MM	OVER BELLY 1.SECT. 630 155 MM 2,6 MM
101263015526O20S	OVERBELG 2.SEKSJ. 630 155 MM 2,6 MM	OVER BELLY 2.SECT. 630 155 MM 2,6 MM
101263015526O30S	OVERBELG 3.SEKSJ. 630 155 MM 2,6 MM	OVER BELLY 3.SECT. 630 155 MM 2,6 MM
101263017026OVS	OVERVING 170 MM. 630 155 MM 2,6 MM	OVER WING 170 MM. 630 155 MM 2,6 MM
101263015526U10S	UNDERBELG 1.SEKSJ. 630 155 MM 2,6 MM	UNDER BELLY 1.SECT. 630 155 MM 2,6 MM
101263015526U10S	UNDERBELG 2.SEKSJ. 630 155 MM 2,6 MM	UNDER BELLY 2.SECT. 630 155 MM 2,6 MM
101263015526U30S	UNDERBELG 3.SEKSJ. 630 155 MM 2,6 MM	UNDER BELLY 3.SECT. 630 155 MM 2,6 MM
101263015526UVS	UNDERVING. 630 M/GARNERING 155 MM 2,6 MM	UNDER WINGS. 630 M/GAR 155 MM 2,6 MM
1012630UV	UNDERVING. 630 PE LIN	UNDER WINGS. 630 PE LIN
101263017026OTRS	TAK. 630 170 MM 2,6 MM	SQUARE. 630 170 MM 2,6 MM

**SELSTAD 536 STREAMLINE TRÅL**

Selstad 536 Streamline trawl

2500 HP+



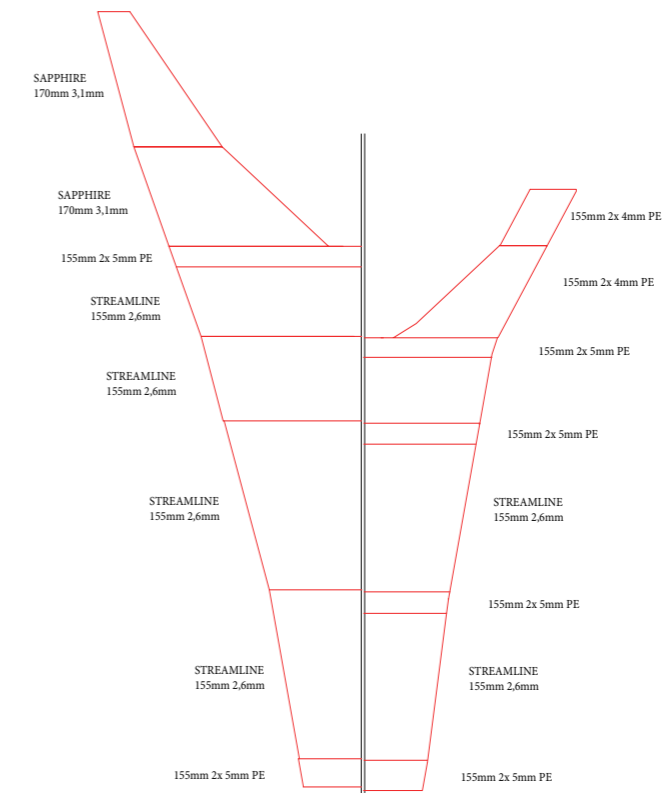
VARE NR PART NO	VARENAVN	PART NAME
1010536S	536 / 155 MM SELSTAD STREAMLINE	536 / 155 MM SELSTAD STREAMLINE
101253615526O10S	OVER BELG 1. SEKSJ. 155MM 2,6 MM	OVER BELLY SECT 1 .155MM 2,6 MM
101253615526O20S	OVER BELG 2. SEKSJ. 155MM 2,6 MM	OVER BELLY SECT 2. 155MM 2,6 MM
101253615526O20S	OVER BELG 3. SEKSJ. 155MM 2,6 MM	OVER BELLY SECT 3. 155MM 2,6 MM
101253615526OTRS	OVER VINGER 155 MM 2,6 MM	OVER BELLY WINGS 155 MM 2,6 MM
101253615526U10S	UNDER BELG 1. SEKSJ. 155 MM 2,6 MM	UNDER BELLY SECT 1. 155 MM 2,6 MM
101253615526U20S	UNDER BELG 2. SEKSJ. 155 MM 2,6 MM	UNDER BELLY SECT 2. 155 MM 2,6 MM
101253615526U30S	UNDER BELG 3. SEKSJ. 155 MM 2,6 MM	UNDER BELLY SECT 3. 155 MM 2,6 MM
1012536155UVS	UNDER VINGER 155 MM	UNDER WINGES 155 MM
1012536170OTRS	TAK 170 MM	SQUARE 170 MM

– FOR LØNNSOMT
FISKE
SELSTATRÅL

SELSTAD 520 TRÅL

Selstad 520 trawl

3000 HP+



VARE NR PART NO	VARENAVN	PART NAME
1010520170SKBS	520 / 170 MM GR SELSTAD TRÅL	520 / 170 MM GR SELSTAD TRÅL
1010520SKBS	520 / 155 MM GR SELSTAD TRÅL	520 / 155 MM GR SELSTAD TRÅL
1012520170O10S	OVER SEKSJON 1.	OVER SECTION 1.
1012520170O20S	OVER SEKSJON 2.	OVER SECTION 2.
1012520170O30KBS	OVER SEKSJON 3.	OVER SECTION 3.
1012520O10E	OVER SEKSJON 1. I PE	OVER SECTION 1. I PE
1012520O20E	OVER SEKSJON 2. I PE	OVER SECTION 2. I PE
1012520O30E	OVER SEKSJON 3. I PE	OVER SECTION 3. I PE
1012520OBKS	OVER SEKSJON KOMPLETT	OVER SECTION KOMPLETT
1012520OVE	OVER VINGER 155 MM	OVER WINGS 155 MM
1012520OVS	OVER VINGER 170 MM	OVER WINGS 170 MM
1012520OTRS	TAK M/ RIVERSTRIPE	SQUARE W/GARNISH
1012520U10	UNDER SEKSJON 1.	UNDER SECTION 1.
1012520U20	UNDER SEKSJON 2.	UNDER SECTION 2.
1012520U30RKB	UNDER SEKSJON 3.	UNDER SECTION 3.
1012520URKBBKOM	UNDER SEKSJON 1+2+3	UNDER SECTION 1+2+3
1012520UV	UNDERVINGER	UNDER WINGS

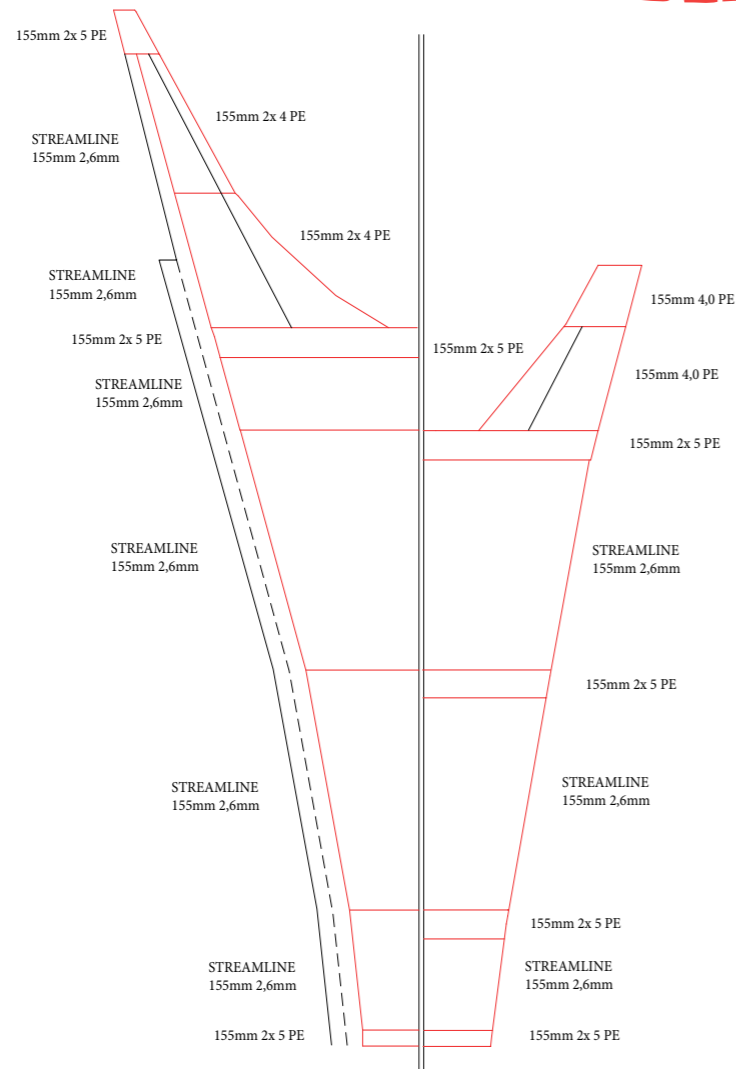
– FOR LØNNSOMT
FISKE
SELSTATRÅL

Selstad sin 520 trål er meget godt mottatt i markedet. Trålen har vist seg å ha svært god stabilitet og fiskelighet. The 520 trawl from Selstad has been very well received in the market. The trawl is very stable and catch improving compared to similar trawls from other trawl manufacturers.

**SELSTAD 470 TRÅL**

Selstad 470 trawl

1500 HP+

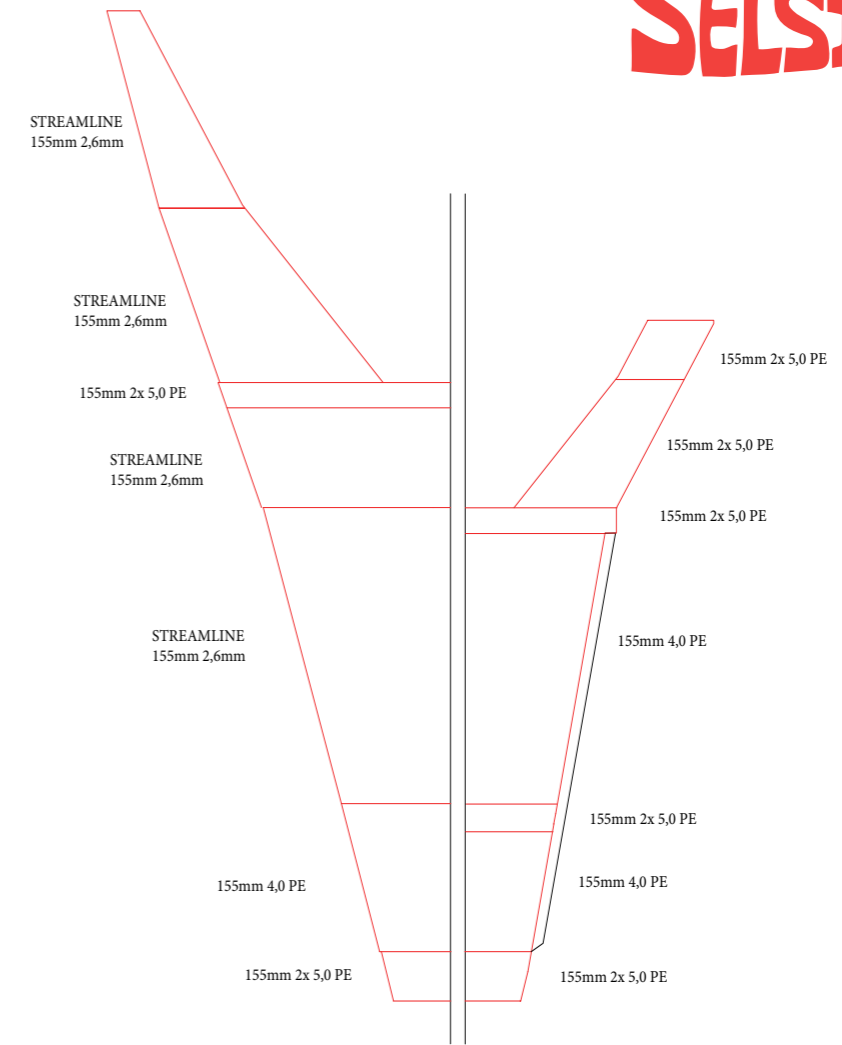


– FOR LØNNSOMT
FISKE
SELSTATRÅL

SELSTAD 444 TRÅL

Selstad 444 trawl

1500 HP+



– FOR LØNNSOMT
FISKE
SELSTATRÅL

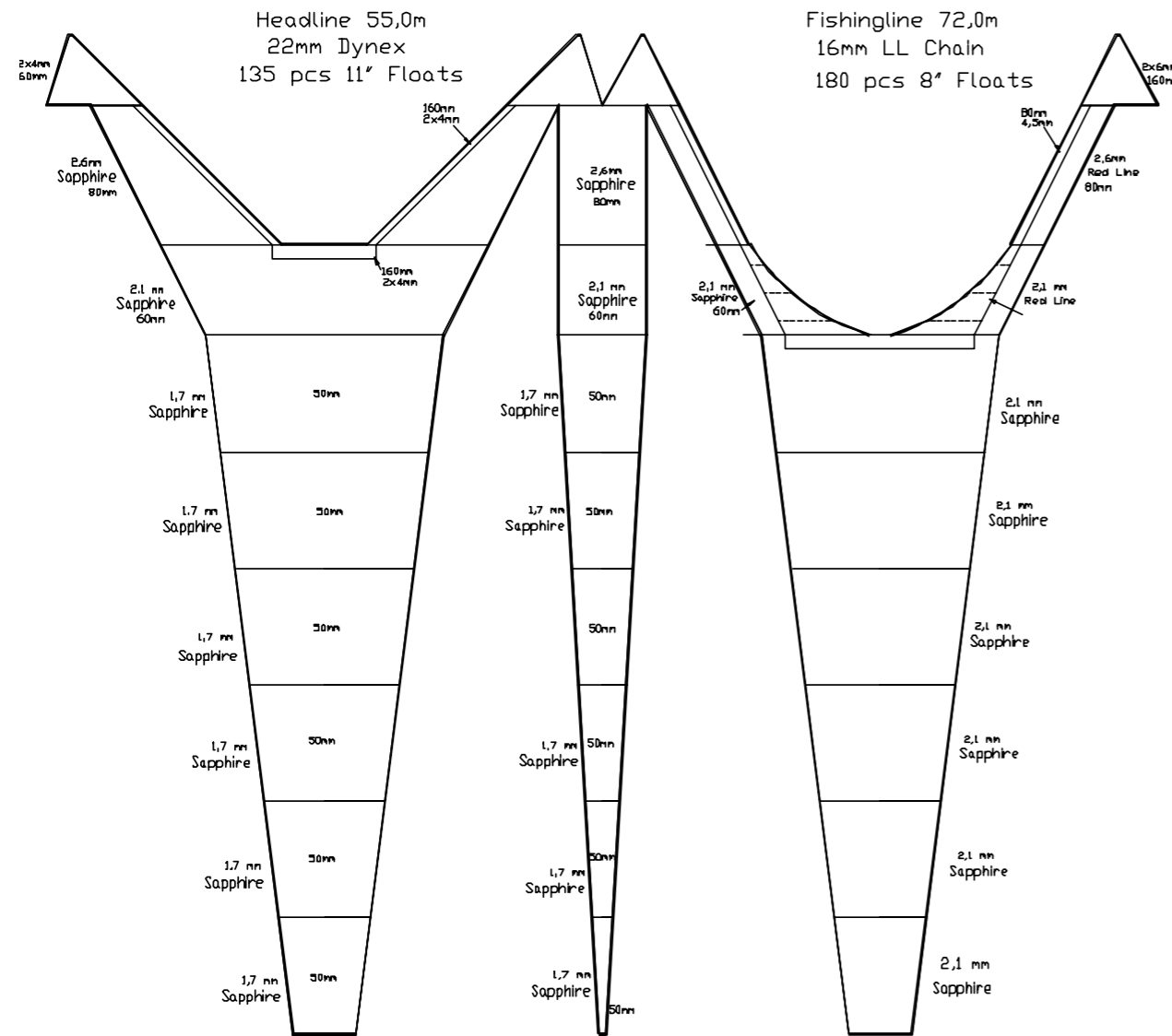
VARE NR PART NO	VARENAVN	PART NAME
1010470S	470 / 155 MM SELSTAD STREAMLINE	470 / 155 MM SELSTAD STREAMLINE
101247015526O10S	OVERBELG 1. SEKSJ. 155 MM 2,6 MM	OVER BELLY 1. SECT 155 MM 2,6 MM
101247015526O20S	OVERBELG 2. SEKSJ. 155 MM 2,6 MM	OVER BELLY 2. SECT 155 MM 2,6 MM
101247015526O20S	OVERBELG 3. SEKSJ. 155 MM 2,6 MM	OVER BELLY 3. SECT. 155 MM 2,6 MM
1012470155OVS	OVERVING 155 MM 2,6 MM	OVER WINGS 155 MM 2,6 MM
101247017026OVS	OVERVING 170 MM 2,6 MM	OVER WINGS 170 MM 2,6 MM
101247015526U10S	UNDERBELG 1. SEKSJ. 155 MM 2,6 MM	UNDER BELLY 1. SECT. 155 MM 2,6 MM
101247015526U20S	UNDERBELG 2. SEKSJ. 155 MM 2,6 MM	UNDER BELLY 2. SECT. 155 MM 2,6 MM
101247015526U30S	UNDERBELG 3. SEKSJ. 155 MM 2,6 MM	UNDER BELLY 3. SECT. 155 MM 2,6 MM
1012470UV	UNDERVING 470	UNDER WINGS 470
101247017026OTRS	TAK TIL 470 STRAMLINE 170 MM 2,6 MM	SQUARE 470 STRAMLINE 170 MM 2,6 MM
101247015526OTRS	TAK TIL 470 STRAMLINE 155 MM 2,6 MM	SQUARE 470 STRAMLINE 155 MM 2,6 MM

VARE NR PART NO	VARENAVN	PART NAME
1010444	444 / 155 MM G R FISKETRÅL	444 / 155 MM G R FISH TRAWL
1010444SKB	444/155MM GR-TRÅL MED KORT BELG	444/155MM GR-TRÅL SHORT BELLY
1012444O10	OVERBELG 444 / 155 MM 1. SEKSJ	OVER BELLY 444 / 155 MM 1. SECT
1012444O12	OVERBELG 444 / 155 MM 1+2 SEKSJ	OVER BELLY 444 / 155 MM 1+2 SECT
1012444O20	OVERBELG 444 / 155 MM 2. SEKSJ	OVER BELLY 444 / 155 MM 2. SECT
1012444OT	TAK 444 / 155 MM	SQUARE 444 / 155 MM
1012444OTR	TAK M/RIVERSTRIPE TIL 444 / 155MM	SQUARE W/GARNISH 444 / 155 MM
1012444OTR170	TAK M/RIVERSTRIPE TIL 444 / 170MM	SQUARE W/GARNISH 444 / 170 MM
1012444OTRE	TAK M/RIVERSRIPE TIL 444 I EP	SQUARE W/GARNISH 444 I EP
1012444OV	OVERVINGER 444 / 155 MM	OVER WINGS 444 / 155 MM
1012444DU	UNDERBELG 444-155 DOBBELTRÅL	UNDER BELLY 444-155 DOBBEL TRAWL
1012444U10	UNDERBELG 444 / 155 MM 1. SEKSJ	UNDER BELLY 444 / 155 MM 1. SECT
1012444U12	UNDERBELG 444 / 155 MM 1+2 SEKSJ	UNDER BELLY 444 / 155 MM 1+2 SECT
1012444UV	UNDERVINGE 444 / 155 MM	UNDER WINGS 444 / 155 MM



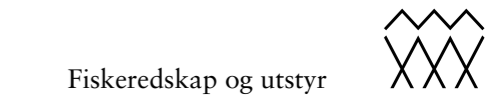
SELSTAD CAMARO REKETRÅL

Selstad Camaro shrimp trawl



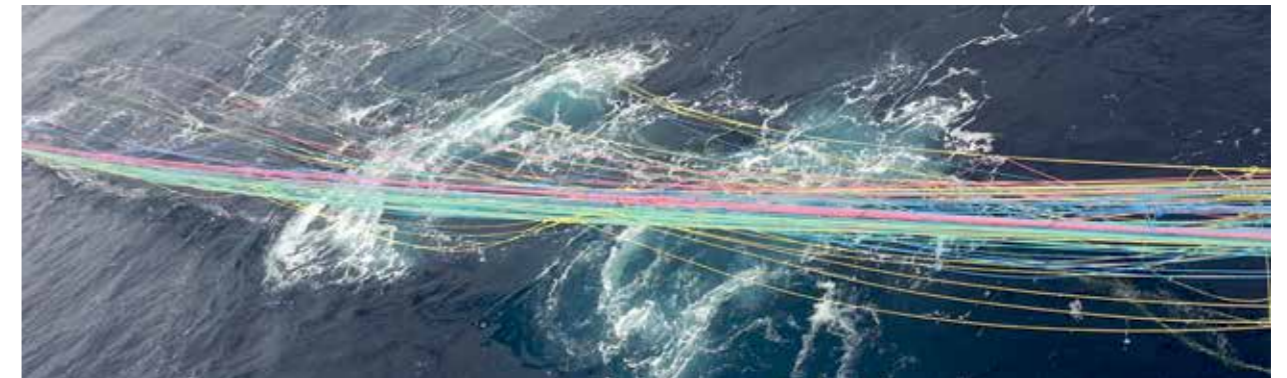
SELSTAD PELAGISK TRÅL

Selstad pelagic trawl



Selstad leverer alt av utstyr til pelagisk trål; trålwire, dører, sondekabel, sviper, sekker, jernvarer, med mer. Vår avdeling som driver mest med pelagisk trål er Måløy, men etter utbygging er også avdelingen i Ålesund snart klar til å kunne yte service her. Selstad har mange års erfaring i produksjon av pelagisk trål, både til norske og utenlandske kunder. Vi lager diamantmasketråler (firkantmasker) og hexagon tråler (sekskantmasker) i forskjellige størrelser og materialer, og har kunder som fisker blant annet kolmule, hestemakrell, ansjos, sild og makrell med disse. En del av trålene lages i hovedsak med vårt egenproduserte Danlinetau som har mange fordeler i bruk. Tauet er tett, med utrolig slitestyrke og lett å jobbe med.

Selstad supplies all equipment for pelagic trawl: trawl wire, doors, net sonde cable, sweeps/bridles, cod ends, hardware, etc.. Our division that deals most with pelagic trawl is Måløy, but after an extension, our division in Ålesund will soon be ready to provide the same services. Selstad has many years of experience in the production of pelagic trawl, both for Norwegian and foreign clients. We produce diamond mesh trawls and hexagonal trawls in different sizes and materials, and have customers that fish blue whiting, horse mackerel, anchovies, herring and mackerel with these products. Many of the trawl nets are produced using our own Danline rope, with its many advantages. The rope is incredibly durable and easy to work with.



**TRÅLDØRER**

Trawl doors

Selstad er forhandler for Thyborøn tråldører i Norge. Thyborøn er blant verdens ledende produsenter av tråldører for alle forhold, for bunn, semi-pelagisk og pelagisk fiskeri. Fabrikken er plassert i havnen i Thyborøn, en av Danmarks største fiskerihavner. Produktutvikling foregår i tett samarbeid med fiskere, ledende eksperter samt testing i prøvetanker over hele verden. Dette kombinert med Thyborøn sin lange erfaring fra fremstilling av tråldører betyr at vi kan tilby en komplett serie av tråldører i alle former for fiskeri til alle verdenshav.

Selstad is the distributor of Thyborøn Trawl Doors in Norway. Thyborøn is among the leading manufacturers of trawl doors in the world, and produces trawl doors for both bottom, semi pelagic and pelagic fishing. The factory is located at the harbor front in Thyborøn, which is one of the leading fishing ports in Denmark. The products are developed in close cooperation with fishermen, leading experts and specialized flume tanks in various countries. In combination with Thyborøns 40 years of experience, it is possible to offer a complete range of trawl doors for all sorts of fisheries.

**TRÅL DØR - TYPE 14 STANDARD MODEL**

Trawl door - type 14 Standard model

AREAL m ²	LENGDE X HØYDE LENGTH x HEIGHT	SKO VEKT SHOE WEIGHT STANDARD	SKO VEKT SHOE WEIGHT HEAVY	VEKT WEIGHT NETTO
5.0	1658 x 3064	216	300	1222
5.5	1732 x 3198	218	301	1315
6.0	1803 x 3325	273	376	1447
6.5	1871 x 3448	284	394	1853
7.0	1936 x 3565	322	442	1978
7.5	2061 x 3710	327	458	2210
8.0	2121 x 3818	334	466	2353
8.5	2179 x 3922	345	482	2474
9.0	2236 x 4026	357	501	2575
9.5	2291 x 4124	417	580	2739
10.0	2345 x 4221	422	589	2889
10.5	2398 x 4316	428	598	2991
11.0	2449 x 4449	451	635	3152
11.5	2500 x 4540	467	655	3246
12.0	2550 x 4630	475	666	3369



**TRÅL DØR - TYPE 14 VF ISLAND**

Trawl door - type 14 VF Island

AREAL m2	LENGDE x HØYDE LENGTH x HEIGHT	VEKT plater Weight plates	SKO VEKT SHOE WEIGHT	VEKT WEIGHT NETTO
5.0	1658 x 3064	136	180	1148
5.5	1732 x 3198	148	180	1275
6.0	1803 x 3325	164	180	1550
6.5	1871 x 3448	176	180	1675
7.0	1936 x 3565	196	240	2125
7.5	2061 x 3710	212	240	2284
8.0	2121 x 3818	224	240	2457
8.5	2179 x 3922	228	240	2600
9.0	2236 x 4026	244	240	2900
9.5	2291 x 4124	260	240	3061
10.0	2345 x 4221	272	240	3215
10.5	2398 x 4316	292	240	3383
11.0	2449 x 4449	300	300	3545
11.5	2500 x 4540	316	300	3706
12.0	2550 x 4630	324	300	3860

**TRÅL DØR - TYPE 14 HEAVY**

Trawl door - type 14 Heavy

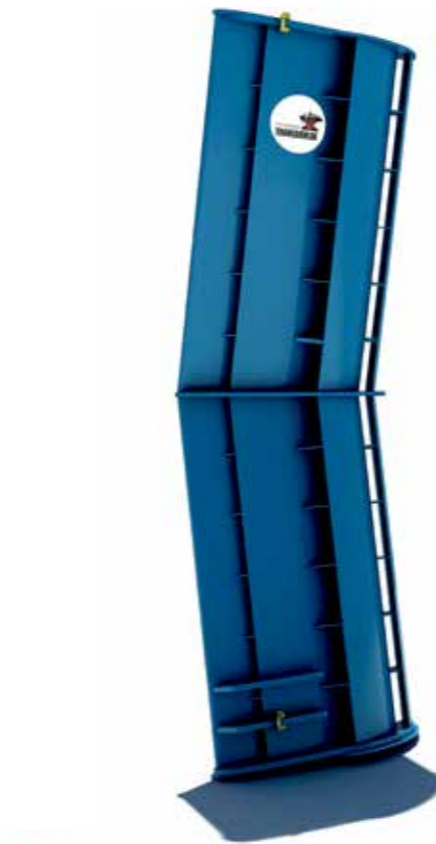
AREAL m2	LENGDE x HØYDE LENGTH x HEIGHT	SKO VEKT SHOE WEIGHT HEAVY	VEKT WEIGHT NETTO
5.0	1658 x 3064	408	2028
5.5	1732 x 3198	408	2231
6.0	1803 x 3325	408	2498
6.5	1871 x 3448	408	2706
7.0	1936 x 3565	518	2914
7.5	2061 x 3710	518	3450
8.0	2121 x 3818	544	3700
8.5	2179 x 3922	544	3900
9.0	2236 x 4026	544	4150
9.5	2291 x 4124	544	4375
10.0	2345 x 4221	544	4600
10.5	2398 x 4316	544	4830
11.0	2449 x 4449	654	5060
11.5	2500 x 4540	654	5290
12.0	2550 x 4630	654	5520
12.5	2695 x 4810	654	5750
13.0	2747 x 4910	654	5980
13.5	2800 x 5000	680	6210
14.0	2852 x 5080	680	6440
14.5	2902 x 5170	680	6670
15.0	2952 x 5260	680	6800
15.5	3000 x 5340	790	7130
16.0	3048 x 5420	790	7360



**TRÅL DØR - TYPE 15 VF MODEL**

Trawl door - type 15 VF model

AREAL M2	VEKT / WEIGTH MINIMUM	VEKT / WEIGHT MAKSIMUM
1.0	92	112
1.5	148	180
2.0	191	233
2.5	243	298
3.0	394	458
3.5	452	527
4.0	563	649
4.5	633	730
5.0	787	893
5.5	864	982
6.0	1067	1196
6.5	1157	1297
7.0	1493	1643
7.5	1592	1754
8.0	1682	1854
8.5	1785	1969
9.0	1876	2070
9.5	1961	2165
10.0	2062	2278
10.5	2157	2384
11.0	2250	2488
11.5	2347	2597
12.0	2435	2695
12.5	2525	2796
13.0	2616	2898
13.5	2713	3006
14.0	2816	3120
14.5	2900	3215
15.0	2988	3313
15.5	3084	3421
16.0	3172	3520
16.5	3262	3620
17.0	3352	3721
17.5	3444	3824
18.0	3535	3927
18.5	3617	4019
19.0	3712	4125
19.5	3807	4232
20.0	3907	4343

**TRÅL DØR - TYPE 20 VF FLIPPER**

Trawl door - type 20 VF Flipper

AREAL M2	VEKT / WEIGHT MINIMUM	VEKT / WEIGHT MAXIMUM
1.0	104	124
1.5	169	199
2.0	218	258
2.5	280	330
3.0	448	508
3.5	514	584
4.0	640	720
4.5	720	810
5.0	891	991
5.5	980	1090
6.0	1217	1327
6.5	1319	1439
7.0	1693	1823
7.5	1806	1946
8.0	1907	2057
8.5	2025	2185
9.0	2127	2297
9.5	2223	2403
10.0	2333	2523
11.0	2541	2761
12.0	2761	2991
13.0	2966	3216
14.0	3193	3463
15.0	3387	3677
16.0	3587	3907
17.0	3800	4130
18.0	4008	4358
19.0	4208	4578
20.0	4420	4820



**TRÅL DØRER - TYPE 22 VK BLUESTREAM**

Trawl doors - Type 22 VK Bluestream

AREAL M2	VEKT / WEIGHT MINIMUM	VEKT / WEIGHT MAXIMUM
2.0	350	As request
2.25	390	As request
2.5	420	As request
2.75	450	As request
3.0	640	As request
3.25	690	As request
3.5	740	As request
3.75	790	As request
4.0	840	As request
4.5	980	As request
5.0	1080	As request
5.5	1350	As request
6.0	1500	As request
6.5	1670	As request
7.0	2140	As request
7.5	2200	As request
8.0	2350	As request
8.5	2490	As request
9.0	2640	As request
9.5	2780	As request
10.0	2900	As request
10.5	3030	As request
11.0	3180	As request
11.5	3320	As request
12.0	3450	As request
12.5	3600	As request
13.0	3780	As request
13.5	3920	As request
14.0	4050	As request
14.5	4200	As request
15.0	4320	As request
15.5	4460	As request
16.0	4620	As request

**TRAWL DOOR - OVAL TYPE 16**

Trawl door - Oval type 16

AREAL M2	VEKT / WEIGHT MINIMUM	VEKT / WEIGHT MAKSIMUM
1.0	92	112
1.5	148	180
2.0	191	233
2.5	243	298
3.0	394	458
3.5	452	527
4.0	563	649
4.5	633	730
5.0	787	893
5.5	864	982
6.0	1067	1196
6.5	1157	1297
7.0	1493	1643
7.5	1592	1754
8.0	1682	1854
8.5	1785	1969
9.0	1876	2070
9.5	1961	2165
10.0	2062	2278
10.5	2157	2384
11.0	2250	2488
11.5	2347	2597
12.0	2435	2695
12.5	2525	2796
13.0	2616	2898
13.5	2713	3006
14.0	2816	3120
14.5	2900	3215
15.0	2988	3313
15.5	3084	3421
16.0	3172	3520
16.5	3262	3620
17.0	3352	3721
17.5	3444	3824
18.0	3535	3927
18.5	3617	4019
19.0	3712	4125
19.5	3807	4232
20.0	3907	4343

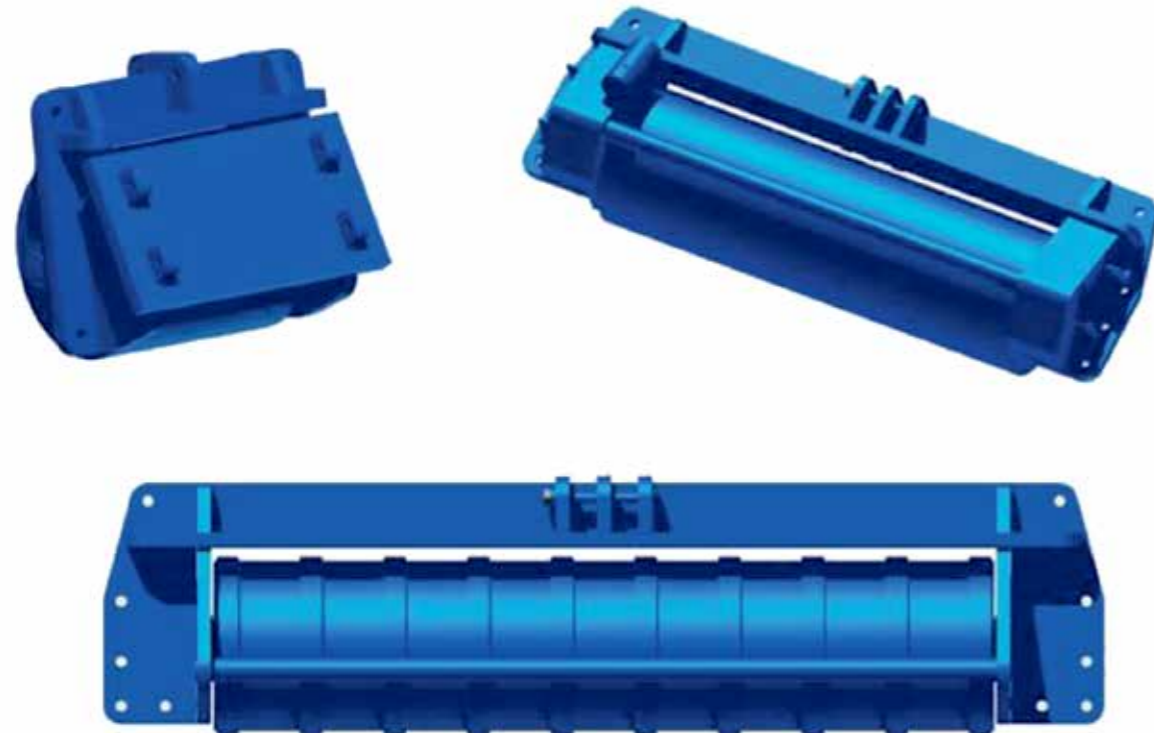




ROLLER CLUMP

Roller Clump

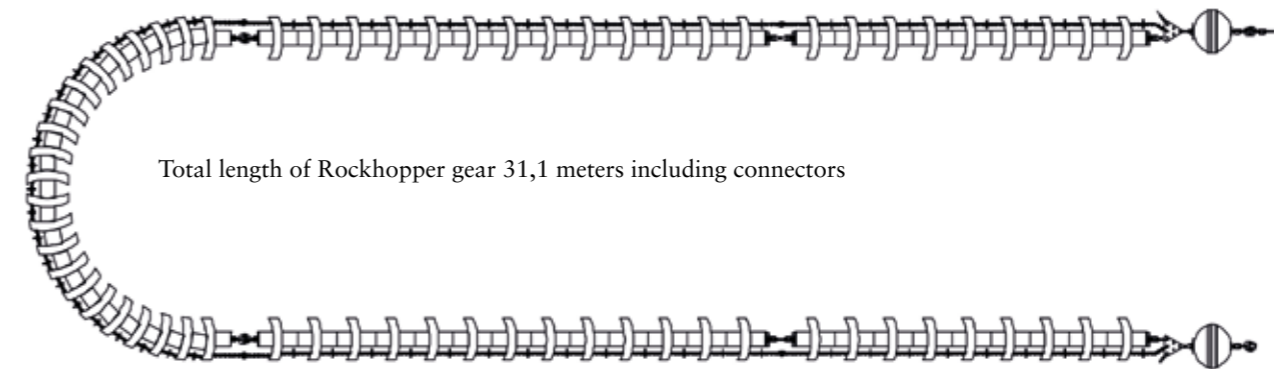
Vekter fra 450 kg til 10000 kg
Weights from 450 kg to 10000 kg



ROCKHOPPER GEAR

Rockhopper gear

Selstad lager Rockhopper gear etter kundens ønsker og spesifikasjoner. Selstad sørger for at gearet passer til den aktuelle trål. Selstad can make the rock-hopper gear exactly after the customers requirements. Selstad makes sure that the gear will fit the current trawl.



Total length of Rockhopper gear 31,1 meters including connectors

Midtseksjon 6,1 mtr
Kjetting 6,1 mtr 19mm ML
Styre kjetting 6,2 mtr 10mm KL
Rockhopper 21"
Gummi fyllstykker 8" x 8"
Endeskive MT 19
Ringer 10mm rustfri (90mm diam)

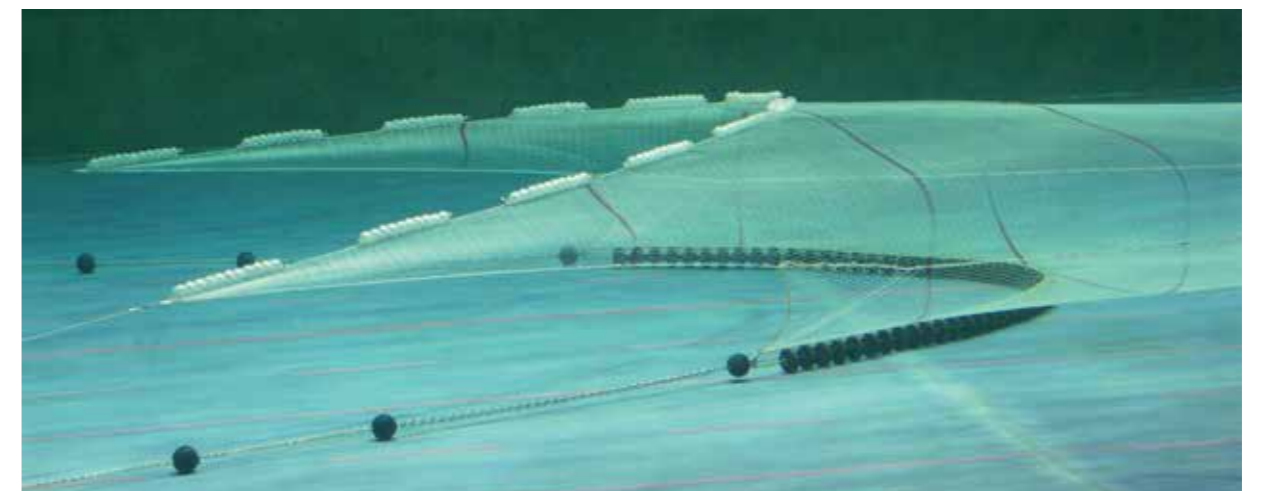
Bakre seksjon 6,1 mtr
Kjetting 7,1 mtr 19mm ML
Styre kjetting 7,2 mtr 10mm KL
Rockhopper 21"
Gummi fyllstykker 8" x 8"
Endeskive MT 19
Ringer 10mm rustfri (90mm diam)

Fremre seksjon 5,0 mtr
Kjetting 5,0 mtr 19mm ML
Styre kjetting 5,1 mtr 10mm KL
Rockhopper 21"
Gummi fyllstykker 8" x 8"
Endeskive MT 19
Ringer 10mm rustfri (90mm diam)

Mid Section 6,1 mtr
Chain 6,1 mtr 19mm ML
Control Chain 6,2 mtr 10mm KL
Rockhopper 21"
Rubberspacers 8" x 8"
Stopwasher MT 19
Rings 10mm Stainless (90mm diam)

Rear Section 7,1 mtr
Chain 7,1 mtr 19mm ML
Control Chain 7,2 mtr 10mm KL
Rockhoppers 21"
Rubberspacers 8" x 8"
Stopwasher MT 19
Rings 10mm Stainless (90mm diam)

Front Section 5,0 mtr
Chain 5,0 mtr 19mm ML
Control Chain 5,1 mtr 10mm KL
Rockhopper 21"
Rubberspacers 8" x 8"
Stopwasher MT 19
Rings 10mm Stainless (90mm diam)

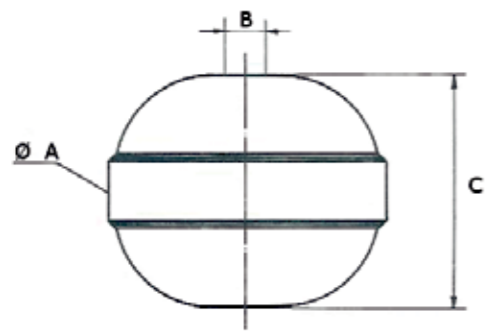


**BOBBINS STÅL**

Bobbins steel



VARE NR	NAVN/TYPE	STR	HULL	VEKT/ LUFT	VEKT/ VANN	FORSTERKNING/ BAND	TYKKELSE
PART NO	STÅL/STEEL	SIZE	HOLE MM	WEIGHT/ AIR KG	WEIGHT/ WATER KG	BEND MM	PLATE MM
7502S12	STANDARD	12"	90	23	11	60x8	8
7502S14	STANDARD	14"	90	33	12	80x10	8
7502S16	STANDARD	16"	90	40	9	80x10	8
7502S18	STANDARD	18"	90	70	25	80x10	12
7502S18125	STANDARD	18"	127	70	25	80x10	12
7502S21	STANDARD	21"	90	96	23	100x10	12
7502S21125	STANDARD	21"	127	106	36	120x12	12
7502S21160	STANDARD	21"	160	120	47	150x12	12
7502H21	HEAVY	21"	90	133	56	150x16	15
7502H21160	HEAVY	21"	160	127	63	150x16	15
7502S24	STANDARD	24"	90	123	27	120x12	12
7502S24125	STANDARD	24"	127	116	16	120x12	12
7502S24160	STANDARD	24"	160	127	30	120x12	12
7502H24	HEAVY	24"	90	164	57	150x16	15
7502H24160	HEAVY	24"	160	164	64	150x16	15

**BOBBINS GUMMI**

Bobbins rubber



VARE NR	TYPE	TYPE	STR	HULL	VEKT/ LUFT	VEKT/ VANN
PART NO	GUMMI	RUBBER	SIZE	HOLE MM	WEIGHT/ AIR KG	WEIGHT/ WATER KG
7502G16	KOMPAKT HALV	COMPACT HALF	16"	80	-	-
7502G18	HALV OPEN	HALF OPEN	18"	80	33	7.5
7502G18B	SPHERICAL MED BØSSING	SPHERICAL WITH BUSHING	18"	80	56	15.2
7502G21	VIKING MED BØSSING	VIKING WITH BUSHING	21"	80	100	27.3
7502G21S	SPHERICAL MED BØSSING	SPHERICAL WITH BUSHING	21"	80	95	25
7502G21UB	VIKING UTEN BØSSING	VIKING WITHOUT BUSHING	21"	80	100	27.3
7502G21R	RUND MED BØSSING OG FLENS	ROUND WITH STEEL TUBE	21"	80	95-100	24
7502G24R	RUND MED BØSSING OG FLENS	ROUND WITH STEEL TUBE	24"	80	145-150	-
7502G24S	SPHERICAL MED BØSSING	SPHERICAL WITH BUSHING	24"	80	145-150	-

FYLLSTYKKER GUMMI

Spacer rubber



VARE NR	TYPE	STR	A	B	C	VEKT/ LUFT	VEKT/ VANN
PART NO	FYLLSTYKKER SPACER	SIZE TOMMER/INCH	MM	MM	MM	WEIGHT/ AIR KG	WEIGHT/ WATER KG
7506802	GUMMI /RUBBER	8" x 2"	200	50	80	1.7	0.3
75060804H80	GUMMI /RUBBER	8" x 4"	200	100	80	3.4	0.6
75060808H80	GUMMI /RUBBER	8" x 8"	200	200	80	6.8	1.1

**ROCKHOPPER**

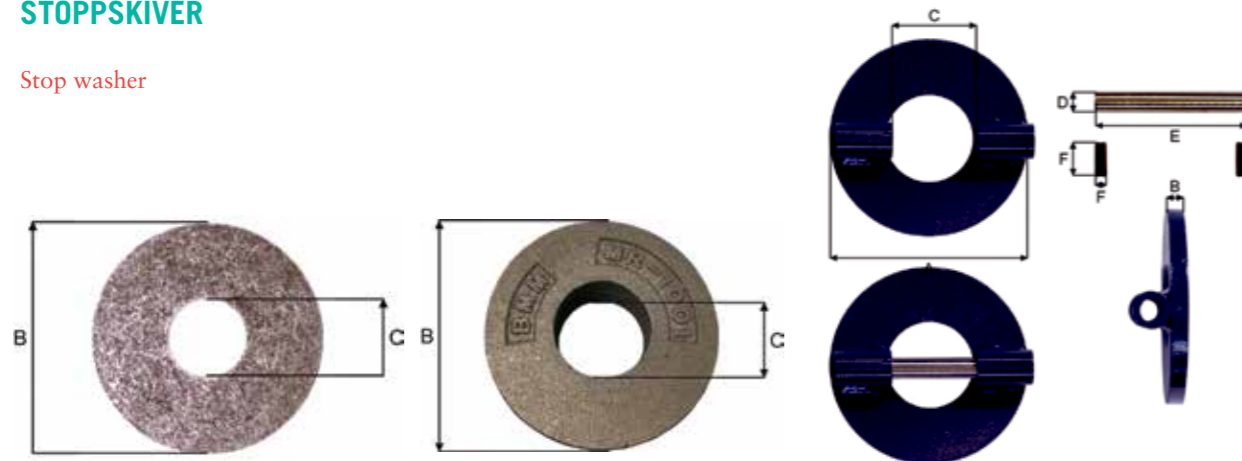
Rockhoppers



VARE NR	TYPE	NAVN/TYPE	STR	HULL	VEKT
PART NO	ROCKHOPPER	ROCKHOPPER	SIZE	HOLE	WEIGHT
				MM	KG
7507R16	ROCKHOPPER DISK	ROCKHOPPER DISCS	16"	-	-
7507R18	ROCKHOPPER DISK	ROCKHOPPER DISCS	18"	-	12-14
7507R21	ROCKHOPPER DISK	ROCKHOPPER DISCS	21"	90	20-23
7507R21D	ROCKHOPPER DISK DOBBLE	ROCKHOPPER DISCS DOUBLE	21"	90	40-45
7507R24	ROCKHOPPER DISK	ROCKHOPPER DISCS	24"	90	30-35
7507R24D	ROCKHOPPER DISK DOBBLE	ROCKHOPPER DISCS DOUBLE	24"	90	55-60
7507R28	ROCKHOPPER DISK	ROCKHOPPER DISCS	28"	90	45-55

STOPPSKIVER

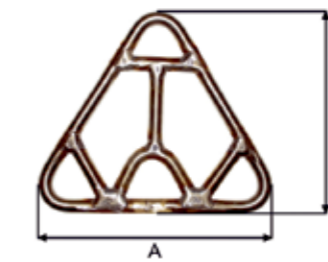
Stop washer



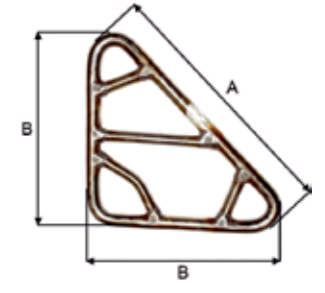
VARE NR	TYPE	TYPE	DIAMETER	TYKKELSE	HULL	VEKT
PART NO	STOPPSKIVE	STOPWASHER	A	B	C	WEIGHT
			MM	MM	MM	KG
1703MT16	STOPPSKIVE MT 16	STOPWASHER MT 16	150	12	62	1.65
1703MT22	STOPPSKIVE MT 19/22	STOPWASHER MT 22	200	13	80	4.1
7507S1020080	STOPPSKIVE 10X200 1 KG	WASHER 10X200 1 KG	200	10	75	1.0
7507S1420080	STOPPSKIVE 14X200 3 KG	WASHER 14X200 3 KG	200	14	75	3.0
7507S2020080	STOPPSKIVE 25X200 5 KG	WASHER 25X200 5 KG	200	25	75	5.0
7507S50200	STOPPSKIVE 50X200 10 KG	WASHER 50X200 10 KG	195	55	82	10.0

**TRIANGEL RUSTFRI**

Triangle stainless



E 57 SS-400

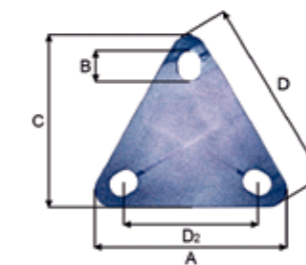


E 59 SS-333347

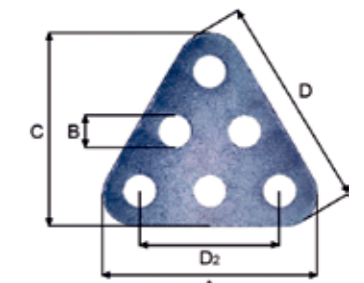
VARE NR	NAVN / TYPE	STR	A	B	VEKT KG
PART NO	TRIANGEL / TRIANGLE	SIZE	MM	MM	WEIGHT
		MM			KG
7507E57SS400	E57 25X400X400X400 RUSTFRI / STAINLESS	25	400	400	7.3
7507E59SS333347	E59 30X330X330X470 RUSTFRI / STAINLESS	30	470	330	9.6

TRIANGEL

Triangle



E63

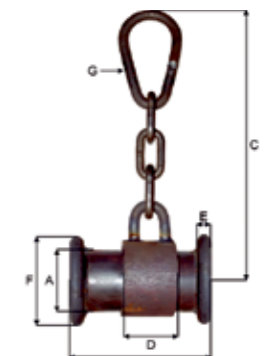


E61

VARE NR	NAVN / TYPE	TYKKELSE					VEKT	
PART NO	TRIANGEL / TRIANGLE	A	B	C	D	D2	THICKNESS	WEIGHT
		MM	MM	MM	MM	MM	MM	KG
7507E61	E61	280	35	255	185	180	25	9.0
7507E63	E63	320	37x47	280	230	230	30	12.3

FYLLSTYKKE, JERN MED KJETTING

Spacer with chain



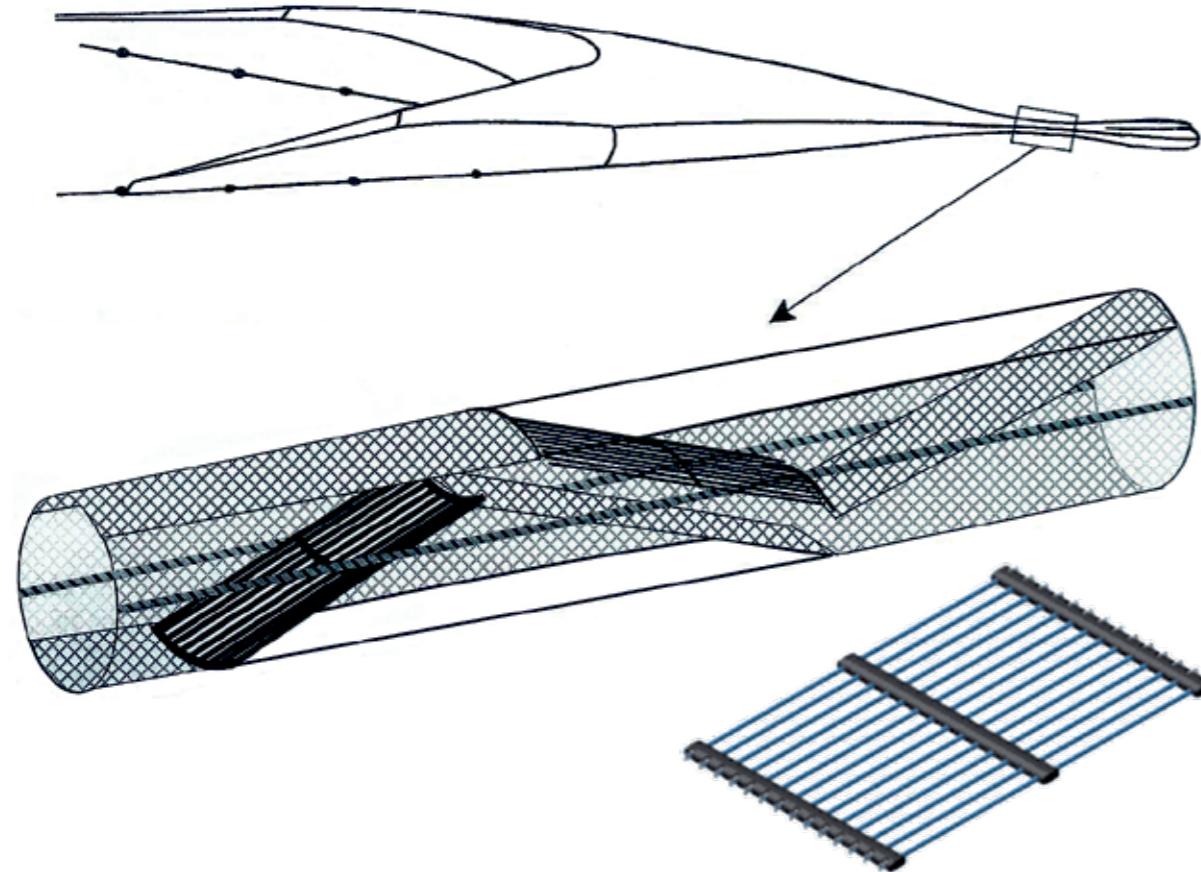
VARE NR	NAVN / TYPE	TYKKELSE							VEKT
PART NO	TRIANGEL / TRIANGLE	A	B	C	D	E	F	G	WEIGHT
		MM	MM	MM	MM	MM	MM	MM	KG
750604	E519-K	80	200	335	70	22	102	C16-125STP	10.7

**SORTERINGSRISTER**

Sorting grid

Selstad leverer komplette sorteringssystem montert i seksjoner, samt enkle rister.

Selstad supply complete sorting systems.

**SORTERINGSRISTER SORT V**

Sorting grid V

Fig. 1 Montering av sorteringsristsystem.

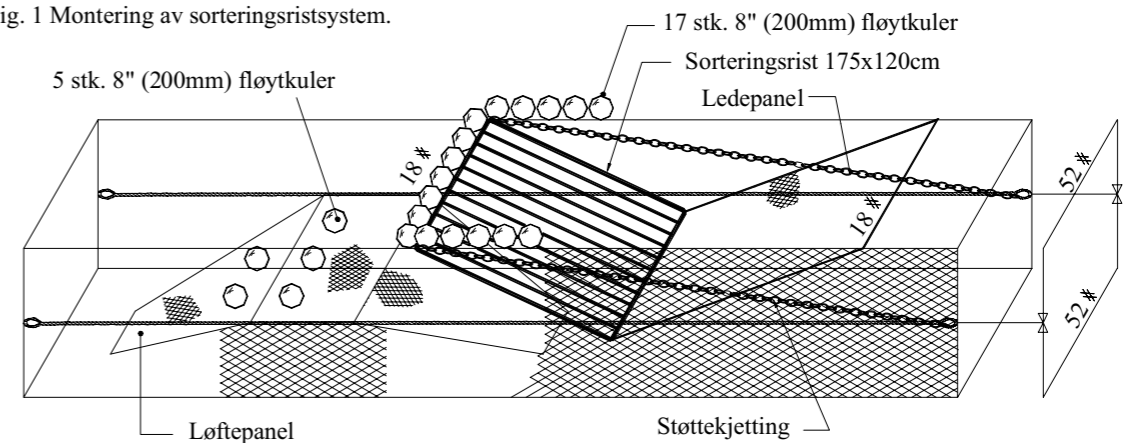


Fig. 2 Sorteringsristsystemet sett fra siden.

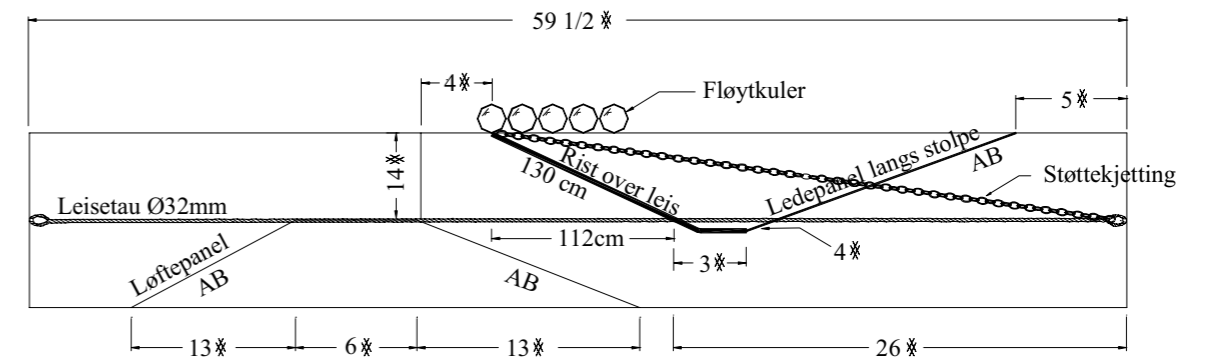


Fig. 3 Sorteringsristsystemet sett ovenfra.

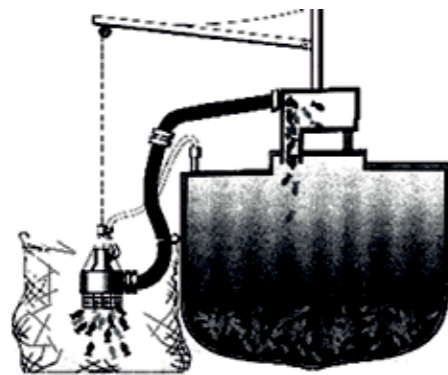
VARE NR	NAVN	NAME	SPILEAVSTAND
PROD NO			SPACING
1015FL50	FLEXIRIST KOMPLETT 50 MM PE	FLEXIGRID COMPLETE PE NETTING	50 MM
1015FL55	FLEXIRIST KOMPLETT 55 MM PE	FLEXIGRID COMPLETE PE NETTING	55 MM
1015FL5075N	FLEXIRIST KOMPLETT 50 MM NYLON	FLEXIGRID COMPLETE WITH NYLON	50 MM
1015FL5575N	FLEXIRIST KOMPLETT 55 MM NYLON	FLEXIGRID COMPLETE WITH NYLON	55 MM
1015FLR	FLEXIRIST GUMMI	FLEXI GRID RUBBER	50/55 MM
1015FLN	NETTSEKSJON PE M/FORLENGELSE	SECTION PE WITH EXTENSION	
1015FLNNYL	NETTSEKSJON NYLON M/FORLENGELSE	SECTION NYLON WITH EXTENSION	
1015FLE55	ENDESTYKKE TIL FLEXIRIST 55 MM	END PIECE FOR FLEXIGRID	55 MM
1015FLE50	ENDESTYKKE TIL FLEXIRIST 50 MM	END PIECE FOR FLEXIGRID	50 MM
1015FLM55	MIDTSTYKKE TIL FLEXIRIST 55 MM	MID PIECE FOR FLEXIGRID	55 MM
1015FLM50	MIDTSTYKKE TIL FLEXIRIST 50 MM	MID PIECE FOR FLEXIGRID	50 MM
1015FLS	SPILER TIL FLEXIRIST	RODS FOR FLEXIGRID	
7525CSS10	D-SJAKKEL 0,6 TONN 10 MM M/SPOR	D-SHACKLE 0,6 TONS 10MM W/TRACK	

VARE NR	NAVN	NAME
PROD NO		
1015SORTAVPE	SORT V RIST KOMPLETT PE FOR STORTRÅL	BLACK V COMPLET SORTING GRID
1015SORTAV1	SORT V RIST 55 MM	GRID 55 MM
1015SORTAV3	SORT V RIST 50 MM	GRID 50 MM
1015SORTENETT	SORT V NETTSEKSJON PE	NETTING SECTION PE
1015SORTENETT N	SORT V NETTSEKSJON NYLON	NETTING SECTION NYLON

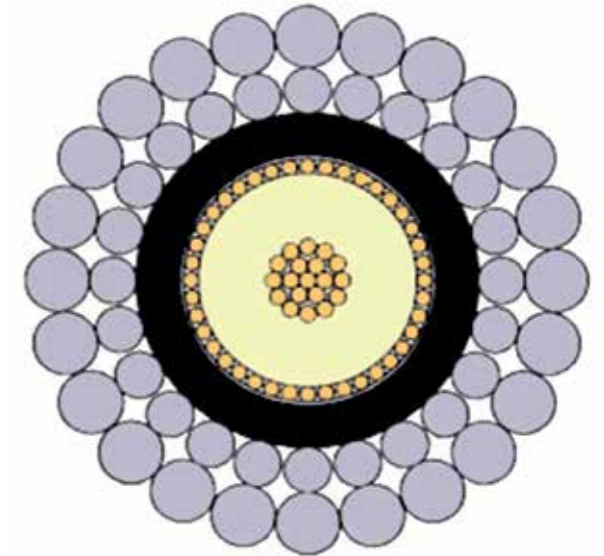
**PUMPEUTSTYR**

Pumping equipment

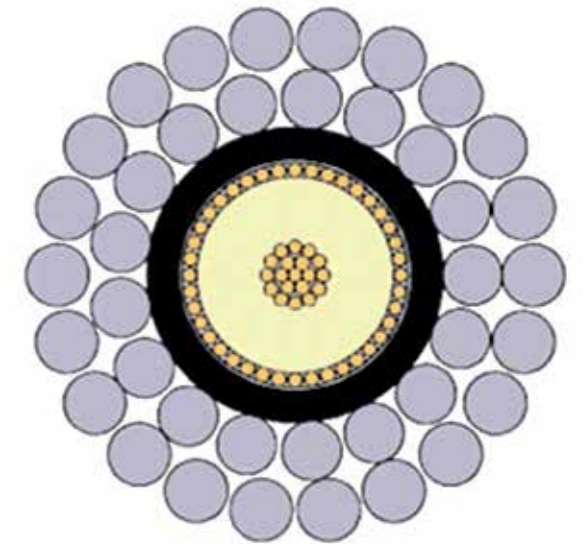
VARE NR PART NO	DIMENSJON SIZE TOMMER/INCH	NAVN	NAME
75452010	10	PUMPESLANGE	HOSE
75451012	12	PUMPESLANGE	HOSE
75451014	14	PUMPESLANGE	HOSE
75451016	16	PUMPESLANGE	HOSE
75451018	18	PUMPESLANGE	HOSE
75452012	12	PUMPE HURTIGKLEMME	RAPID COUPLING
75452014	14	PUMPE HURTIGKLEMME	RAPID COUPLING
75452014G	14	PUMPE HURTIGKLEMME GUMMI	RAPID COUPLING RUBBER
75452016	16	PUMPE HURTIGKLEMME	RAPID COUPLING
75452016G	16	PUMPE HURTIGKLEMME GUMMI	RAPID COUPLING RUBBER
75452018	18	PUMPE HURTIGKLEMME	RAPID COUPLING
75452018G	18	PUMPE HURTIGKLEMME GUMMI	RAPID COUPLING RUBBER
75452020	20	PUMPE HURTIGKLEMME	RAPID COUPLING
75452512	12	PUMPE SLANGEKLEMME	HOSE COUPLING
75452514	14	PUMPE SLANGEKLEMME	HOSE COUPLING
75452516	16	PUMPE SLANGEKLEMME	HOSE COUPLING
75452518	18	PUMPE SLANGEKLEMME	HOSE COUPLING
75452520	20	PUMPE SLANGEKLEMME	HOSE COUPLING
75453012	12	PUMPE TUT	PUMP NOZZLE
75453014	14	PUMPE TUT	PUMP NOZZLE
75453016	16	PUMPE TUT	PUMP NOZZLE
75453018	18	PUMPE TUT	PUMP NOZZLE
75454012	12-14	PUMPE OVERGANG	PUMP CROSSING
75454014	14-16	PUMPE OVERGANG	PUMP CROSSING
75454016	16-18	PUMPE OVERGANG	PUMP CROSSING
75454018	18-20	PUMPE OVERGANG	PUMP CROSSING

**SONDEKABEL 11.43 MM**

Signal transmission cable 11.43 mm

**A302799****SONDEKABEL 11.0 MM**

Signal transmission cable 11.0 mm

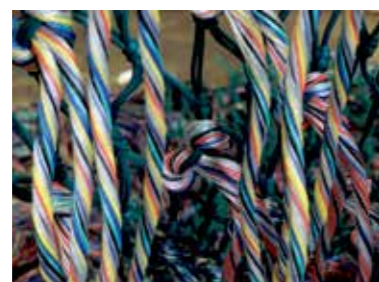
**A303613**

VARE NR PART NO	TYPE	DIAMETER		BREAKING STRENGTH		WEIGHT IN WATER		ZO	COAXES
		MM	INCH	KN	LBF	KG/KM	LB/KFT	Ω/KM	
809003114	A302799	11.43	0.450	71.2	16000	379	255	40	1
809003110	A303613	11.00	0.433	85.0	19100	388	261	45	1



LABBETUSSER

Codend protection



VARE NR	NAVN	NAME
PROD NO	STØRRELSER	SIZE
75330009	LABBETUSS 52.5# x 26#	52.5# x 26#
75330007	LABBETUSS STORE 52.5# x 52,5 (8 M)	BIG 52.5# x 52.5 (8M)
5313	LABBETUSSTAU	ROPE
7013	LABBETUSSTAU	ROPE
78PF155502	SLITE NETT 155 MM 2 X 5.0 MM PE	CHAFFING NETTING 155 MM 2 X 5.0 MM PE
78PF170502	SLITE NETT 170 MM 2 X 5.0 MM PE	CHAFFING NETTING 170 MM 2 X 5.0 MM PE



NOTATER



REDNINGSUTSTYR

- FLÅTESTASJON S. 296
- LIVBÅTER OG FLÅTER S. 297
- REDNINGSGRIND S. 298
- LEIDERE S. 298
- HÅNDBLUSS S. 299
- FALLSKJERMRAKETT S. 299
- SIGNALSETT S. 299
- LINEKASTER S. 300
- COMET LYS RØYK OG BROVINGSIGNAL S. 300
- RADARTRANSPONDER S. 300
- HYDROSTATISK UTLØSER S. 300
- REDNINGSDRAKTER S. 301
- FLYTEPRODUKTER S. 302



FLÅTESTASJON

Raft station



Selstads flåtestasjon for redningsutstyr ligger i Måløy hvor kompetent personell er tilgjengelig for service hele døgnet. Personalet på flåtestasjonen er sertifiserte og har lang erfaring innen flåteservice og sikkerhet.

I tillegg til flåter, redningsdrakter, Mob-båter og pyroteknisk materiell, leverer vi også redningsutstyr som livbøyer, redningsvester og brannslukningsutstyr.

Det å kunne tilby korte leveringstider, den beste service og solid kvalitet er blant våre målsetninger. Vi tilbyr service på flåter for alt fra 4 til 150 personer, og kan kontrollere at redningsdrakter og pyroteknisk utstyr er i forskriftsmessig stand.

Vi utfører service på flåter fra DSB, RFD, Zodiac og Viking, og er godkjent av sjøfartsdirektoratet.

- DSB
- RFD
- ZODIAC
- VIKING



LIVBÅTER / FLÅTER

Life boats/floats

DSB

DSB



RFD

RFD



ZODIAC

ZODIAC



VIKING

VIKING





MOB BÅT

Mob boat



RIBO 450

Ribo 450



REDNINGSGRIND

Life saving grid



LIVBÅTLEIDER

Life boat ladder



LOSLEIDER

Pilot ladder



HÅNDBLUSS COMET RØD

Red Handflare



FALLSKJERMRAKETT COMET RØD

Red parachute signal rocket



RØKSIGNAL

Lifebouy signal set





LINEKASTER

Line trower



BROVINGSIGNAL COMET

Comet light and smoke signal



RADARTRANSPONDER

Search and rescue transponder



HYDROSTATISK UTLØSER

Hydrostatic release



REDDNINGSDRAKT

Crewsaver



REDDNINGSDRAKT

Crewsaver



REDDNINGSDRAKT

Crewsaver





PV 9520
PV 9520



REGATTA THERMO CRUISE
Thermo cruise

Voksen
Barn
Baby

KI-ELEMENTS SUIT
Ki-Elements Suit



VARE NR PART NO	NAVN/TYPE NAME/TYPE	STØRRELSE SIZE
891108THS384	KI-ELEMENTS 310 SUIT	S-XXXL



VIKING FLYTEPRODUKTER
Viking buoyancy aids and floating suits



REGATTA FLYTEPRODUKTER
Regatta buoyancy aids and floating suits



KI ELEMENTS FLYTEPRODUKTER
KI Elements buoyancy aids and floating suits



VAREN PART NO	NAVN/TYPE NAME/TYPE	STØRRELSE SIZE
891011	REGATTA WORKSAFE PRO	40 Kg +
	REGATTA WORKSAFE PRO	40 Kg +
R186000	REDNINGSVEST FREESAFE 150 N, AUT	40 Kg +
	LIFE JACKET FREESAFE 150 N, AUT	40 Kg +
891108THS443	REDNINGSVEST-KI-VEST	-
	LIFE JACKET KI-VEST	-



ARBEIDSKLÆR OG VERNEUTSTYR

TERMODRESS S. 306

KJELEDRESS S. 306

VINTERJAKKE OG -BUKSE S. 307

FLEECEJAKKE S. 307

ARBEIDSKLÆR S. 307

OLJEKLÆR S. 308

UNDERTØY S. 309

FOTTØY S. 310

VERNEUTSTYR S. 310

HANSKER S. 313

**TERMODRESS**

Thermosuit

VARE NR PART NO	NAVN/TYPE NAME/TYPE	STØRRELSE SIZE
8910U6460	TERMODRESS SEAMAN OXFORD 6460	S-XXXL
	THERMOSUIT SEAMAN OXFORD 6460	S-XXXL
891110A	TERMODRESS PROTEC 8650	S-XXXL
	THERMOSUIT PROTEC 8650	S-XXXL



OXFORD



PROTEC

KJELEDRESS

Coveralls

VARE NR PART NO	NAVN/TYPE NAME/TYPE	STØRRELSE SIZE
891111S	ALLVÆRS KJELEDRESS	S-XXXL
	ALL-WEATHER COVERALLS	S-XXXL

**KJELEDRESS**

Coveralls

VARE NR PART NO	NAVN/TYPE	STØRRELSE SIZE
891105ML	PROFIL KJELEDRESS 6450	XS-XXXL
	PROFIL COVERALLS 6450	XS-XXXL



6450

**VINTERJAKKE OG -BUKSE**

Workwear

VARE NR PART NO	NAVN/TYPE NAME/TYPE	STØRRELSE SIZE
891023P	PROTEC VINTERJAKKE 8150	S-XXXL
891023P	PROTEC WINTER JACKET 8150	S-XXXL
	PROTEC COMBI VINTERBUKSE 8650	XS-XXXL
	PROTEC COMBI WINTER PANTS 8650	XS-XXXL



8910U87125



8650

FLEECEJAKKE

Workwear

VARE NR PART NO	NAVN/TYPE	STØRRELSE SIZE
8910U1885-94/35	FLEECEJAKKE WINDSTOPPER 1885	XS-XXL
8910U1885-94/35	FLEECE JACKET WINDSTOP 1885	XS-XXL



Art 1885-35



Art 1885-94

ARBEIDSKLÆR

Workwear

VARE NR PART NO	NAVN/TYPE	STØRRELSE SIZE
891023	PROFIL JAKKE 2550	S-XXL
	PROFIL JACKET 2550	S-XXL
891020PG	PROFIL BUKSE 1550	42-46
	PROFIL PANTS 1550	42-46



1550

**DIVERSE OLJEKLÆR**

Oil Clothing

VARE NR PART NO	NAVN/TYPE NAME/TYPE	STØRRELSE SIZE
891020Å1230	OLJEFORKLE HVIT ÅLESUND 110-1230	120 CM
	OIL APRON WHITE ÅLESUND 110-1230	120 CM
891020Å1550	OLJEFORKLE ÅLESUND 110-1550	S-XL
	OIL APRON W/SLEEVES ÅLESUND 110-1550	S-XL
891035	OLJE-ERMER	ONE SIZE
	OIL SLEEVES	ONE SIZE

**OLJEJAKKE**

Oil Jacket

VARE NR PART NO	NAVN/TYPE NAME/TYPE	STØRRELSE SIZE
891020Å0254	OLJEJAKKE ÅLESUND, DOGGERBANK	S / 4XL
	OILSKIN TYPE DOGGERBANK	S / 4XL
892010GJ	OLJEJAKKE GUY COTTEN	S-XXL
	OIL SKINN GUY COTTEN	S-XXL

**OLJEBUKSE**

Oil Trusers

VARE NR PART NO	NAVN/TYPE NAME/TYPE	STØRRELSE SIZE
891020Å0255	OLJEBUKSE ÅLESUND, DOGGERBANK	S / 4XL
	OIL PANTS, DOGGERBANK	S / 4XL
892010GB	OLJEBUKSE GUY COTTEN	S-XXL
	OIL PANTS GUY COTTEN	S-XXL

**UNDERTØY**

Underwear

VARE NR PART NO	NAVN/TYPE NAME/TYPE	STØRRELSE SIZE
891202	POLOTRØYE 762-04	XS-XXXL
	POLO SHIRT 762-04	XS-XXXL
891201	ULLFROTTE UNDERTØY 760-04	XS-XXXL
	WOOL TERRY UNDERWEAR 760-04	XS-XXXL
8910096	SUPERUNDERTØY SETT 963-04	XS-XXXL
	WOOL TERRY UNDERWEAR 963-04	XS-XXXL
891008	VINTERSOKK 966-15	35-50
	WINTER SOCK 966-15	35-50
891009	HELÅRSSOKK 965-14	35-50
	SOCK 965-14	35-50
89900300	RAGGSOKK 967-15	35-50
	SOCK 967-15	35-50
891218	FINLANDSHETTE 763-04	ONE SIZE
	HOOD 763-04	ONE SIZE
899011	VINTERHETTE TIL VERNEHJELMER	55-57/58-60
	WINTERHOOD FOR HELMET	55-57/58-60
891112V	VINTER LUE 7375-04	ONE SIZE
	WINTER CAP 7375-04	ONE SIZE



**FOTTØY**

Footwear



8910550307



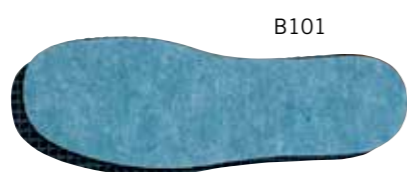
Z030-91



89100VO377



381200



B101

VARE NR PART NO	NAVN/TYP NAME/TYP	STØRRELSE SIZE
8910550307	DUNLOP TERMO+ STØVLER ÅLESUND	ALL
	DUNLOP THERMO+ BOOTS ÅLESUND	ALL
8910550306	STØVEL THERMOLITE M/VERN Z030-91	39-47
	WORKING BOOT PROTECTION Z030-91	39-47
89100VO377	LEMIGO VERNSTØVEL AUDA EVA 899	41-47
	LEMIGO WORKER BOOTS 899	41-47
8910035	SÅLE TIL STØVLER	36-47
	SOLE FOR BOOTS	36-47
891061	TRESKO 381200	35-48
	CLOGS 381200	35-48

VERNEUTSTYR

Protective Equipment



SELSTAD



899010



899019

VARE NR PART NO	NAVN/TYP NAME/TYP	STØRRELSE SIZE
899009	HJELM SELSTAD CE EN1077, RØD	M/L/XL
	HELMET SELSTAD CE EN1077, RED	M/L/XL
899010	VERNEHJELM HC 600	50-66
	PROTECTIVE HELMET HC 600	50-66

**KASK VERNEHJELM PLASMA AQ**

Kask Protective Helmet Plasma AQ

Vernehjelm for heldags bruk EN 397

Hjelmskall i polypropylen (PP)

Kraftig High Density polystyren skumpolstring mellom hjelmskall og innredning

Myk, polstret innredning i nylon

Vekt kun 390 gram

10 luftinntak sørger for maksimal ventilasjon. Inntakene er utstyrt med finmasket

netting for å forhindre inntrengning

Utstyrt med lyktefeste som passer for alle lykter med hodebånd

Leveres med 4-punkts regulerbar hakestropp som er montert til hjelmskallet

Hakestroppen løsner automatisk ved en belastning mellom 15 og 25 kg iht. norme

2DRY hurtigtørkende tekstilmateriale i innredningern/svettebånd er Sanitized (R) behandlet, noe som gir økt komfort

Innredning med rattjustering bak, enkel å regulere størrelsen selv med hansker

Enkelt å regulere selve innredningen i høyden og til sidene

Str. 51-63

**KASK VERNEHJELM PLASMA HIVIS**

Kask Protective Helmet Plasma Hivis

Vernehjelm med reflekser for heldags bruk EN 397

Hjelmskall i polypropylen (PP)

Kraftig High Density polystyren skumpolstring mellom hjelmskall og innredning

Myk, polstret innredning i nylon

Vekt kun 390 gram

10 luftinntak sørger for maksimal ventilasjon. Inntakene er utstyrt med finmasket

netting for å forhindre inntrengning

Utstyrt med lyktefeste som passer for alle lykter med hodebånd

Leveres med 4-punkts regulerbar hakestropp som er montert til hjelmskallet

Hakestroppen løsner automatisk ved en belastning mellom 15 og 25 kg iht. norme

2DRY hurtigtørkende tekstilmateriale i innredningern/svettebånd er Sanitized (R) behandlet, noe som gir økt komfort

Innredning med rattjustering bak, enkel å regulere størrelsen selv med hansker

Enkelt å regulere selve innredningen i høyden og til sidene

Str. 51-63



VARE NR PART NO	NAVN/TYP NAME/TYP
8990WHE0008201	KASK VERNEHJELM

**HØRSELSVERN**

Hearing Protection

Øreklokke for hjelm middels dempning

SNR 29 (H31 M27 L19)

Øreklokke for hjelm høy dempning

SNR 31 (H32 M29 L21)

For bruk av hørselsvern må en også benytte et øreklokkeadapter for montering, art. WAC00003.

**HØRSELSVERN**

Hearing Protection

Monteres i hjelmen

Vann- og vindtett pustende membran

Utstyrt med hull for øretelefoner

Vaskbar på 30°C

**HODELYKT**

Head Lamp

Hodelykt, tilpasset KASK hjelm

**VISIR**

Visor

Polykarbonatvisir, antidugg og antiripebehandlet

Gummi tetningskant oppe

Kan brukes over vanlige briller

Leveres med skruesett for feste til hjelmen

EN 166 BT KN Optisk klasse 2



VARE NR PART NO	NAVN/TYPE NAME/TYPE
8990WHE0009221	KASK PLASMA HIVIS FLUORESCENT GUL
8990WHE0008201E97HNE	HODELYKT PETZL
8990WHE0008201FF	VISIR FULL FACE
8990WHE0008201V2	VISIR V2
8990WHE0008201UAC001	HJELMLUE VINTER TIL KASK HJELM
8990WHE0008201SC2	ØREKLOKKE FOR KASK HJELM SNR 29 MIDDELS DEMPING
8990WHE0008201SC3	ØREKLOKKE FOR KASK HJELM SNR 31 HØY DEMPING

**HANSKER**

Gloves



EKSTRA MYK PVC HANSKE.
EKSTRA SOFT PVC GLOVES.

Art. 620/34-36

Varenr/ Part nr: 891025



KRAFTIG NATURGUMMI.
STRONG NATURAL RUBBER
GLOVE.

Art. T6005

Varenr/ Part nr: 891040



KVIT NYLONHANDSKE .
WHITE NYLON GLOVES.

Art. J 311

Varenr/ Part nr: 891043



TE'HAVS LF.
TE'HAVS LONG CUFF'S.

Varenr/ Part nr: 891051

891057 Foret



POLYAMIDHANSKE NITRILBELAGT.
ASSEMBLY GLOVES
WITH NITRILE.

Art. 2232270

Varenr/ Part nr: 891091



KVIT BOMULLSHANDSKE .
WHITE COTTON GLOVES.

Art. 2F100

Varenr/ Part nr: 891044



KRAFTIG OKSEHUD HANSKE.
Art. 2280

Varenummer/ Part nr : 89107560



EKSTRA KRAFTIG VINTER-
HANSKE I OKSEHUD.

Art. 2282

Varenr/ Part nr: 89107563



KRAFTIG KVALITET SVINEHANSKE.
Art. 2261

Varenr/ Part nr: 891050U



UNIVERN MECHANICS.
UNIVERN MECHANICS.

Art. GR305

Varenr/ Part nr : 891069



SERVICE OG TJENESTER

KRANSERTIFISERING MED VANNVEKT S. 318

LIVBÅTTEST MED VANNSEKKER S. 318

LASTECELLER S. 318

SERTIFISERING OG GODKJENNING S. 319

SERVICE OG TJENESTER S. 319

SOCKETER S. 319

TESTBENK 150 TONN S. 319

VERKSTED S. 319

WIRE-, KJETTING-, RUNDSLINGSKREV S. 319

FLÅTESERVICE S. 319

SPLEISING AV WIRE S. 320

SPOLING AV WIRE, SPOLING MED SPENNING S. 321

DATABASER S. 321

SERVICE FOR OPPDRETTSUTSTYR S. 321



KRANSERTIFISERING MED VANNVEKT

Water bags

Fordeler:

Vannsekkene er sammeleggbare for enkel lagring og transport

Størrelse 1 - 10 tonn pakket i transport sekker
Størrelse 1,5 - 50 tonn inkluderer "ship look"
Treboks / lager kasse

Bruksområde:

Skipskraner, offshore rigger, generelle kraner

Cellene er abs sertifiserte.

Godkjenning av kapasiteten er tilgjengelig.

Sikkerhetsfaktor for alle vekter er 6:1

Test av forskjellige kraner med en vekt.

Alle vekter er produsert etter iso 9001 : 2000
Quality management standar.



LIVBÅTTEST M / VANNSEKKER

Vi har også utstyr for testing av daviter og livbåter
250 kg x 6 stk. - 375 kg x 6 stk. - 400 kg x 6 stk.
1" NPT flens kopling, 3/4" for avtapping m / kuleventil
samt sikkerhetsventil følger også med.
2", 3", 4" er også tilgjengelig.

LASTECELLER

Vi har 2x12,5 - 35 og 100 tonn tilgjengelig komplett med
trådløs avlesing samt sjakkell m / sikkerhetspinne.
Høyoppløselig display.

FOR MER INFORMASJON

Vennligst kontakt:

Oddvin Høydal: oddvin@selstad.no

Mobil +47 41 29 41 97 eller +47 57 85 25 00

TILGJENGELIG TESTUTSTYR

2 Stk	Laste celle 12 tonn
1 Stk	Laste celle 35 tonn
1 Stk	Laste celle 100 tonn
1 Stk	Test vannsekk 1 tonn
1 Stk	Test vannsekk 2 tonn
1 Stk	Test vannsekk 3 tonn
2 Stk	Test vannsekk 5 tonn
1 Stk	Test vannsekk 12,5 tonn
1 Stk	Test vannsekk 15 tonn
2 Stk	Test vannsekk 35 tonn
2 Stk	Test vannsekk 50 tonn

SERTIFISERING OG GODKJENNING

Hos Selstad settes sikkerhet og kvalitet meget høyt for alle produkter, tjenester og aktiviteter, og også gjeldende regler, krav og standarder blir overholdt.

Selstad er sertifisert av Norsk Sertifisering som sakkyndig virksomhet(SV242) innenfor løfteredskaper, kjetting, fibertau, ståltautropper, løst utstyr, betongtobber, stålkasser og pallegafler. I tillegg er Selstad sertifisert som produsent og leverandør av fortøyningssystemer, og er akkreditert leverandør i Achilles JQS. Selstad er medlem i Maritim Forening Sogn og Fjordane og medlem i Kran Teknisk Forening.

De årlige kontrollene som kan bli utført av Selstads kvalifiserte kontrollør er kontroller på Tårnkran, G2, G3, G4, G7, G8, G10, P1, R, R1, R2, R3, R4, T, TX, M, S og allt løfteutstyr (G11/RX).



SERVICE OG TJENESTER

Selstad har sakkyndig, erfarent, utdannet og kvalifisert personell som er behjelpelig med mange forskjellige jobber innen behandling av ståltau, kjetting, tau og annet løfteutstyr – både på verkstedet hos Selstad og direkte hos kunden.

SPOLING

Selstad tilbyr spoling av både ståltau og tau ved flere avdelinger langs den norske kyst.

SOCKETER

Med erfarent og kvalifisert personell kan Selstad tilby støpning av socketer i alle størrelser. Selstads personell gjennomfører også reterminering av socketer med rens/sandblåsing, og tilhørende NDT kontroller og overflatebehandling.

PRØVELAST-TESTING

Selstad kan gjennomføre kran- og utstyrskontroller med våre laste-celler og vannvektsekker (side 110 - 111).

TESTBENK 150 TONN

Med en 150 tonns testbenk kan Selstad gjennomføre tester på tau, ståltau, kjettinger og annet løfteutstyr. Selstad gjennomfører også rutinemessige prøver og tester av alle løfteprodukter.

VERKSTED

Ved Selstads velutstyrte verksted kan alt innen spleising av tau og wire og behandling av løfteutstyr gjennomføres. I tillegg kan det etter avtale gjennomføres sveising både på verkstedet og/eller ute hos kunde.

WIRE-, KJETTING-, RUNDSLINGSKREV

Selstad kan lage alle typer skrev etter kundens ønskede spesifikasjoner, standard skrev eller etter DNV.

FLÅTESERVICE

Selstads servicestasjon for redningsutstyr ligger i Måløy hvor Selstad stiller sertifisert og erfarent personell til disposisjon for kundene hele døgnet (side 3).

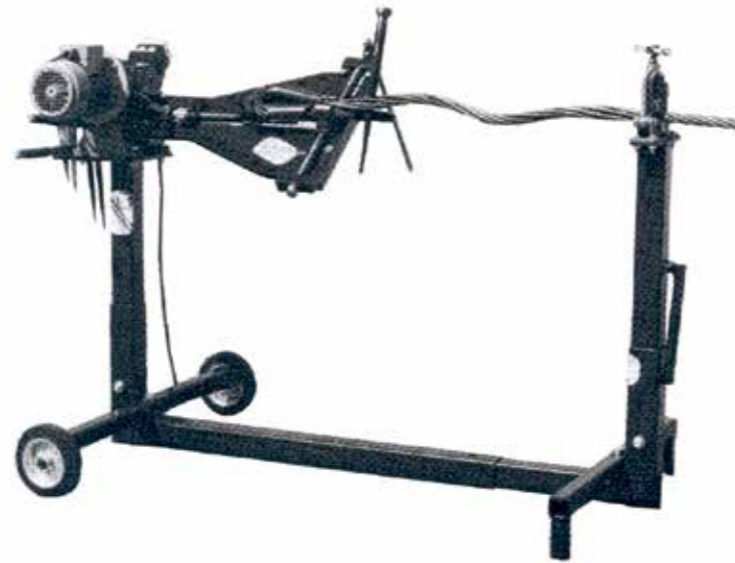
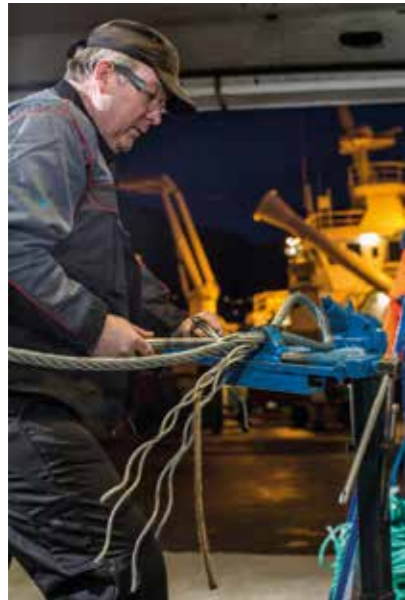




SPLEISING AV WIRE

Splicing of wire

Selstad har utstyr for spleising av wire. I tillegg har vi Tallurittpresse hvor vi kan presse T-lås på wire opp til 30 mm. Selstad have equipment for splicing of wire. We have also Talluritt press where we can press ferrules up to 30mm.



SPOLING AV WIRE, MED SPENNING

Spooling of wire, with tension

Vi har spoleapparat i Måløy, Ålesund og Tromsø. We have spooling device in Måløy, Ålesund and Tromsø.



DATABASER

Selstad servicedatabase holder oversikt over kundens poser som er inne til service. Her finner kunden informasjon om hvor langt posen er kommet i serviceprosessen og man kan også hente ut tilhørende brukerhåndbok, sertifikat og servicekort.

Sertifikatdatabasen «Utstysportalen» hjelper kundene med å holde orden på sertifikater for sine produkter. Sertifikatene blir generert direkte inn på kundens egen side hvor man får tilgang gjennom en PC eller nettbrett.

Selstad Logg er en interaktiv tjeneste som er bygget opp for å sette dokumentasjon i system. Det har vært et behov i næringen for et system som samler alt av dokumentasjon på en plass, og dette er et behov som Selstad Logg kan dekke. Loggen tilbyr også elektroniske sjekklister som utarbeides i samråd med kunde. Vi har laget et verktøy som er veldig brukervennlig slik at oppdretter skal bruke minimalt med tid på dokumentbehandling

SERVICE FOR OPPDRETSUTSTYR

Vi har i dag tre sertifiserte stasjoner; en i Solund, en i Måløy og en i Svolvær. Ved servicestasjonene tilbyr vi service på oppdrettsposer i form av vasking, bøting, impregnering og tørking av posene. Noten strekktestes for å kontrollere restverdien i forhold produktsertifikatet. Noten blir sertifisert i forhold til restbruddstyrke som vist i tabellen under.

Restbruddstyrke	Gyldighet
100%	24 mnd
65% - 100%	12 mnd

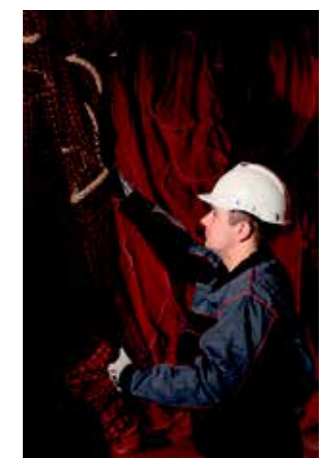
OMBYGGING AV POSER / REBUILDING OF CAGES

REPARASJON / REPAIR

VASKEANLEGG FOR POSER / CLEANING OF CAGES

IMPREGNERING AV POSER / IMPREGNATION

IMPREGNERING / IMPREGNATION





INDEX

A

Andre jernvarer- 135
 Aquaring- 254
 Arbeidsklær- 307
 Arbeidsklær og verneutstyr- 305
 Armert kledningslange- 201
 Asano auto shackle type iii size l 1,3 t- 147
 Atlas tau- 209
 Avdelinger oppdrett- 248
 Patent anker- 158
 Ploganker- 158

B

Afrikablokk- 68, 69
 Apb-bøyer- 223
 Aqua-bøyer- 222, 223
 Bånd stropp- 176
 Blokk vogn – 24- 79
 Blytau fletta danline- 205
 Blytau - flettet terylene- 204
 Blåser a type- 220
 Bolt og fjør- 93
 Bonett- 240
 Bøtenåler- 186, 187
 Brillertype cs19ss3- 152
 Brovingsignal comet- 300
 Bryne- 181
 Bøyer overflate msb234 serie- 228
 Cargo blokk american pattern med øye og en skive- 70
 Gummi bobbins- 285
 Nedhalingsblokk- 71
 Snatch blocks 71- 73
 Stålblokk malleable galvanisert med øye 3 skiver- 73
 Stål bobbins- 284
 Trålblokk k type m/øye- 66, 67
 Trio blokk kt, galv- 65
 Vinterbukse- 307
 Vossablokk- 74

C

Carabinkrok galvanisert- 52
 Carabinkrok rustfri- 52
 Carabinkrok rustfri med lås- 53
 Pe - courlenetau 3-slått- 194

D

Danlinetau 3-slått- 198
 Danlinetau 3-slått etterstrekt, selstad- 199
 Danlinetau 3-slått med bly, selstad- 199
 Danlinetau 4-slått- 200
 Danlinetau 4-slått fortøyningsstau - hardt slått- 201
 Danlinetau 4-slått med bly- 200
 Databaser- 321
 Databaser- 250
 Dor- 183
 Dorsett- 183
 Dsb- 297
 Dura - float s6- 211
 Dura - winchline- 210
 Dynema tau- sk75- 207
 Kvadratfletta danline, 8-fletta- 197
 X-flettet danline 8-fletta- 204

E

Eggflottører ef- 225
 Euroline premium- 239

F

Floats ef- 225
 Floats, scanmarin bpb bacell- 226
 Floats, weihai- 226
 Oval floats- 225

F

Boss f løkker- 50
 Fallskjermrakett comet rød- 299
 Fendere, f type- 221
 Fender heavy duty hdf serie- 220
 Fiskekurv- 185
 Fiskekurv / rekekurv- 185
 Fiskeredskap og utstyr- 261
 Fjellbolt- 254
 Flatløkke evm- 50
 Flåtestasjon- 296
 Fortøyning- 249
 Fortøynings sjakkel- 21
 Fottøy- 310
 Fuglenettstenger- 255
 Fyllstykke, jern med kjetting- 287
 Fyllstykker gummi- 285

G

Garn- 242
 G-krok, boss- 46
 G-krok, viking- 46
 Glidring, norselast- 157
 Gravemaskin krok excel grade 8- 57

H

Ekstra kraftig vinterhanske i oksehud- 313
 Ekstra myk pvc hanske- 313
 Hammer / slegge- 178
 Håndbluss comet rød- 299
 Håndspenner med krok- 177
 Hanefottau 3-slått nylon sort- 196
 Hanske i nitrilgummi- 314
 Hansker- 313, 314
 Håver- 257
 Hodelykt- 312
 Hørselsvern- 312
 Hydrostatisk utløser- 300
 Vinter hanske- 314

I

Index- 322
 Innkorkingskrok excel grade 8- 45
 Innkorking-sikkerhetskrok excel grad 10- 60
 Innkorkingskrok- 44
 Innkorkingskrok excel en1677-1 grade 8- 44
 Innkorkings krok excel grade 80- 45
 Yoke innkorkingskrok- 43

J

Fleecejakke- 307
 Jekketalje 15- 75
 Jekketalje kito cb- 76
 Jekketalje kito lb/lx- 75
 Jekketalje pow'r-pull- 78
 Jekketalje wire15sl12- 77

Jotron lys aq 4- 230
 Jotron lys ml 200- 229
 Jotron lys ml 300- 229
 Vinterjakke- 307

K

Alloykjetting, kortlenket fiskeri- 85, 86
 Alloykjetting, langlenket fiskeri- 82, 84
 Alloykjetting, langlenket galv.- 83
 Alloykjetting, midlink fiskeri- 84
 Armert kledningslange- 201
 Bånd-stropp krok excel grade 8- 57
 Elektrisk kniv- 182
 Filetkniv frost- 181
 Gaffel sling krok excel grade 10- 59
 Gaffel sling krok rustfri gp- 59
 Galvaniserte wirekause- 136
 Hjertekause, galvanisert for tau- 136
 Kasteblokk galv- 64
 Kasteblokk gp type 601s med sjakkel- 71
 Kasteblokk type 601h med krok- 72
 Kause for ståltau, pennant- 143
 Kause for tau- 144
 Kause heavy tyoe rustfri- 145
 Kause massiv din 3091- 142
 Kellyøye, viking evr 08/10- 51
 Kellyøye, viking evr 15/20- 51
 Kenter sjakkel- 19
 Ki elements flyteprodukter- 303
 Kjeledress- 306
 Kjetting galvanisert- 83
 Kjetting, kort lenket el-galvanisert- 86
 Kjetting kortlenket etter din 763- 87
 Kjetting kortlenket etter din 766- 87
 Kjetting, kortlenket løft- 85
 Kjettinglås excel grade 8- 92
 Kjettinglås fiskeri/løft- 91
 Kjettinglås fiskeri/løft- 91
 Kjettinglås gp kobling mot grade 8 kjetting skrev- 93
 Kjettinglås kuplex- 90
 Kjettinglås trawlex- 90
 Kjetting og kjettinglås- 81
 Kjettingtalje - 14- 74
 Kniver- 180
 Kniver frost- 180
 Kniver mora- 180
 Knivsliper- 181
 Knivslire- 181
 Knivstål- 182
 Koblingsplate- 254
 Kombinasjonstau med stålkjerne- 205
 Koster- 184
 Kraftblokkflottører, badinotti- 227
 Kraftblokkflottører, scanmarin/polyform bpb- 226
 Kraftblokkflottører, vinycon- 227
 Kraftblokkflottører, weihai- 226
 Kroker / hooks- 31
 Krok med stort øye med sikkerhetslås gp- 42
 Krok med svivel grade 8 med sikkerhetslås gp- 40
 Kuttskiver- 184
 Løftekjetting grade 10- 88
 Løftekjetting rustfri excel- 88
 Plastkause- 139
 Taukause galvanisert- 137
 Utløserkrok, tow 10s- 56

Øye-sling krok excel en1677-2 grade 8- 41

L

Labbetusser- 292
 Lanka line- 243
 Lastekrok selstad- 40
 Lastekrok øye excel grade 10- 43
 Lastestrammer gp med kroker etter en 12195-3- 173
 Lastestrammer gp uten kroker etter en 12195-3- 173
 Lineblokk ka type- 65
 Linekaster- 300
 Liv båter/flåter- 297
 Livbåt leier- 298
 Løfteøye- 161
 Los leier- 299
 Luseskjørt, selstad- 258
 Lysbøye for oppdrettsanlegg sbf 160- 229
 Løftehoder- 159, 160
 Løfteringer nylon- 152
 Løfteøye- 163
 Løfteøye excel grade 8- 162
 Løfteøye excel grade 10- 164
 Løfteøye grabiq, mg 1-part- 165
 Løfteøye grabiq mgd 2-part- 165
 Løfteøye q- 161
 Løfteøye rustfritt excel- 164

M

Målebånd- 179
 Maskeviddemål- 185
 Maxiflex 8-slått- 191
 Maxiflex/silver 3-slått- 192
 Maxima 3-slått- 190
 Maxima 8-slått- 191
 Merlespiker for tau- 182
 Merlespiker for wire- 182
 Mob båt- 298
 Målestokk- 179

N

Nett- 233
 Notklo- 185
 Notposer- 251
 Nylonlin- 240, 241
 O-flettet nylontråd- 212
 X-flettet nylon- 213

O

Diverse oljeklær- 308
 Oljebukse- 308
 Oljebakke- 308
 Oppdrettsutstyr- 247
 Oppdrift- 219

P

Boss poselås- 153
 Pe nett- 237
 Plastkuler ovale- 225
 P - ledd, galvanisert- 53
 P - ledd, rustfri- 54
 Pumpeutstyr- 290
 Pv 9520- 302

R

Radartransponder- 300
 Redningsdrakt- 301
 Redningsgrind- 298
 Redningsutstyr / life saving equipment- 295
 Regatta flyteprodukter- 303
 Regatta thermo cruice- 302





Rekekurv- 185
 Rempro fuglenettstenger- 255
 Rensefisk utstyr- 258
 Reservedel boss- 149
 Reservedeler bk-lås komplett- 61
 Reserve deler til boss håvlås bk 11- 154
 Reserve deler til boss håvlås bk 12- 154
 Rfd- 297
 Ribo 450- 298
 Ring sss rustfritt stål- 151
 Riser buoy crvp marine type 6- 228
 Rockhopper- 286
 Rockhopper gear- 283
 Rød håndbluss/signal- 299
 Røksignal- 299
 Roller clump- 282
 Rørkause, rustfri- 138
 Rov polar sjakkel gp fjørbelastet sikring- 28
 Rov polar sjakkel gp med låseklammer- 26
 Rov sjakkel gp med låsesplint- 27
 Rundsling- 176
 Rustfri hjertekause- 139
 Rørkause, blå- 141
 Rørkause, rustfri- 140

S
 D-sjakkel, anker- 13
 D-sjakkel bolt/mutter heavy duty gp- 18, 19
 D-sjakkel bolt/mutter standard gp- 29
 D-sjakkel forsenknings bolt gp- 15
 D-sjakkel galvanisert med øye- 12
 D-sjakkel rustfri aisi 316 bolt/mutter- 14
 D-sjakkel, rustfrie med øye- 13
 D-sjakkel skru/bolt thiele- 17
 D-sjakkel thiele spesial etter din 82101 forsenknings bolt- 16
 Fortøynings sjakkel- 20
 Fortøynings sjakkel bolt/mutter gp for bruk ved ekstreme klimatiske forhold- 21
 Gaffel sikkerhetskrok excel grad 10- 60
 Greenpin/redpin d-sjakkel, bolt og mutter- 10
 Greenpin/redpin d sjakkel, firkant- 11
 Greenpin/redpin sjakkel, bolt og mutter- 4
 Greenpin/redpin sjakkel, firkant- 5
 H-sjakkel bolt/mutter standard gp- 7
 H-sjakkel forsenknings bolt gp- 6
 H-sjakkel rustfri aisi 316 bolt/mutter- 8
 H-sjakkel rustfri aisi 316 skru-bolt- 8, 9
 H-sjakkel selstad- 6
 Maxiflex/silver 3-slått- 192
 Polar sjakkel bolt/mutter gp- 22
 Polar sjakkel bolt/mutter gp for bruk ved ekstreme klimatiske forhold- 25
 Sapphire excel plus- 236
 Service- 321
 Service- 253
 Sicor hot melt- 239
 Sikkerhetskrok- 37
 Sikkerhetskrok bk- 33, 34
 Sikkerhetskrok bkg grabiq- 58
 Sikkerhetskrok bkl- 37, 38
 Sikkerhetskrok bk-sp- 33
 Sikkerhetskrok excel en1677-3 grade 8- 35
 Sikkerhetskrok excel grade 8- 36
 Sjakler- 3

Slepekrok boss duo safe- 148
 Sling sikkerhetskrok svivel excel en1677-2 grade 8- 39
 Sling sjakkel bolt/mutter gp- 23
 Slippfiske- 55
 Slippkrok- 55
 Smettløyke, crom- 49
 Smettløyke, rustfri- 49
 Smettløyke dv selstad- 47
 Smettløyke dl 18 - 22- 48
 Smettløyke dl 26 - 28- 48
 Smettløyke, dv viking- 47
 Snurpenot- 262, 263, 264
 Snurperinger boss 10/13 s type- 150
 Snurperinger boss 220/285- 147
 Snurperinger boss sr- 146
 Snurpering selstad- 149
 Snurrevad bly - 3-slått- 203
 Socket spelter , kort bue lukket- 131
 Sondekabel 11,0 mm- 291
 Sondekabel 11,43 mm- 291
 Sorteringsrister- 288
 Sorteringsrister sort v- 289
 Spennbjørn for kjetting- 172
 Spett- 178
 Spleisestikke- 184
 Spleising av wire- 123, 320
 Spoling av wire- 123, 320
 Stopskiver- 286
 Streamline nett- 234
 Strekkfisk, galvanisert- 166
 Strekkfisk polar sjakkel-sjakkel gp
 Bolt mutter etter astm f1145-92- 167
 Strekkfisk-rigging åpent- 171
 Strekkfisk, rustfri- 166
 Strekkfisk øye-krok gp etter astm F1145-92- 169, 170
 Strekkfisk øye-øye gp etter Astm f1145-92- 168
 Ståldanline 4 - slått med ståltråd- 202
 Svivel-gaffel sikkerhetskrok excel en1677-3 grade 8- 61
 Svivel, konisk, stål- 157
 Svivel, konisk stål a810/12/17- 156
 Svivel, rustfri stål- 155
 Svivel, rustfri stål, flex- 155
 Svivel sikkerhetskrok excel en1677-3 grade 8- 38
 Svivel, type sw33stil sw60s- 156
 V-sjakkel, firkant- 20

T
 Flettet pe - tråd- 216
 Flettet saphire - tråd- 217
 Flettet sng - tråd- 217
 Hotline 11 mm- 206
 Hydrodynamiske trålkuler- 224
 North sea 11 mm- 206
 Nylon tau- 208
 Nylontau 3-slått hvit- 195
 Nylontråd- 215, 216
 Selstad 444 trål- 271
 Selstad 470 trål- 270
 Selstad 520 trål- 269
 Selstad 536 streamline trål- 268
 Selstad 630 streamline trål- 267
 Selstad 810 streamline trål- 266
 Selstad camaro reketrål- 272
 Selstad pelagisk trål- 273

Taljer, blokker og vinsjer- 63
 Talurit- 124
 Tape- 178
 Tau- 189
 Terminaler med gjenger- 172
 Termdress- 306
 Terylenetau 3-slått- 196
 Tirfor wiretalje- 77
 Tråldører
 Roller clump- 282
 Tråldører- 274
 Trål dører - apollo xstream- 280
 Trål dør - type 14 standard model- 275, 276, 277
 Trål dør - type 15 vf model- 278, 279
 Trål dør - type 20 vf model- 279
 Trawl door - oval type 16- 281
 Trålkuler- 224
 Triangel- 287
 Tusj- 185
 X-flettet terylene- 214

U
 Uc nett- 238
 Undertøy- 309
 Utstyr til rensefisk- 258
 X-flettet ulstron- 214

V
 Verktøy- 175
 Vernehjelm kask plasma aq- 311
 Vernehjelm kask plasma havis- 311
 Verneutstyr- 310
 Viking- 297
 Viking flyteprodukter- 303
 Viking plus- 236
 Vinsj for veggmontering 61/62- 78
 Visir- 312

W
 3 X 19s + fc- 101
 3 X 36ws + fc- 102
 6 X 25fi + iwrc- 103
 6 X 36v + iwrc(k)- 104
 6 X 36ws + fc- 105
 6 X 36ws + iwrc- 106
 6 X 36ws + iwrc- 99
 6 X 41ak + iwrc- 100
 8 X 26v + 6vt- 107
 8 X 31ws + iwrc- 108
 8 X 36v + iwrc(k)- 109
 Oliveira green strand, 6x19 fiberkjerne- 118
 Oliveira green strand, 6x19 stålkjerne- 118
 Oliveira super atlantic, 6x26k fiberkjerne- 120
 Oliveira super atlantic, 6x26k stålkjerne- 120
 Oliveira super yellow fin, fiberkjerne- 119
 Oliveira super yellow fin, stålkjerne- 119
 Oliveira zinal compact, 6x26sw - cwr stålkjerne- 121
 Oliveira zinal compact, 6x26sw - fc fiberkjerne- 121
 Snurpelina oliveira seine 6x22- 122
 Socket, spelter lukket gp- 128
 Socket, spelter åpen sjakkel bolt/mutter gp- 129
 Soliflex, compacted strands 32 x 7- 110
 Triflex 32x7- 111
 Triflex 37x7- 113
 Triflex, compacted strands 37x7- 112
 Wedge socket, åpen bolt/mutter- 130

Wire, 6x19, galvanisert- 114
 Wire, 6x24, galvanisert- 115
 Wire, 6x36, galvanisert- 116
 Wire, 35x7 rotasjonsfattig- 116
 Wireklemme etter din 741- 127
 Wireklemme gp etter en13411-5 type b- 126
 Wirelås, galvanisert- 125
 Wirelås, ironingrip- 125
 Wirelås, rustfri- 125
 Wire, rustfri iwrc- 117
 Wiresaks- 183
 Wire, socket
 og talurit- 97
 Wireterminal- 132

X
 X2 ultra, kvadratflettet- 193

Y
 Yoke koblingsledd- 92
 Yo-yo krok- 56

Z
 Zodiac- 297





Index

SELSTAD



SELSTAD AS
Moldøen
PB 163, 6701 Måløy
Org nr: 937029349

SENTRALBORD
T: 57 85 25 00
F: 57 85 25 25
E: selstad@selstad.no

www.selstad.no